

AKRON



AKRON ELECTRIC, INC.

A division of the Akron Foundry Co.

Explosion-Proof Enclosures & Electrical Systems



Quality Products for Hazardous Locations



Certificate Number 03.059.1

ISO 9001 With Design



Company History

Akron Electric, Inc. is a division of the Akron Foundry Company, an aluminum foundry specializing in sand, permanent mold and low-pressure permanent mold castings. The foundry was started by George Ostich in 1950 and today employs over two hundred individuals. The foundry is a major supplier of breakaway transformer bases to the highway lighting industry both domestically and internationally.

Akron Foundry is a fully captive foundry servicing a multitude of industries that require aluminum castings. The growth of the company has brought in a third generation of family members to become very involved in the everyday business operations.

Akron Electric was started in 1982 and today operates as one of four production plants in the Akron Foundry organization. The company maintains a friendly and service-oriented work environment while conducting business with customers around the globe. Our lead times are extremely competitive to industry standards while maintaining products of highest quality.

We appreciate your interest in our company and look forward to hearing from you.

Sincerely,

Akron Electric Management Team



Akron Electric, Inc.

Table of Contents



Introduction to Akron Electric & Hazardous Locations.....pgs. 3-24

Explosion-Proof Junction Boxes.....pgs. 25-46

- AXJ Series - External Flange
- AXJ-FCS Series - External Flange Flat Cover
- EXI Series - Internal Flange
- AXI Series - Internal Flange
- XJATS Series - Solid Screw Top
- XJATG Series - Glass Screw Top Metering Enclosure
- XJATD Series - Domed Screw Top

Explosion-Proof Control Stations...pgs. 47-84

- CXJ Series - External Flange
- CXJ-FCS Series - External Flange Flat Cover
- CXI Series - Internal Flange
- CXI Series - Pendant Stations
- XJIH Series - Instrument Housing
- XJIHD Series - Dual-Sided Instrument Housing
- XJCTS Series - Solid Screw Top
- XJCTG Series - Glass Screw Top
- XJCTD Series - Domed Screw Top

XP Pilot Device Series.....pgs. 85-113

- Explosion-proof Pilot Devices and Mini Operators

Explosion-Proof Panel Boards.....pgs. 114-122

- CXJ-FC - Lighting & Power Distribution

Explosion-Proof Circuit Breakers & Disconnects..pgs. 123-129

- XCB Series - Circuit Breaker
- XND Series - Non-Fused Disconnect
- XFD Series - Fused Disconnect

Explosion-Proof Motor Control...pgs. 130-150

- XNAS/XRAS - Across the Line Motor Starters
- XNTC/XNMC - Non-Reversing Magnetic Combo Starters
- XRTC/XRMC - Reversing Magnetic Combo Starters

Explosion-Proof Fittings.....pgs. 151-159

- AXC Series - Conduit Outlet Boxes
- GR Series - Conduit Outlet Bodies
- EYS Series - Sealing Fittings
- TU Series - Conduit Unions

Note: The information in this catalog is subject to change at any time. All dimensions and drawings are for reference only. AKRON ELECTRIC is not responsible for any errors within this catalog. All data, images, drawings, dimensions, etc. were provided with the best information available at the time of the creation of this piece of literature and is being provided to the market in good faith.

Note: When "C/F" is referenced in this catalog, this indicates "Consult Factory."

I
N
T
R
O

 X
P

 J
U
N
C
T
I
O
N

 B
O
X
E
S

 X
P

 C
O
N
T
R
O
L

 S
T
A
T
I
O
N
S

 X
P
&
X
M

 X
P

 P
B

 X
P

 C
B

 &

 D
I
S
C

 X
P

 M
O
T
O
R

 S
T

 X
P

 F
I
T
T
I
N
G
S



Akron Electric Product Index

Part Number	Page Number	Part Number	Page Number	Part Number	Page Number
1985AAB	23	AXJ4164-FCS	31	AXJ8106-FCS	31
1985ABB	23	AXJ664	27	AXJ8108	27
1989AAB	23	AXJ664-CEN	27	AXJ8108-CEN	27
1989ABB	23	AXJ664-FCS	31	AXJ8108-FCS	31
2003AAB	23, 104	AXJ684	27	AXJ8124	27
2003ABB	23, 104	AXJ684-CEN	27	AXJ8124-CEN	27
2003ACB	23, 104	AXJ684-FCS	31	AXJ8124-FCS	31
(2) 2003ACB	23, 104	AXJ685	27	AXJ8126	27
(3) 2003ACB	23, 104	AXJ685-CEN	27	AXJ8126-CEN	27
(4) 2003ACB	23, 104	AXJ685-FCS	31	AXJ8126-FCS	31
2003ADB	23, 104	AXJ686	27	AXJ8128	27
2003AEB	23, 104	AXJ686-CEN	27	AXJ8128-CEN	27
2003AFB	23, 104	AXJ686-FCS	31	AXJ8128-FCS	31
2003AGB	23, 104	AXJ6104	27	AXJ9115	27
2003AHB	23, 104	AXJ6104-CEN	27	AXJ9115-CEN	27
2003AJB	23, 104	AXJ6104-FCS	31	AXJ9115-FCS	31
2003AKB	23, 104	AXJ6115	27	AXJ10104	27
2003ALB	23, 104	AXJ6115-CEN	27	AXJ10104-CEN	27
2003AMB	23, 104	AXJ6115-FCS	31	AXJ10104-FCS	31
2003ANB	23, 104	AXJ6124	27	AXJ10106	27
2114AAB	23	AXJ6124-CEN	27	AXJ10106-CEN	27
2127AAB	23	AXJ6124-FCS	31	AXJ10106-FCS	31
2147AAB	23	AXJ6126	27	AXJ10108	27
2294AAB	23	AXJ6126-CEN	27	AXJ10108-CEN	27
2295AAB	23	AXJ6126-FCS	31	AXJ10108-FCS	31
2296AAB	23	AXJ6135	27	AXJ10144	27
2297AAB	23	AXJ6135-CEN	27	AXJ10144-CEN	27
2BD	23, 35, 58	AXJ6135-FCS	31	AXJ10144-FCS	31
AE1	23	AXJ6164	27	AXJ10146	27
AE2	23	AXJ6164-CEN	27	AXJ10146-CEN	27
AE3	23	AXJ6164-FCS	31	AXJ10146-FCS	31
AXCC	153	AXJ6186	27	AXJ10148	27
AXCC-CEN	153	AXJ6186-CEN	27	AXJ10148-CEN	27
AXCCB	153	AXJ6186-FCS	31	AXJ10148-FCS	31
AXCCB-CEN	153	AXJ6485	27	AXJ12124	27
AXCLB	153	AXJ6485-CEN	27	AXJ12124-CEN	27
AXCL-CEN	153	AXJ6485-FCS	31	AXJ12124-FCS	31
AXCL	153	AXJ7104	27	AXJ12126	27
AXCLB-CEN	153	AXJ7104-CEN	27	AXJ12126-CEN	27
AXCT	153	AXJ7104-FCS	31	AXJ12126-FCS	31
AXCT-CEN	153	AXJ7106	27	AXJ12126LW	27
AXCTB	153	AXJ7106-CEN	27	AXJ12126LW-CEN	27
AXCTB-CEN	153	AXJ7106-FCS	31	AXJ12126LW-FCS	31
AXCX	153	AXJ7185	27	AXJ12128	27
AXCX-CEN	153	AXJ7185-CEN	27	AXJ12128-CEN	27
AXCXB	153	AXJ7185-FCS	31	AXJ12128-FCS	31
AXCXB-CEN	153	AXJ884	27	AXJ12184	27
AXI 333	41	AXJ884-CEN	27	AXJ12184-CEN	27
AXI 363	41	AXJ884-FCS	31	AXJ12184-FCS	31
AXI 373	41	AXJ886	27	AXJ12186	27
AXI 393	41	AXJ886-CEN	27	AXJ12186-CEN	27
AXI 3113	41	AXJ886-FCS	31	AXJ12186-FCS	31
AXI 3133	41	AXJ888	27	AXJ12188	27
AXI 3153	41	AXJ888-CEN	27	AXJ12188-CEN	27
AXI 3183	41	AXJ888-FCS	31	AXJ12188-FCS	31
AXI 484	41	AXJ8104	27	AXJ12205	27
AXI 6104	41	AXJ8104-CEN	27	AXJ12205-CEN	27
AXI 6174	41	AXJ8104-FCS	31	AXJ12205-FCS	31
AXI 6244	41	AXJ8106	27	AXJ12244	27
AXI 6304	41	AXJ8106-CEN	27	AXJ12244-CEN	27
AXJ4164	27				
AXJ4164-CEN	27				

Akron Electric, Inc.

Manufacturers of Explosion-Proof Enclosures & Electrical Systems

Akron Electric Product Index

I
N
T
R
O

Part Number	Page Number	Part Number	Page Number	Part Number	Page Number
AXJ12244-FCS	31	AXJ18184-FCS	32	CXI 3133	68
AXJ12246	27	AXJ18186	28	CXI 3133-E1-E8-N4-N5	71
AXJ12246-CEN	27	AXJ18186-CEN	28	CXI 3153	68
AXJ12246-FCS	31	AXJ18186-FCS	32	CXI 3153-E1-E8-N4-N5	71
AXJ12248	27	AXJ18188	28	CXI 3183	68
AXJ12248-CEN	27	AXJ18188-CEN	28	CXI 3183-E1-E8-N4-N5	71
AXJ12248-FCS	31	AXJ18188-FCS	32	CXI 484	68, 149
AXJ122410	27	AXJ18246	28	CXI 6104	68
AXJ122410-CEN	27	AXJ18246-CEN	28	CXI 6174	68
AXJ122410-FCS	31	AXJ18246-FCS	32	CXI 6244	68
AXJ12306	27	AXJ18248	28	CXI 6304	68
AXJ12306-CEN	27	AXJ18248-CEN	28	CXJ4164	49
AXJ12306-FCS	31	AXJ18248-FCS	32	CXJ4164-CEN	49
AXJ12364	28	AXJ182410	28	CXJ4164-FCS	53
AXJ12364-CEN	28	AXJ182410-CEN	28	CXJ664	49
AXJ12364-FCS	32	AXJ182410-FCS	32	CXJ664-CEN	49
AXJ12366	28	AXJ18308	28	CXJ664-FCS	53
AXJ12366-CEN	28	AXJ18308-CEN	28	CXJ684	49
AXJ12366-FCS	32	AXJ18308-FCS	32	CXJ684-CEN	49
AXJ12368	28	AXJ18368	28	CXJ684-FCS	53
AXJ12368-CEN	28	AXJ18368-CEN	28	CXJ685	49
AXJ12368-FCS	32	AXJ18368-FCS	32	CXJ685-CEN	49
AXJ12468	28	AXJ183610	28	CXJ685-FCS	53
AXJ12468-CEN	28	AXJ183610-CEN	28	CXJ686	49
AXJ12468-FCS	32	AXJ183610-FCS	32	CXJ686-CEN	49
AXJ14144	28	AXJ24248	28	CXJ686-FCS	53
AXJ14144-CEN	28	AXJ24248-CEN	28	CXJ6104	49
AXJ14144-FCS	32	AXJ24248-FCS	32	CXJ6104-CEN	49
AXJ14146	28	AXJ242410	28	CXJ6104-FCS	53
AXJ14146-CEN	28	AXJ242410-CEN	28	CXJ6115	49
AXJ14146-FCS	32	AXJ242410-FCS	32	CXJ6115-CEN	49
AXJ14148	28	AXJ24308	28	CXJ6115-FCS	53
AXJ14148-CEN	28	AXJ24308-CEN	28	CXJ6124	49
AXJ14148-FCS	32	AXJ24308-FCS	32	CXJ6124-CEN	49
AXJ14286	28	AXJ24368	28	CXJ6124-FCS	53
AXJ14286-CEN	28	AXJ24368-CEN	28	CXJ6126	49
AXJ14286-FCS	32	AXJ24368-FCS	32	CXJ6126-CEN	49
AXJ16164	28	AXJ243610	28	CXJ6126-FCS	53
AXJ16164-CEN	28	AXJ243610-CEN	28	CXJ6135	49
AXJ16164-FCS	32	AXJ243610-FCS	32	CXJ6135-CEN	49
AXJ16166	28	AXJ323612	28	CXJ6135-FCS	53
AXJ16166-CEN	28	AXJ346810	28	CXJ6164	49
AXJ16166-FCS	32	AXJ38388	28	CXJ6164-CEN	49
AXJ16168	28	AXJ383816	28	CXJ6164-FCS	53
AXJ16168-CEN	28	BD	23, 35, 58, 159	CXJ6186	49
AXJ16168-FCS	32	C1	58	CXJ6186-CEN	49
AXJ16246	28	C2	58	CXJ6186-FCS	53
AXJ16246-CEN	28	C4	58	CXJ6485	49
AXJ16246-FCS	32	C5	58	CXJ6485-CEN	49
AXJ16248	28	C8	58	CXJ6485-FCS	53
AXJ16248-CEN	28	C10	58	CXJ7104	49
AXJ16248-FCS	32	CXI 333	68	CXJ7104-CEN	49
AXJ162410	28	CXI 363	68	CXJ7104-FCS	53
AXJ162410-CEN	28	CXI 363-MOD	149	CXJ7106	49
AXJ162410-FCS	32	CXI 373	68	CXJ7106-CEN	49
AXJ164610	28	CXI 373-E1-E8-N4-N5	71	CXJ7106-FCS	53
AXJ164610-CEN	28	CXI 393	68	CXJ7185	49
AXJ164610-FCS	32	CXI 393-E1-E8-N4-N5	71	CXJ7185-CEN	49
AXJ18184	28	CXI 3113	68	CXJ7185-FCS	53
AXJ18184-CEN	28	CXI 3113-E1-E8-N4-N5	71		



Akron Electric Product Index

Part Number	Page Number	Part Number	Page Number	Part Number	Page Number
CXJ884	49	CXJ12184	49	CXJ161812	50
CXJ884-CEN	49	CXJ12184-CEN	49	CXJ16246	50
CXJ884-FCS	53	CXJ12184-FCS	53	CXJ16246-CEN	50
CXJ886	49	CXJ12186	49	CXJ16246-FCS	54
CXJ886-CEN	49	CXJ12186-CEN	49	CXJ16248	50
CXJ886-FCS	53	CXJ12186-FCS	53	CXJ16248-CEN	50
CXJ888	49	CXJ12188	49	CXJ16248-FCS	54
CXJ888-CEN	49	CXJ12188-CEN	49	CXJ162410	50
CXJ888-FCS	53	CXJ12188-FCS	53	CXJ162410-CEN	50
CXJ8104	49	CXJ12205	49	CXJ162410-FCS	54
CXJ8104-CEN	49	CXJ12205-CEN	49	CXJ164610	50
CXJ8104-FCS	53	CXJ12205-FCS	53	CXJ164610-CEN	50
CXJ8106	49	CXJ12244	49	CXJ164610-FCS	54
CXJ8106-CEN	49	CXJ12244-CEN	49	CXJ18184	50
CXJ8106-FCS	53	CXJ12244-FCS	53	CXJ18184-CEN	50
CXJ8108	49	CXJ12246	49	CXJ18184-FCS	54
CXJ8108-CEN	49	CXJ12246-CEN	49	CXJ18186	50
CXJ8108-FCS	53	CXJ12246-FCS	53	CXJ18186-CEN	50
CXJ8124	49	CXJ12248	49	CXJ18186-FCS	54
CXJ8124-CEN	49	CXJ12248-CEN	49	CXJ18188	50
CXJ8124-FCS	53	CXJ12248-FCS	53	CXJ18188-CEN	50
CXJ8126	49	CXJ122410	49	CXJ18188-FCS	54
CXJ8126-CEN	49	CXJ122410-CEN	49	CXJ18246	50
CXJ8126-FCS	53	CXJ122410-FCS	53	CXJ18246-CEN	50
CXJ8128	49	CXJ12306	49	CXJ18246-FCS	54
CXJ8128-CEN	49	CXJ12306-CEN	49	CXJ18248	50
CXJ8128-FCS	53	CXJ12306-FCS	53	CXJ18248-CEN	50
CXJ9115	49	CXJ12364	50	CXJ18248-FCS	54
CXJ9115-CEN	49	CXJ12364-CEN	50	CXJ182410	50
CXJ9115-FCS	53	CXJ12364-FCS	54	CXJ182410-CEN	50
CXJ10104	49	CXJ12366	50	CXJ182410-FCS	54
CXJ10104-CEN	49	CXJ12366-CEN	50	CXJ182412	50
CXJ10104-FCS	53	CXJ12366-FCS	54	CXJ18308	50
CXJ10106	49	CXJ12368	50	CXJ18308-CEN	50
CXJ10106-CEN	49	CXJ12368-CEN	50	CXJ18308-FCS	54
CXJ10106-FCS	53	CXJ12368-FCS	54	CXJ18368	50
CXJ10108	49	CXJ12468	50	CXJ18368-CEN	50
CXJ10108-CEN	49	CXJ12468-CEN	50	CXJ18368-FCS	54
CXJ10108-FCS	53	CXJ12468-FCS	54	CXJ183610	50
CXJ10144	49	CXJ14144	50	CXJ183610-CEN	50
CXJ10144-CEN	49	CXJ14144-CEN	50	CXJ183610-FCS	54
CXJ10144-FCS	53	CXJ14144-FCS	54	CXJ24248	50
CXJ10146	49	CXJ14146	50	CXJ24248-CEN	50
CXJ10146-CEN	49	CXJ14146-CEN	50	CXJ24248-FCS	54
CXJ10146-FCS	53	CXJ14146-FCS	54	CXJ242410	50
CXJ10148	49	CXJ14148	50	CXJ242410-CEN	50
CXJ10148-CEN	49	CXJ14148-CEN	50	CXJ242410-FCS	54
CXJ10148-FCS	53	CXJ14148-FCS	54	CXJ24308	50
CXJ12124	49	CXJ14286	50	CXJ24308-CEN	50
CXJ12124-CEN	49	CXJ14286-CEN	50	CXJ24308-FCS	54
CXJ12124-FCS	53	CXJ14286-FCS	54	CXJ24368	50
CXJ12126	49	CXJ16164	50	CXJ24368-CEN	50
CXJ12126-CEN	49	CXJ16164-CEN	50	CXJ24368-FCS	54
CXJ12126-FCS	53	CXJ16164-FCS	54	CXJ243610	50
CXJ12126LW	49	CXJ16166	50	CXJ243610-CEN	50
CXJ12126LW-CEN	49	CXJ16166-CEN	50	CXJ243610-FCS	54
CXJ12126LW-FCS	53	CXJ16166-FCS	54	CXJ323612	50
CXJ12128	49	CXJ16168	50	CXJ346810	50
CXJ12128-CEN	49	CXJ16168-CEN	50	CXJ38388	50
CXJ12128-FCS	53	CXJ16168-FCS	54	CXJ383816	50

Akron Electric, Inc.

Manufacturers of Explosion-Proof Enclosures & Electrical Systems

Akron Electric Product Index

I
N
T
R
O

Part Number	Page Number	Part Number	Page Number	Part Number	Page Number
E1	35, 58	GREZ-0588	155	RP2	23, 58
E2	35, 58	GREZ-0599	155	RP3	23, 58
E3	35, 58	GREZ-0604	155	RP4	23, 58
E4	58	GRL-0439	155	RP5	23, 58
E5	58	GRL-0440	155	RP6	23, 58
E8	58	GRL-0546	155	RP7	23, 58
E9	58	GRL-0558	155	RP8	23, 58
EXI684	39	GRL-0576	155	RP9	23, 58
EXI886	39	GRL-0591	155	RP10	23, 58
EXI8126	39	GRLZ-0460	155	TU-2992	158
EXI8148	39	GRLZ-0461	155	TU-2992-N	158
EXI12126	39	GRLZ-0573	155	TU-2993	158
EYS-0452	157	GRLZ-0574	155	TU-2993-N	158
EYS-0452-N	157	GRLZ-0577	155	TU-2994	158
EYS-0453	157	GRLZ-0592	155	TU-2994-N	158
EYS-0453-N	157	GRT-0441	155	TU-2995	158
EYS-0550	157	GRT-0442	155	TU-2995-N	158
EYS-0550-N	157	GRT-0450	155	TU-2996	158
EYS-2633	157	GRT-0547	155	TU-2996-N	158
EYS-2633-N	157	GRT-0559	155	TU-2997	158
EYS-2634	157	GRT-0578	155	TU-2997-N	158
EYS-2634-N	157	GRT-0585	155	XBD-50	159
EYS-2635	157	GRT-0593	155	XCB-*	125
EYS-2635-N	157	GRT-0595	155	XCB1-122015*	126
FS	23	GRT-0601	155	XCB1-122020*	126
G1	58, 60	GRT-0606	155	XCB1-122025*	126
G2	58, 60	GRTZ-0462	155	XCB1-122030*	126
G3	58, 60	GRTZ-0463	155	XCB1-122035*	126
G4	58, 60	GRTZ-0555	155	XCB1-122040*	126
G5	58, 60	GRTZ-0560	155	XCB1-122050*	126
G6	58, 60	GRTZ-0579	155	XCB1-122060*	126
G7	58, 60	GRTZ-0594	155	XCB1-124015*	126
G8	58, 60	GRX-0449	155	XCB1-124020*	126
GRB-0445	155	GRXZ-0468	155	XCB1-124025*	126
GRB-0446	155	GRXZ-0469	155	XCB1-124030*	126
GRB-0584	155	GRXZ-0586	155	XCB1-124035*	126
GRB-0597	155	GRXZ-0596	155	XCB1-124040*	126
GRB-0600	155	GRXZ-0602	155	XCB1-124050*	126
GRB-0605	155	GRXZ-0607	155	XCB1-124060*	126
GRC-0443	155	H1	35,36,37,58,61,62	XCB1-132015*	126
GRC-0444	155	HC1	35,36,37,58,61,62	XCB1-132020*	126
GRC-0556	155	H2	35,36,37,58,61,62	XCB1-132025*	126
GRC-0561	155	H3	35,36,37,58,61,62	XCB1-132030*	126
GRC-0580	155	HL	58	XCB1-132035*	126
GRC-0589	155	JN6	58	XCB1-132040*	126
GRCZ-0464	155	K+	58	XCB1-132050*	126
GRCZ-0465	155	MN6	23, 58, 113	XCB1-132060*	126
GRCZ-0557	155	MS	58	XCB1-134015*	126
GRCZ-0562	155	MSR	58	XCB1-134020*	126
GRCZ-0581	155	MSD	58	XCB1-134025*	126
GRCZ-0590	155	N1	35, 58	XCB1-134030*	126
GRE-0447	155	N2	35, 58	XCB1-134035*	126
GRE-0448	155	N3	35, 58	XCB1-134040*	126
GRE-0582	155	N4	35, 58	XCB1-134050*	126
GRE-0587	155	N5	35, 58	XCB1-134060*	126
GRE-0598	155	N6	23, 35, 58, 113	XCB1-1526015*	126
GRE-0603	155	N7	23, 58, 113	XCB1-1526020*	126
GREZ-0466	155	N8	23, 58, 113	XCB1-1526025*	126
GREZ-0467	155	R3	23, 58	XCB1-1526030*	126
GREZ-0583	155	RP1	23, 58	XCB1-1526035*	126



Akron Electric, Inc.

Manufacturers of Explosion-Proof Enclosures & Electrical Systems

Akron Electric Product Index

INTRO

Part Number	Page Number	Part Number	Page Number	Part Number	Page Number
XCB1-1526040*	126	XCB4-236090*	127	XJAT8D20	46
XCB1-1526050*	126	XCB4-236100*	127	XJAT9D6	46
XCB1-1526060*	126	XCB4-236100*	127	XJAT9D12	46
XCB1-1536015*	126	XCB4-236125*	127	XJAT9D20	46
XCB1-1536020*	126	XCB4-236125*	127	XJAT11D6	46
XCB1-1536025*	126	XCB4-236150*	127	XJAT11D12	46
XCB1-1536030*	126	XCB4-236150*	127	XJAT11D20	46
XCB1-1536035*	126	XCB4-236175*	127	XJAT12D4	46
XCB1-1536040*	126	XCB4-236175*	127	XJAT12D8	46
XCB1-1536050*	126	XCB4-236200*	127	XJAT12D12	46
XCB1-1536060*	126	XCB4-236200*	127	XJATG0	44
XCB2-122070*	126	XCB4-236225*	127	XJATG0-CEN	44
XCB2-122080*	126	XCB4-236225*	127	XJATG1	44
XCB2-122090*	126	XCB4-236250*	127	XJATG1-CEN	44
XCB2-122100*	126	XCB4-236250*	127	XJATG2	44
XCB2-124070*	126	XCB6-626450*	127	XJATG2-CEN	44
XCB2-124080*	126	XCB6-626500*	127	XJATG3	44
XCB2-124090*	126	XCB6-626600*	127	XJATG3-CEN	44
XCB2-124100*	126	XCB6-636450*	127	XJATG4	44
XCB2-132070*	126	XCB6-636500*	127	XJATG4-CEN	44
XCB2-132080*	126	XCB6-636600*	127	XJATG5	44
XCB2-132090*	126	XCB7-826300*	127	XJATG5-CEN	44
XCB2-132100*	126	XCB7-826350*	127	XJATG6	44
XCB2-134070*	126	XCB7-826400*	127	XJATG6-CEN	44
XCB2-134080*	126	XCB7-826450*	127	XJATG7	44
XCB2-134090*	126	XCB7-826500*	127	XJATG7-CEN	44
XCB2-134100*	126	XCB7-826600*	127	XJATG8	44
XCB2-1526070*	126	XCB7-826700*	127	XJATG8-CEN	44
XCB2-1526080*	126	XCB7-826800*	127	XJATG9	44
XCB2-1526090*	126	XCB7-836300*	127	XJATG9-CEN	44
XCB2-1526100*	126	XCB7-836350*	127	XJATG10	44
XCB2-1536070*	126	XCB7-836400*	127	XJATG10-CEN	44
XCB2-1536080*	126	XCB7-836450*	127	XJATG11	44
XCB2-1536090*	126	XCB7-836500*	127	XJATG11-CEN	44
XCB2-1536100*	126	XCB7-836600*	127	XJATG12	44
XCB3-1526125*	126	XCB7-836700*	127	XJATG12-CEN	44
XCB3-1526150*	126	XCB7-836800*	127	XJATS0	43
XCB3-1536125*	126	XFD8-136030*	128	XJATS0-CEN	43
XCB3-1536150*	126	XFD8-136060*	128	XJATS1	43
XCB4-226070*	127	XFD9-136100*	128	XJATS1-CEN	43
XCB4-226070*	127	XJAT2D4	46	XJATS2	43
XCB4-226090*	127	XJAT2D8	46	XJATS2-CEN	43
XCB4-226090*	127	XJAT2D12	46	XJATS3	43
XCB4-226100*	127	XJAT3D4	46	XJATS3-CEN	43
XCB4-226100*	127	XJAT3D8	46	XJATS4	43
XCB4-226125*	127	XJAT3D12	46	XJATS4-CEN	43
XCB4-226125*	127	XJAT4D4	46	XJATS5	43
XCB4-226150*	127	XJAT4D8	46	XJATS5-CEN	43
XCB4-226150*	127	XJAT4D12	46	XJATS6	43
XCB4-226175*	127	XJAT5D4	46	XJATS6-CEN	43
XCB4-226175*	127	XJAT5D12	46	XJATS7	43
XCB4-226200*	127	XJAT5D20	46	XJATS7-CEN	43
XCB4-226200*	127	XJAT6D4	46	XJATS8	43
XCB4-226225*	127	XJAT6D12	46	XJATS8-CEN	43
XCB4-226225*	127	XJAT6D20	46	XJATS9	43
XCB4-226250*	127	XJAT7D4	46	XJATS9-CEN	43
XCB4-226250*	127	XJAT7D12	46	XJATS10	43
XCB4-236070*	127	XJAT7D20	46	XJATS10-CEN	43
XCB4-236070*	127	XJAT8D6	46	XJATS11	43
XCB4-236090*	127	XJAT8D12	46	XJATS11-CEN	43

Akron Electric, Inc.

Manufacturers of Explosion-Proof Enclosures & Electrical Systems

Akron Electric Product Index

I
N
T
R
O

Part Number	Page Number	Part Number	Page Number	Part Number	Page Number
XJATS12	43	XJCTG12-CEN	82	XJIHG4-CEN	76
XJATS12-CEN	43	XJCTG14	82	XJIHG5	77
XJCT2D4	84	XJCTG14-CEN	82	XJIHG5-CEN	77
XJCT2D8	84	XJCTS0	81	XJIHS05	73
XJCT2D12	84	XJCTS0-CEN	81	XJIHS05-CEN	73
XJCT3D4	84	XJCTS1	81	XJIHS1	73
XJCT3D8	84	XJCTS1-CEN	81	XJIHS1-CEN	73
XJCT3D12	84	XJCTS2	81	XJIHS15	74
XJCT4D4	84	XJCTS2-CEN	81	XJIHS15-CEN	74
XJCT4D8	84	XJCTS3	81	XJIHS2	75
XJCT4D12	84	XJCTS3-CEN	81	XJIHS2-CEN	75
XJCT5D4	84	XJCTS4	81	XJIHS4	76
XJCT5D12	84	XJCTS4-CEN	81	XJIHS4-CEN	76
XJCT5D20	84	XJCTS5	81	XJIHS5	77
XJCT6D4	84	XJCTS5-CEN	81	XJIHS5-CEN	77
XJCT6D12	84	XJCTS6	81	XMPB*	107
XJCT6D20	84	XJCTS6-CEN	81	XMPB*-CEN	107
XJCT7D4	84	XJCTS7	81	XMPL*	105
XJCT7D12	84	XJCTS7-CEN	81	XMR*	109
XJCT7D20	84	XJCTS8	81	XMR*-CEN	109
XJCT8D6	84	XJCTS8-CEN	81	XMSS*	111
XJCT8D12	84	XJCTS9	81	XNAS0-24003*	133
XJCT8D20	84	XJCTS9-CEN	81	XNAS0-24003*	133
XJCT9D6	84	XJCTS10	81	XNAS0-48005*	133
XJCT9D12	84	XJCTS10-CEN	81	XNAS0-60005*	133
XJCT9D20	84	XJCTS11	81	XNAS1-24007*	133
XJCT11D6	84	XJCTS11-CEN	81	XNAS1-24007*	133
XJCT11D12	84	XJCTS12	81	XNAS1-48010*	133
XJCT11D20	84	XJCTS12-CEN	81	XNAS1-60010*	133
XJCT12D4	84	XJCTS14	81	XNAS2-24015*	133
XJCT12D8	84	XJCTS14-CEN	81	XNAS2-24015*	133
XJCT12D12	84	XJIHDG1	79	XNAS2-48025*	133
XJCT14D4	84	XJIHDG1-CEN	79	XNAS2-60025*	133
XJCT14D12	84	XJIHDG15	79	XNAS3-24030*	133
XJCT14D20	84	XJIHDG15-CEN	79	XNAS3-24030*	133
XJCTG0	82	XJIHDG2	79	XNAS3-48050*	133
XJCTG0-CEN	82	XJIHDG2-CEN	79	XNAS3-60050*	133
XJCTG1	82	XJIHDG4	79	XNAS4-24050*	133
XJCTG1-CEN	82	XJIHDG4-CEN	79	XNAS4-24050*	133
XJCTG2	82	XJIHDG5	79	XNAS4-48100*	133
XJCTG2-CEN	82	XJIHDG5-CEN	79	XNAS4-60100*	133
XJCTG3	82	XJIHDS05	79	XNAS5-24100*	133
XJCTG3-CEN	82	XJIHDS05-CEN	79	XNAS5-24100*	133
XJCTG4	82	XJIHDS1	79	XNAS5-48200*	133
XJCTG4-CEN	82	XJIHDS1-CEN	79	XNAS5-60200*	133
XJCTG5	82	XJIHDS15	79	XND1-136030*	128
XJCTG5-CEN	82	XJIHDS15-CEN	79	XND1-136060*	128
XJCTG6	82	XJIHDS2	79	XND2-136100*	128
XJCTG6-CEN	82	XJIHDS2-CEN	79	XND3-236200W*	128
XJCTG7	82	XJIHDS4	79	XNMC0-24001007*	141
XJCTG7-CEN	82	XJIHDS4-CEN	79	XNMC0-24003015*	141
XJCTG8	82	XJIHDS5	79	XNMC0-48001003*	141
XJCTG8-CEN	82	XJIHDS5-CEN	79	XNMC0-48003007*	141
XJCTG9	82	XJIHG1	73	XNMC0-48005015*	141
XJCTG9-CEN	82	XJIHG1-CEN	73	XNMC0-60001003*	141
XJCTG10	82	XJIHG15	74	XNMC0-60003007*	141
XJCTG10-CEN	82	XJIHG15-CEN	74	XNMC0-60005015*	141
XJCTG11	82	XJIHG2	75	XNMC1-24007030*	141
XJCTG11-CEN	82	XJIHG2-CEN	75	XNMC1-48007015*	141
XJCTG12	82	XJIHG4	76	XNMC1-48010030*	141



Akron Electric Product Index

Part Number	Page Number	Part Number	Page Number	Part Number	Page Number
XNMC1-60007015*	141	XNTC5-38125250*	139-140	XPBD-30100-M43P	116
XNMC1-60010030*	141	XNTC5-38150300*	139-140	XPBD-30225-M21P	117
XNMC2-24015050*	141	XNTC5-48125250*	139-140	XPBD-30225-M3P	117
XNMC2-48015030*	141	XNTC5-48150300*	139-140	XPBD-30225-M43P	117
XNMC2-48025050*	141	XNTC5-48200400*	139-140	XPBD-36100-L21P	116
XNMC2-60020030*	141	XNTC5-60150250*	139-140	XPBD-36100-L33P	116
XNMC2-60025050*	141	XNTC5-60200300*	139-140	XPBD-36100-L43P	116
XNMC3-24030100*	141	XP2*	102	XPBE*	122
XNMC3-48030050*	141	XP2*-CEN	102	XPBE-36100-L21P	116
XNMC3-48050100*	141	XP3*	102	XPBE-36100-L33P	116
XNMC3-60040050*	141	XP3*-CEN	102	XPBE-36100-L43P	116
XNMC3-60050100*	141	XPB-B	23	XPBE-36100-M21P	117
XNMC4-24050150*	141	XPB-BU	23	XPBE-36100-M33P	117
XNMC4-48100150*	141	XPB-G	23	XPBE-36100-M43P	117
XNMC4-60060100*	141	XPB-R	23	XPBE-36225-M21P	116
XNMC4-60100150*	141	XPB-Y	23	XPBE-36225-M33P	116
XNMC5-24100400*	141	XPBA*	118	XPBE-36225-M43P	116
XNMC5-48200400*	141	XPBA-12100-L21P	118	XPBE-42100-L21P	116
XNMC5-60125400*	141	XPBA-12100-L33P	118	XPBE-42100-L33P	116
XNMC5-60200400*	141	XPBA-12100-L43P	118	XPBE-42100-L43P	116
XNTC0-24002015*	139-140	XPBB*	116, 119	XPBE-42225-M43P	117
XNTC0-24003020*	139-140	XPBB-12100-M21P	116	XPBL*	92
XNTC0-38003015*	139-140	XPBB-12100-M33P	116	XPBL*-CEN	92
XNTC0-38005020*	139-140	XPBB-12225-M21P	117	XPBS*	92
XNTC0-48003015*	139-140	XPBB-12225-M33P	117	XPBS*-CEN	92
XNTC0-48005020*	139-140	XPBB-18100-L21P	116	XPDBL*	96
XNTC0-60005015*	139-140	XPBB-18100-L33P	116	XPDBL*-CEN	96
XNTC1-24005040*	139-140	XPBB-18100-L43P	116	XPDBS*	96
XNTC1-24007050*	139-140	XPBC*	120	XPDBS*-CEN	96
XNTC1-38010035*	139-140	XPBC-12100-M43P	116	XPIBL*	90
XNTC1-48007030*	139-140	XPBC-18100-M21P	116	XPIBL*-CEN	90
XNTC1-48010035*	139-140	XPBC-18100-M33P	116	XPIBS*	90
XNTC1-60007020*	139-140	XPBC-18100-M43P	116	XPIBS*-CEN	90
XNTC1-60010030*	139-140	XPBC-18225-L21P	116	XPK2*	102
XNTC2-24010050*	139-140	XPBC-18225-L33P	116	XPK2*-CEN	102
XNTC2-24015100*	139-140	XPBC-18225-L43P	116	XPK3*	102
XNTC2-38020050*	139-140	XPBC-18225-M21P	117	XPK3*-CEN	102
XNTC2-38025070*	139-140	XPBC-18225-M33P	117	XPLB12A	23, 87
XNTC2-48020050*	139-140	XPBC-18225-M43P	117	XPLB12B	23, 87
XNTC2-48025070*	139-140	XPBC-24100-L21P	116	XPLB12G	23, 87
XNTC2-60015040*	139-140	XPBC-24100-L33P	116	XPLB12R	23, 87
XNTC2-60025050*	139-140	XPBC-24100-L43P	116	XPLB12W	23, 87
XNTC3-24020100*	139-140	XPBD*	121	XPLB24A	23, 87
XNTC3-24030125*	139-140	XPBD-24100-M21P	116	XPLB24B	23, 87
XNTC3-38050100*	139-140	XPBD-24100-M33P	116	XPLB24G	23, 87
XNTC3-48050100*	139-140	XPBD-24100-M43P	116	XPLB24R	23, 87
XNTC3-60030070*	139-140	XPBD-24225-L21P	116	XPLB24W	23, 87
XNTC3-60050100*	139-140	XPBD-24225-L33P	116	XPLB48A	23, 87
XNTC4-24040175*	139-140	XPBD-24225-L43P	116	XPLB48B	23, 87
XNTC4-24050200*	139-140	XPBD-24225-M21P	117	XPLB48G	23, 87
XNTC4-38060125*	139-140	XPBD-24225-M33P	117	XPLB48R	23, 87
XNTC4-38075150*	139-140	XPBD-24225-M43P	117	XPLB48W	23, 87
XNTC4-48060125*	139-140	XPBD-30100-L21P	116	XPLB120A	23, 87
XNTC4-48075150*	139-140	XPBD-30100-L21P	116	XPLB120B	23, 87
XNTC4-48100200*	139-140	XPBD-30100-L33P	116	XPLB120G	23, 87
XNTC4-60075125*	139-140	XPBD-30100-L3P	116	XPLB120R	23, 87
XNTC4-60100150*	139-140	XPBD-30100-L43P	116	XPLB120W	23, 87
XNTC5-24060250*	139-140	XPBD-30100-L43P	116	XPLB240A	23, 87
XNTC5-24075300*	139-140	XPBD-30100-M21P	116	XPLB240B	23, 87
XNTC5-24100400*	139-140	XPBD-30100-M33P	116	XPLB240G	23, 87

Akron Electric, Inc.

Manufacturers of Explosion-Proof Enclosures & Electrical Systems

Akron Electric Product Index

I
N
T
R
O

Part Number	Page Number	Part Number	Page Number
XPLB240R	23, 87	XRMC3-48030050*	145
XPLB240W	23, 87	XRMC3-48050100*	145
XPLLB*	87	XRMC3-60040050*	145
XPLLB*-CEN	87	XRMC3-60050100*	145
XPLSB*	87	XRMC4-24050150*	145
XPLSB*-CEN	87	XRMC4-48100150*	145
XPP-SSGRD	23	XRMC4-60060100*	145
XPPML*	100	XRMC4-60100150*	145
XPPML*-CEN	100	XRMC5-24100400*	145
XPPMS*	100	XRMC5-48200400*	145
XPPMS*-CEN	100	XRMC5-60125400*	145
XPPPL*	94	XRMC5-60200400*	145
XPPPL*-CEN	94	XRTC0-24002015*	144
XPPPS*	94	XRTC0-24003020*	144
XPPPS*-CEN	94	XRTC0-48003015*	144
XPPTTL*	98	XRTC0-48005020*	144
XPPTTL*-CEN	98	XRTC0-60005015*	144
XPPTTS*	98	XRTC1-24005040*	144
XPPTTS*-CEN	98	XRTC1-24007050*	144
XRAS0-24003*	136	XRTC1-48007030*	144
XRAS0-48005*	136	XRTC1-48010035*	144
XRAS0-60005*	136	XRTC1-60007020*	144
XRAS1-24007*	136	XRTC1-60010030*	144
XRAS1-48010*	136	XRTC2-24010050*	144
XRAS1-60010*	136	XRTC2-24015100*	144
XRAS2-24015*	136	XRTC2-48020050*	144
XRAS2-48025*	136	XRTC2-48025070*	144
XRAS2-60025*	136	XRTC2-60015040*	144
XRAS3-24030*	136	XRTC2-60025050*	144
XRAS3-48050*	136	XRTC3-24020100*	144
XRAS3-60050*	136	XRTC3-24030125*	144
XRAS4-24050*	136	XRTC3-48050100*	144
XRAS4-48100*	136	XRTC3-60030070*	144
XRAS4-60100*	136	XRTC3-60050100*	144
XRAS5-24100*	136	XRTC4-24040175*	144
XRAS5-48200*	136	XRTC4-24050200*	144
XRAS5-60200*	136	XRTC4-48060125*	144
XRBL*	101	XRTC4-48075150*	144
XRBL*-CEN	101	XRTC4-48100200*	144
XRBS*	101	XRTC4-60075125*	144
XRBS*-CEN	101	XRTC4-60100150*	144
XRMC0-24001007*	145	XRTC5-24060250*	144
XRMC0-24003015*	145	XRTC5-24075300*	144
XRMC0-48001003*	145	XRTC5-24100400*	144
XRMC0-48003007*	145	XRTC5-48125250*	144
XRMC0-48005015*	145	XRTC5-48150300*	144
XRMC0-60001003*	145	XRTC5-48200400*	144
XRMC0-60003007*	145	XRTC5-60150250*	144
XRMC0-60005015*	145	XRTC5-60200300*	144
XRMC1-24007030*	145		
XRMC1-48007015*	145		
XRMC1-48010030*	145		
XRMC1-60007015*	145		
XRMC1-60010030*	145		
XRMC2-24015050*	145		
XRMC2-48015030*	145		
XRMC2-48025050*	145		
XRMC2-60020030*	145		
XRMC2-60025050*	145		
XRMC3-24030100*	145		



REGISTER by Fax

Fax your request for information now!

(330) 745-2504

Your Optimal Solution in Hazardous Locations!



Your Local Akron Electric Representative is _____

ATTENTION: _____ Sales and Marketing Department

FROM: _____

COMPANY: _____

ADDRESS: _____

CITY: _____ STATE: _____ ZIP: _____

PHONE: () _____ FAX: () _____

E-MAIL ADDRESS: _____

- CHECK ONE:
- | | |
|--|--|
| <input type="checkbox"/> Engineering / Design Firm | <input type="checkbox"/> Distributor |
| <input type="checkbox"/> OEM | <input type="checkbox"/> Systems Integrator / Panel Shop |
| <input type="checkbox"/> Contractor | <input type="checkbox"/> Other _____ |

I am interested in AE Products: Please have your sales representative call me.

Please send an additional catalog to the following person:

FROM: _____

COMPANY: _____

ADDRESS: _____

CITY: _____ STATE: _____ ZIP: _____

Akron Electric, Inc.

Manufacturers of Explosion-Proof Enclosures & Electrical Systems

I
N
T
R
O

CD Catalog Request

Fax your request for information now!

(330) 745-2504

Your Optimal Solution in Hazardous Locations!



Your Local Akron Electric Representative is _____

ATTENTION: _____ Sales and Marketing Department

FROM: _____

COMPANY: _____

ADDRESS: _____

CITY: _____ STATE: _____ ZIP: _____

PHONE: () _____ FAX: () _____

E-MAIL ADDRESS: _____

- CHECK ONE:
- | | | | |
|--------------------------|---------------------------|--------------------------|---------------------------------|
| <input type="checkbox"/> | Engineering / Design Firm | <input type="checkbox"/> | Distributor |
| <input type="checkbox"/> | OEM | <input type="checkbox"/> | Systems Integrator / Panel Shop |
| <input type="checkbox"/> | Contractor | <input type="checkbox"/> | Other _____ |

I am interested in AE Products: Please have your sales representative call me.

Please send an additional catalog to the following person:

FROM: _____

COMPANY: _____

ADDRESS: _____

CITY: _____ STATE: _____ ZIP: _____



Akron Electric, Inc.

Terms & Conditions of Sale

I
N
T
R
O

TERMS OF PAYMENT: Net 30 days from date of invoice for credit approved purchasers, no cash discounts for early payment. Akron Electric reserves the right to require full or partial payment in advance of the shipment where the financial condition of the purchaser does not justify the terms of payment specified. Orders from purchasers without credit approval will be shipped C.O.D. or cash in advance. All orders requiring modifications are accepted on a non-cancelable and non-returnable basis.

PRICES & QUOTATIONS: PRICES SUBJECT TO CHANGE WITHOUT NOTICE.

Published prices shown in Akron Electric catalogs and price sheets provide a price and catalog number guide for the selection and application of a specific product. Firm price quotations will be given in writing upon application to Akron Electric, Inc.. All quotations and acceptance of contracts /orders are subject to final approval by authorized personnel of Akron Electric, Inc.. The provisions of any contract between Akron Electric and the Purchaser shall be interpreted and construed in accordance with the laws of the State of Ohio. ALL QUOTATIONS VALID FOR (30) DAYS.

MINIMUM CHARGE: A minimum billing of \$100.00 plus shipping cost will apply to each single order.

FREIGHT ALLOWANCE: All shipments are F.O.B. Akron Electric factory or shipping point. Transportation is prepaid and allowed on each individual shipment exceeding \$ 3,000.00 net value (per single shipment) to a specific destination to any common carrier free delivery point in the contiguous U.S., via the carrier selected by Akron Electric to be the most economical and reliable. Shipments to Alaska, Hawaii, and to other destinations outside the contiguous United States, will be shipped to the nearest point of exit prepaid and allowed pursuant to Akron Electric's standard terms. **No freight allowed for orders under \$3,000.00 net.** All special shipping costs to be borne by the purchaser or third party.

TAXES: Published prices do not include sales, use, or any other applicable taxes. All applicable taxes shall be paid by the Purchaser.

SPECIAL ORDERS: Special items / modified cast enclosures not listed in our current catalog, modifications to Purchaser's specifications, and unusual quantities of standard catalog items made for a specific order are accepted on a NON-CANCELABLE and NON-RETURNABLE basis.

WEIGHTS & DIMENSIONS: Catalog weights and dimensions are calculated estimates only, no guarantee to exact weight or dimension is given. Please consult factory for detailed construction prints or verification of exact weight.

PENALTIES & DELAYS: In no event will Akron Electric be liable for any losses or damages whatsoever resulting from a delay in shipment or failure to manufacture or deliver. Akron Electric shall not be liable for any damages caused by delays beyond Akron Electric's reasonable control including, without limitations, fire, strike, act of the Purchaser, acts of war, acts of God, transportation failures or inability to obtain labor, materials, or manufacturing facilities. In the event of any such delay, the date of the delivery shall be extended for a period equal to the time loss by reason of the delay.

DAMAGE & LOSS: Akron Electric's products are packaged to be protected from damage during shipping. Upon pick-up by the carrier and his receipt for the merchandise, responsibility for the delivery intact to the destination rests with the carrier. All shipments should be inspected immediately upon receipt for visible or hidden damages. Claims for loss or damage should be made with the carrier immediately. Akron Electric will assist insofar as practical in securing satisfactory adjustments of claims, however, all claims for loss or damage must be made by the purchaser to the carrier.

RESPONSIBILITY: Akron Electric is not responsible for misuse or misapplication of its products, intentional or otherwise. Improper application, installation, or operation above the rated capacity are all beyond the control of Akron Electric.
UNDER NO CIRCUMSTANCES SHALL AKRON ELECTRIC BE LIABLE FOR CONSEQUENTIAL OR CONTINGENT DAMAGES.

RETURNED MATERIALS: UNDER NO CIRCUMSTANCES SHALL MATERIAL BE RETURNED TO AKRON ELECTRIC WITHOUT A WRITTEN RETURN GOODS AUTHORIZATION. Material returned without authorization will be refused. Enclosures or product modified to customer specifications cannot be returned under any circumstances. Credit will be allowed on the returned goods on the following basis. Only unused items as currently manufactured which have been invoiced within one year will be considered. Restocking charges subject to manufacturer's discretion. All material must be returned in perfect condition. Any cost incurred by Akron Electric to restore product to perfect condition will be charged to the purchaser. ANY MODIFIED/ SPECIAL ENCLOSURES ARE NOT SUBJECT TO RETURN. Equipment must be packed to protect against damage and must be shipped prepaid. Transportation charges are borne by the Purchaser on all returned goods. If the return is the fault of Akron Electric, full credit will be allowed, and the approved standard transportation charges will be paid. CUSTOMER HAS 24 HOURS UPON RECEIPT OF ORDER TO VERIFY ACCURACY & CONTENTS OF ORDER. AFTER THIS TIME PERIOD, APPLICABLE FEES MAY APPLY FOR REWORK, ASSEMBLY, REPLACEMENT & RESTOCKING, ETC.

WARRANTY: Akron Electric warrants the equipment manufactured by it to be free from defects in material and workmanship under normal use and service, its obligation under this warranty being limited to replacing at its factory any product, part, or parts thereof which shall, within one year after delivery of such equipment to the original purchaser, be returned, and which Akron Electric's examination shall disclose to its satisfaction to have been thus defective. Except for the warranty hereinbefore stated AKRON ELECTRIC MAKES NO WARRANTY EXPRESSED OR IMPLIED; ANY IMPLIED WARRANTY OF MERCHANTABILITY OR FITNESS FOR A PARTICULAR PURPOSE IS HEREBY DISCLAIMED BY AKRON ELECTRIC AND EXCLUDED FROM ANY AGREEMENT MADE BY ACCEPTANCE OF ANY ORDER PURSUANT TO OUR QUOTATION. THERE ARE NO WARRANTIES, EITHER EXPRESSED OR IMPLIED, WHICH EXTEND BEYOND THE DESCRIPTION ON THE FACEHEREOF. Akron Electric neither assumes nor authorizes any person to assume for it any other liability in connection with the sale of its equipment. This warranty will not apply to any equipment which has been modified outside of its factory in any way so as, in Akron Electric's judgment, to affect its stability, or reliability, nor which has been subject to misuse, negligence, or accident or to improper operation or storage, or to other than normal use or service. Akron Electric shall not be held liable for damages, direct or consequential, or delays, if such occurs on account of defective materials, or workmanship, or delays in shipment. Akron Electric will not grant any allowance for any repairs or alterations made without the written consent of an officer of Akron Electric. Akron Electric will in no way be liable or responsible for injuries or damages to persons or property, arising from or out of use or operation of the equipment within described. Akron Electric reserves the right to make changes in design, or to make additions to, or improvements in, its product without imposing any obligations upon itself to install them on its products previously installed. Akron Electric may provide assistance in the form of recommendations, engineering or technical information and advice but such information is furnished only as an accommodation and Akron Electric shall have no liability for incomplete, faulty or inaccurate advice, recommendations or assistance, negligent or otherwise.

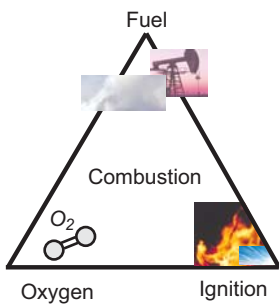
Hazardous Location Classification

Hazardous Locations



Hazardous Locations consist of areas where there is the potential for a fire or explosion due to electrical equipment that is in operation in this area with a reaction to flammable or ignitable gases, liquids, vapors, combustible dusts, fibers or flyings. The need for Explosion-Proof equipment then arises due to this potential for fire or explosion.

The National Electrical Code (NEC) along with the National Fire Protection Association (NFPA) and Underwriters Laboratories (UL) have published a guide along with codes that classify hazardous areas into classes, divisions and zones.



The “Combustion” or “Fire” Triangle is used to classify Hazardous Locations in the Explosion-Proof industry. A source of fuel (explosive gases, liquids, or vapors), source of ignition (fire, spark, or explosion) and oxygen must be present in the appropriate consistencies for an explosion to occur. Our Explosion-Proof Enclosures & Systems operate to prevent these three criteria from mixing in such a way that would generate an explosion and be hazardous to the surrounding environment.

CLASS I

Class I locations consist of areas where **gases, vapors or liquids** may exist that have the potential to become flammable or ignitable. There are two different divisions that exist in Class I, Division 1 and Division 2, along with three Zones; Zone 0, 1 & 2. Locations that would be considered to be Class I include Petroleum Refineries, Gasoline Storage Areas, Dry Cleaning Plants, Spray Finishing Areas, Fuel Servicing Areas, etc.

Division 1 is a subset of Class I and is classified as an area where the explosive or flammable gases, vapors or liquids mentioned above can exist under normal, everyday operating conditions.

Division 2 is also a subset of Class I and is classified as an area where the explosive or flammable gases, vapors or liquids mentioned above are not likely to exist during regular operation.

Zone 0 is described as the presence of explosive or flammable gases, vapors or liquids for long periods of time during operating conditions or during a large portion of the operating conditions.

Zone 1 is described as the presence of explosive or flammable gases, vapors or liquids for some of the time during normal operating conditions.

Zone 2 is described as there not being a likelihood of explosive or flammable gases, vapors or liquids present during normal operating conditions.



Hazardous Location Classification

CLASS II

Class II locations consist of locations where **combustible dusts** may exist that have the potential to become flammable or ignitable. Locations that would be considered to be Class II include Grain elevators, Flour and feed mills, Metal powder manufacturers, and Coal plants, etc.

Division 1 is a subset of Class II and is classified as an area where the explosive or flammable combustible dusts mentioned above can exist under normal, everyday operating conditions.

Division 2 is also a subset of Class II and is classified as an area where the explosive or flammable combustible dusts mentioned above are not likely to exist during regular operation.

CLASS III

Class III locations consist of locations where **fibers and flyings** may exist that have the potential to become flammable or ignitable. Locations that would be considered to be Class III include Cotton Gins, Cotton Seed Mills, Sawdust or flyings plants, or Textile mills.

Division 1 is a subset of Class III and is classified as an area where ignitable fibers or flyings may be manufactured, stored or handled.

Division 2 is also a subset of Class III and is classified as an area where ignitable fibers or flyings may be stored or handled.

NEMA & NEC ENCLOSURE TYPES

TYPE 3 - Type 3 enclosures are intended for outdoor use primarily to provide a degree of protection against windblown dust, rain, sleet and external ice formation.

TYPE 3R - Type 3R enclosures are intended for outdoor use primarily to provide a degree of protection against falling rain and external ice formations

TYPE 4 - Type 4 enclosures are intended for indoor or outdoor use primarily to provide a degree of protection against windblown rain, dust, splashing water, hose directed water, and external ice formation

TYPE 4X - Type 4X enclosures are intended for indoor and outdoor use primarily to provide a degree of protection against corrosion, windblown dust and rain, splashing water, hose directed water and external ice formation.

Akron Electric, Inc.

Manufacturers of Explosion-Proof Enclosures & Electrical Systems

Hazardous Location Classification

NEMA & NEC ENCLOSURE TYPES

TYPE 7 - Type 7 enclosures are for use indoors in locations classified Class I, Div. 1 & 2, Groups A, B, C & D, as defined in the National Electric Code.

TYPE 4/7 - Type 4/7 enclosures are for use outdoors in locations classified to be hazardous as defined in the National Electric Code.

TYPE 9 - Type 9 enclosures are for use in indoor locations classified Class II, groups E, F or G as defined in the National Electric Code.

CLASSIFICATION OF HAZARDOUS ATMOSPHERES

Class I, Division 1 & 2	Typical Atmosphere	Ignition Temp. (C)	Class I, Division 1 & 2	Typical Atmosphere	Ignition Temp. (C)	
GROUP A	Acetylene	305	GROUP D	Ethyl Acetate	427	
	Butadiene	420		Ethylene dichloride	413	
	Ethylene Oxide	429		Gasoline	280,536	
	Hydrogen	520		Heptane	204	
	-Mfg. gases containing more than 30% hydrogen (by volume)			Hexane	225	
	Propylene Oxide	449		Isoamyl Alcohol	350	
	C	Acetaldehyde		175	Isoprene	220
		Cyclopropane		503	Methane	630
		Diethyl Ether		160	Methanol	385
		Ethylene		450	Methyl Ethyl Ketone	404
- Unsymmetrical Dimethyl Hydrazine (UDMH)		249	Methyl Isobutyl Keytone	440		
D	Acetone	465	2 - Methyl - 1 Propanol	416		
	Acrylonitrile	481	2 - Methyl - 2 Propanol	478		
	Ammonia	498	Petroleum Naphtha	288		
	Benzene	498	Octane	206		
	Butane	288	Pentane	243		
	1 - Butanol	343	1 - Pentanol	300		
	2 - Butanol	405	Propane	450		
	N - Butyl Acetate	421	1 - Propanol	413		
	Ethane	472	2 - Propanol	399		
	Ethanol	363	Vinyl Acetate	402		
			Vinyl Chloride	472		
			Xylenes	464-529		



Hazardous Location Classification

NEC ENCLOSURE CLASSIFICATIONS

Explosion-Proof Enclosure: An enclosure which can withstand the pressures resulting from an internal explosion of specified gases, and contain such an explosion sufficiently to prevent the ignition of the explosive atmosphere surrounding the enclosure (for Class I, II and III).

Oil Immersion: The electrical apparatus are arranged such that the arcing contacts, connections, etc., are immersed in oil. Arcing is confined under the oil such that it will not ignite an explosive mixture of specified gases above the oil or in the atmosphere surrounding the enclosure (for Class I, II and III).

Purged & Pressurized Enclosures: The accumulation of ignitable gases or vapors in the enclosure is prevented by maintaining, inside the enclosure, sufficient flow of clean air or inert gas (for Class I, II and III).

Intrinsically Safe Equipment: Wiring that is incapable of releasing sufficient electrical or thermal energy, under normal and abnormal conditions, to cause ignition of a specific hazardous atmospheric mixture in its most easily ignitable concentration (for Class I, II and III).

Dust Ignition-Proof: The enclosure prevents the entrance of dust, and external surfaces shall not reach temperatures capable of igniting or discoloring dust on the enclosure or igniting dust-air mixtures in the surrounding atmospheres (for Class II).

ATEX ENCLOSURE CLASSIFICATIONS

Type “d” (Exd): Explosionproof/Flameproof Enclosure. An enclosure that can withstand the pressure developed during an internal explosion of specified gases and which prevents the transmission of the explosion to the explosive atmosphere surrounding the enclosure (for Zones 1 and 2).

Type “o” (Exo): Oil immersion. The electrical apparatus is immersed in oil in such a way that an explosive atmosphere, which may be above the oil or outside the enclosure cannot be ignited (for Zone 1).

Type “p” (Exp): Pressurized enclosure. The entry of a surrounding atmosphere into the enclosure is prevented by maintaining inside the enclosure a protective gas at a higher pressure than that of the surrounding atmosphere (for Zones 1 and 2).

Type “i” (Exi): Intrinsically Safe Systems are incapable of releasing sufficient electrical or thermal energy under normal or abnormal conditions to cause and ignition of a given explosive atmosphere (for all Zones, 0, 1 and 2).

Type “e” (Exe): Increased Safety. Measures are taken to prevent, with a minor degree of security, the possibility of excessive temperatures and the occurrence of arcs or sparks in the interior and on the external parts of the electrical apparatus which do not occur in normal service (for Zones 1 and 2).

Type “q” (Exq): Powder filled. The enclosure is filled with finely granulated material such that, in the intended service conditions, any arc occurring within the enclosure of an electrical apparatus will not ignite the surrounding atmosphere. No ignition shall be caused by flame or excessive temperature of the surfaces of the enclosure (for Zone 1).

Type “N” (Exn): Not CENELEC recognized. Measures are applied to the electrical apparatus such that, in normal operation, it is not capable of igniting a surrounding explosive atmosphere and a fault capable of causing ignition is not likely to occur (for Zone 2).











Akron Electric, Inc.

Manufacturers of Explosion-Proof Enclosures & Electrical Systems









I
N
T
R
O

Akron CERTIFICATIONS

Akron Electric Certificate Numbers

	AXJ	CXJ	AXJ-FCS CXJ-FCS	XJIH	XM+XP Operators
					E203605 E139669 (PTT)
	Standard C22.2 - No. 30-M1986 and No. 25-1966	Standard C22.2 - No. 30-M1986 and No. 25-1966	Standard C22.2 - No. 30-M1986 and No. 25-1966		
	Standard 886				
	Standard 1203, UL-14600 With viewing window: UL-E94590	Standard 1203, UL-14600 With viewing window: UL-E139669	Standard 1203, UL-14600 With viewing window: UL-E139669	Standard 1203 File No. E139669	
	Standard C22.2 - No. LR64264	Standard C22.2 - No. LR86146		Standard C22.2 - 30M1984	LR86146
	II 2 G Ex d IIB + H2 and / or II 2 D IIB + H2 IP 66 (With NEMA 4 O-ring)	II 2 G Ex d IIB + H2 and / or II 2 D IIB + H2 IP 66 (With NEMA 4 O-ring)		II 2 G EEx d IIC IP 66 II 2 D IIC*	II 2 G Ex d IIB + H2 and II 2 D IIB + H2 IP 66 (If installed in IP 66 Enclosure)
	Exd IIB + H2, EN 60079-0, -1, EN 60529	Exd IIB + H2, IP66 II2d Tamb EN 60079-0, -1 & EN 60529			DEMKO 06 ATEX 0605697U EN 60079-0:2004+ prAA:2005 EN 60079-1:2004 EN 50281-1-1: 1998 incl.A1:2002
				Class No. 3615	

EXI/AXI/CXI/ CXP XJATS/XJATG XJCTS/XJCTG PANEL BOARDS CIRCUIT BREAKERS MOTOR STARTERS AXC

					Standard 886 - E94590
	Standard C22.2 - No. 30-M1986 and No. 25-1966	Standard C22.2 - No. 30-M1986 and No. 25-1966	Standard C22.2 - No. 30-M1986 and No. 25-1966		Standard 886 - E94590
	Standard 886 - E94590	Standard 886			
			Standard 1203 UL-E139669	Classified as to Explosion & Fire Hazard Only. For use in: Class I, Groups B, C & D Class II, Groups E, F & G, Type 4X	Classified as to Explosion & Fire Hazard Only. For use in: Class I, Groups B, C & D Class II, Groups E, F & G, Type 4X
	Standard C22.2 - No. LR64264	Standard C22.2 - No. LR86146			
		II 2 G EEx d IIC IP 66 II 2 D IIC*		Available c/f	Available c/f
					II 2 G EEx d IIC IP 66
					

* - Cert. pending - C/F



AT $\text{\textcircled{E}x}$ Classification

NEC 500	Class I, Division 1, Groups A, B, C, D & T6			
NEC 505	Class I, Zone 1, AEx	d	IIC	T6
IEC	Ex	d	IIC	T6
CENELEC	Ex	d	IIC	T6

Temperature Classes		
Maximum Surface Temperature	CA (CEC Sec. 18)	
	EU IEC US(NEC 505)	US(NEC500) CA(CEC Annex J)
450° C	T1	T1
300° C	T2	T2
280° C		T2A
260° C		T2B
230° C		T2C
215° C		T2D
200° C	T3	T3
180° C		T3A
165° C		T3B
160° C		T3C
135° C	T4	T4
120° C		T4A
100° C	T5	T5
85° C	T6	T6

Explosion Groups According to CENELEC, IEC, NEC 505	
Explosion Group	Typical Gas
II A	Propane
II B	Ethylene
II B + H2	Hydrogen
II C	Acetylene

TYPES OF PROTECTION			
Type of Protection	Permitted Use	Standard	Protection Application
Explosion-Proof	Class I, Div. 1 & 2	FM3615 CSA C22.2 No. 30 UL 1203	Contain the Explosion and extinguish the flame
Flameproof	Class I, Zone 1	EN 60079-1	

AKRON ELECTRIC ATEX CERTIFICATE CLASSIFICATIONS

NOTE: For each product series, please add “-CEN” to the end of the part number to designate CENELEC/ATEX where applicable. This is an option - SPECIFY when required.

AXJ ATEX Series

$\text{\textcircled{E}x}$ II 2 G Ex d IIB + H2 and $\text{\textcircled{E}x}$ II 2 D IIB + H2
-55 to + 100 C; IP 66 Rating with NEMA 4 0-Ring

CXJ ATEX Series

$\text{\textcircled{E}x}$ II 2 G Ex d IIB + H2 and $\text{\textcircled{E}x}$ II 2 D Ex d IIB + H2
-55 to + 100 C; IP 66 Rating with NEMA 4 0-Ring

XJIH Instrument Housings, XJ Junction / Meter Boxes ATEX Series

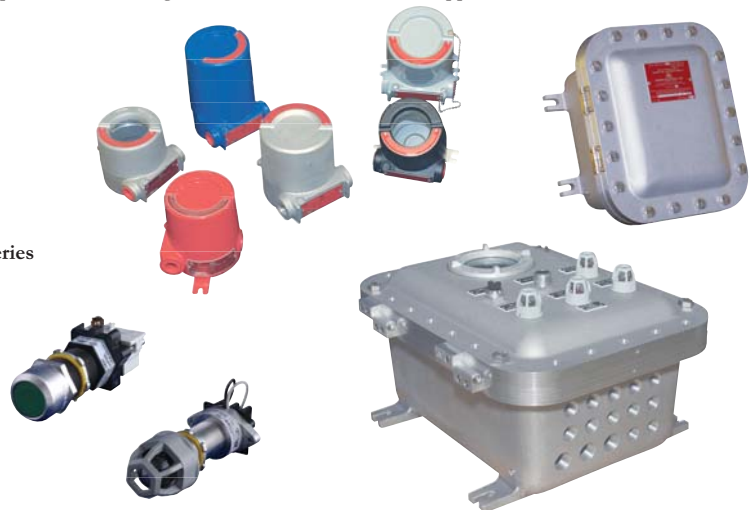
$\text{\textcircled{E}x}$ II 2 G EEx d IIC and $\text{\textcircled{E}x}$ II 2 D IIC* (Pending)
-20 to + 40 C; IP 66 Rating

AXC ATEX Series

$\text{\textcircled{E}x}$ II 2 G EEx d IIC
-20 to + 40 C; IP 66 Rating

XM & XP Operator ATEX Series

$\text{\textcircled{E}x}$ II 2 G Ex d IIB + H2 and $\text{\textcircled{E}x}$ II 2 D IIB + H2
-55 to + 100 C; IP66 Rating if installed in IP 66 Enclosure

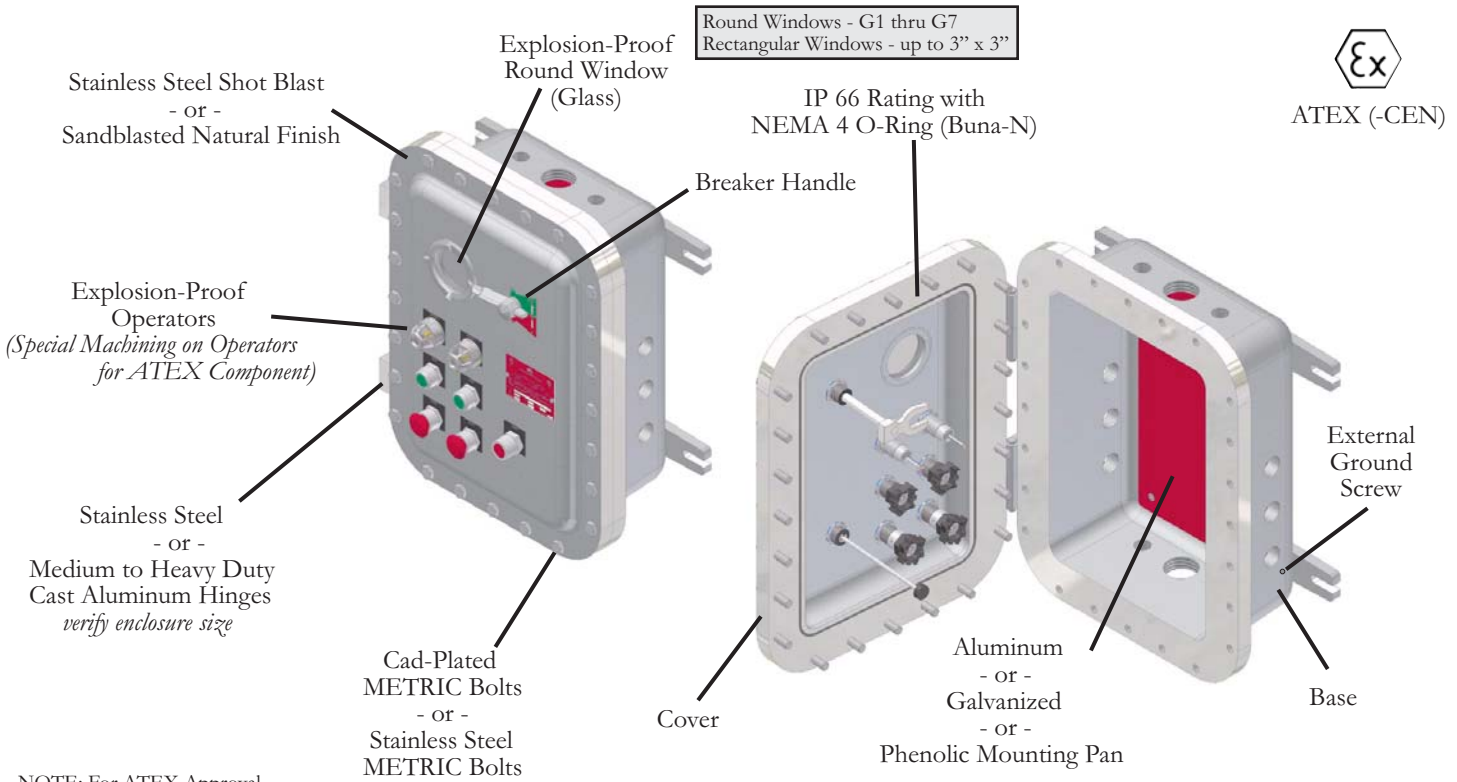
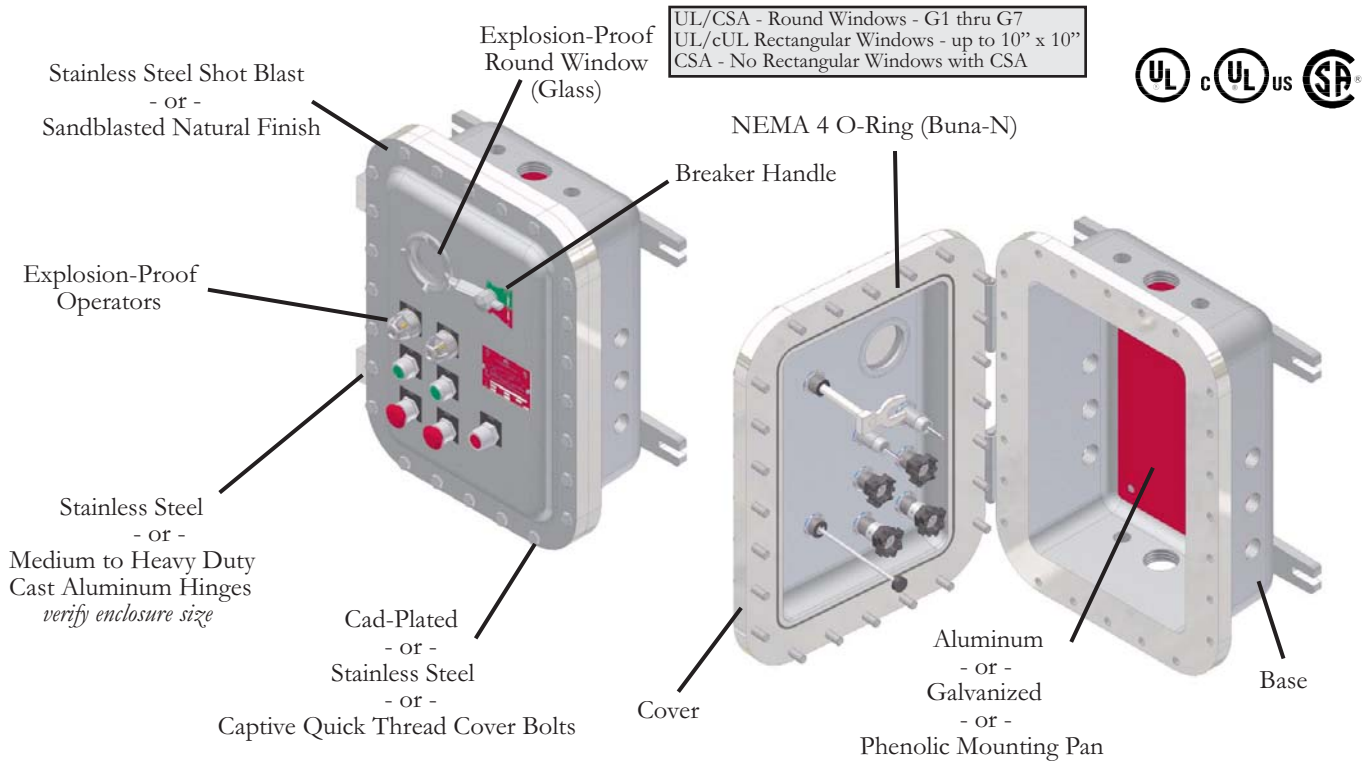


Akron Electric, Inc.

Manufacturers of Explosion-Proof Enclosures & Electrical Systems

Akron Comparison of CXJ Enclosure Design Features by Certification

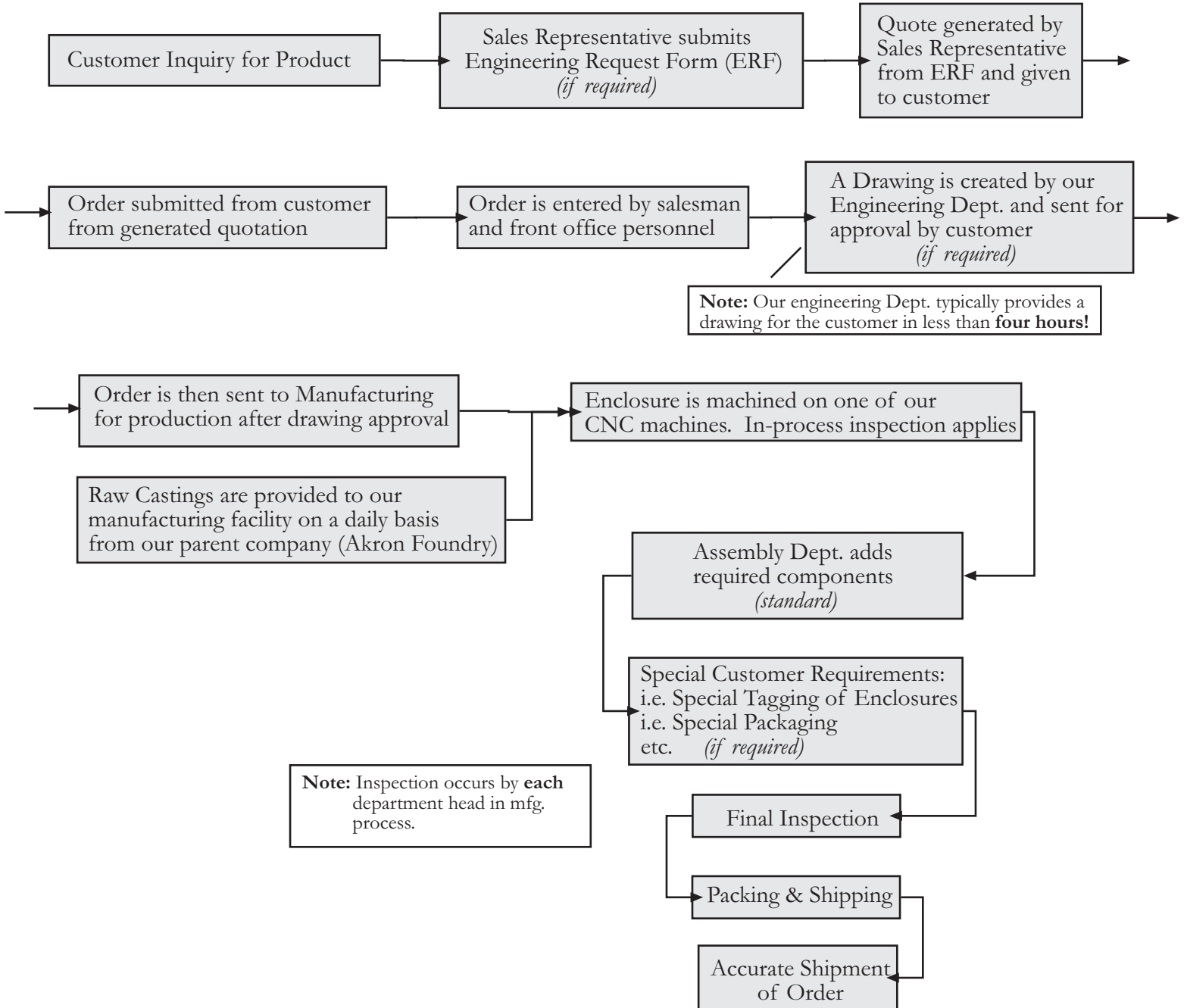
I
N
T
R
O



NOTE: For ATEX Approval,
All Machining must be done at factory.



Akron PROCEDURAL FLOWCHART for Quotes & Orders



Note: CUSTOMER HAS 24 HOURS UPON RECEIPT OF ORDER TO VERIFY ACCURACY & CONTENTS OF ORDER. AFTER THIS TIME PERIOD, APPLICABLE FEES MAY APPLY FOR REWORK, ASSEMBLY, REPLACEMENT & RESTOCKING, ETC.

Akron Electric, Inc.

Manufacturers of Explosion-Proof Enclosures & Electrical Systems

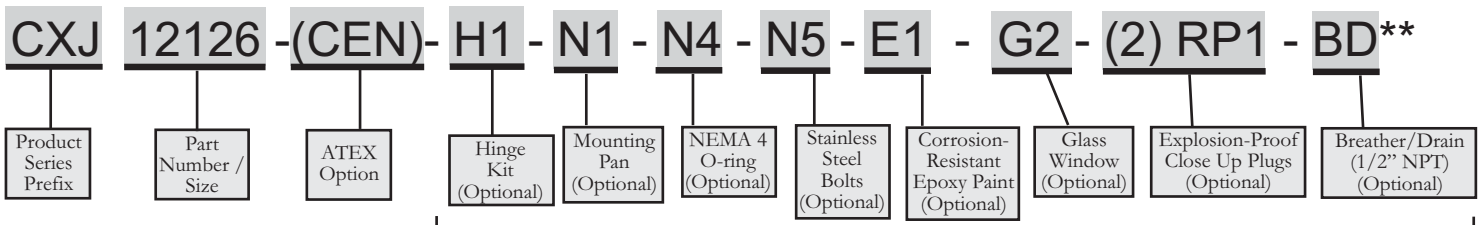
Akron EASY CATALOG ORDERING INFORMATION

I
N
T
R
O

This page is to explain how to order AKRON products in a comprehensive way that is easy for both the customer and the manufacturer. The **Product Series Prefix** is placed at the beginning of the part number followed by the **size of the enclosure**. The **Product Series Prefix** is the prefix given in each catalog section that precedes the rest of the number. Examples include: **AXJ, CXJ, EXI, AXI, CXI, XJATS, XJCTS, XJATG, XJCTG, XJATD & XJCTD**. “-CEN” will follow the enclosure size for optional ATEX / CENELEC rating.

Any additional adders will follow the Product Series Prefix including: **Hinges, Mounting Pan, NEMA 4 O-Ring, Stainless Steel Bolts, Name Plates, Captive Quick Thread Bolts, Corrosion-Resistant Epoxy Coating, Glass Windows, Breather Drains & Explosion-Proof Close Up Plugs**. (For a full list of adders that would follow the Product Series Prefix on the main product line, please see Table III in the CXJ section - Standard Modifications). All other items not listed in Table III - conduit entries (holes), operators, motor starters, disconnects, circuit breakers, etc. will be listed below the actual part number with quantities in parentheses as displayed below. Circuit Breakers, Disconnects, Motor Starters, Operators, & Panel Boards have their own nomenclatures; please refer to those specific sections in the catalog for building those part numbers.

Junction Box / Control Station Nomenclature



Typical Modifications

Typical Optional Adders*

- (1) 1/2" NPT ————— 1/2" NPT used for conduit entry (Please see Conduit Page for additional information)
- (1) XPLSB-120R ————— PILOT LIGHT-RED LED-120V- SHORT BARREL PIGTAIL
- (1) XRBS ————— RESET BUTTON-SHORT BARREL
- (2) 3/4" NPSM ————— Each Operator gets a "3/4 NPSM" (One for XPLSB-120R, One for XRBS)

* Note: See Adder Page for additional "Optional Adders"
 ** Note: For Breather & Drain, please write " - 2BD"



Akron Electric, Inc.

Manufacturers of Explosion-Proof Enclosures & Electrical Systems

Akron ACCESSORIES / REPLACEMENT PARTS

EXPLOSION-PROOF CLOSE UP PLUGS

Code	Description
RP1	1/2" NPT Close Up
RP2	3/4" NPT
RP3	1" NPT
RP4	1-1/4" NPT
RP5	1-1/2" NPT
RP6	2" NPT
RP7	2-1/2" NPT
RP8	3" NPT
RP9	3-1/2" NPT
RP10	4" NPT
R3	3/4" NPSM

EXPLOSION-PROOF PILOT LIGHT REPLACEMENT BULBS

COLOR OF LED LAMP	VOLTAGE (VAC/DC)	REPLACEMENT P/N
AMBER	12	XPLB12A
BLUE	12	XPLB12B
GREEN	12	XPLB12G
RED	12	XPLB12R
WHITE	12	XPLB12W
AMBER	24	XPLB24A
BLUE	24	XPLB24B
GREEN	24	XPLB24G
RED	24	XPLB24R
WHITE	24	XPLB24W
AMBER	48	XPLB48A
BLUE	48	XPLB48B
GREEN	48	XPLB48G
RED	48	XPLB48R
WHITE	48	XPLB48W
AMBER	120	XPLB120A
BLUE	120	XPLB120B
GREEN	120	XPLB120G
RED	120	XPLB120R
WHITE	120	XPLB120W
AMBER	240	XPLB240A
BLUE	240	XPLB240B
GREEN	240	XPLB240G
RED	240	XPLB240R
WHITE	240	XPLB240W

EXPLOSION-PROOF CONTACT BLOCKS

Code	Description	Cutler-Hammer	Akron Electric
Blank	No Contacts	Part Number	Part Number
A	1 N.O.	10250T53	2003ABB
B	1 N.C.	10250T51	2003AAB
2A	2 N.O.	10250T2	2003AEB
2B	2 N.C.	10250T3	2003ADB
C	1 N.O. / 1 N.C.	10250T1	2003ACB
*D	2 N.O. / 2 N.C.	(2) 10250T1	(2) 2003ACB
E	1 N.C.L.B.	10250T71	2003AGB
2E	2 N.C.L.B.	10250T45	2003AHB
*G	1 N.O. / 1 N.C.L.B.	(C.B. A + E)	2003AMB
*H	1 N.C. / 1 N.C.L.B.	(C.B. B + E)	2003ANB
*J	3 N.O. / 3 N.C.	(3) 10250T1	(3) 2003ACB
*K	4 N.O. / 4 N.C.	(4) 10250T1	(4) 2003ACB
L	N.O.E.M.-N.C.	10250T47	2003AJB
M	N.O.E.M.-N.O.	10250T57	2003AKB
N	N.C.L.B.-N.O.E.M.	10250T55	2003ALB
P	2 N.O. / 2 N.C. (300V)	10250T44	2003AFB

*Denotes multiple block configuration

EXPLOSION-PROOF MINI PILOT DEVICE ACCESSORIES

Part Number	Description
2127AAB	Mini Push Button Guard
2114AAB	Mini P.B. S.S. Reducer Bushing (3/4" NPT to 3/8-16 UNC)

OPERATOR LEGEND PLATES

Mini Legend Plate	MN6
Standard Legend Plate	N6
Phenolic Legend Plate	N7
Custom Legend Plate	N8

BREATHER / DRAIN	BD
BREATHER & DRAIN	2BD

EXPLOSION-PROOF PUSH BUTTON PROTECTIVE BOOTS

Part Number	Description
XPB-B	Black Boot w/guard
XPB-G	Green Boot w/guard
XPB-R	Red Boot w/guard
XPB-BU	Blue Boot w/guard
XPB-Y	Yellow Boot w/guard

EXPLOSION-PROOF SELECTOR SWITCH REPLACEMENT KEYS

Part Number	Description
AE1	Replacement Key - A.E. #1
AE2	Replacement Key - A.E. #2
AE3	Replacement Key - A.E. #3

EXPLOSION-PROOF PILOT LIGHT ACCESSORIES

Part Number	Description
2294AAB	Pilot Light Lens Guard Assembly -(Pilot Light)
2295AAB	Pilot Light Lens Guard Assembly - (Push-to-test)
2147AAB	Push-to-Test Aluminum Guard
1989ABB	Jumbo Mushroom Head - Engraved "Emergency Stop"
1989AAB	Jumbo Mushroom Head - No Engraving
1985AAB	Standard Mushroom Head - Red
1985ABB	Standard Mushroom Head - Green

EXPLOSION-PROOF PILOT DEVICE LOCKING MECHANISMS

Part Number	Description
2296AAB	Stainless Steel Padlock for Push Buttons (Extended)
2297AAB	Plastic PadLock for Push Buttons (Flush or Push-Pull Series)
XPP-SSGRD	Stainless Steel Lockout for Push Pull Series

Finger Safe Optional Adder (Pilot Lights & Push Buttons) "-FS"

Akron Electric, Inc.

Manufacturers of Explosion-Proof Enclosures & Electrical Systems

Akron CORROSION-RESISTANT EPOXY COATING & ENCLOSURE FINISHES

I
N
T
R
O

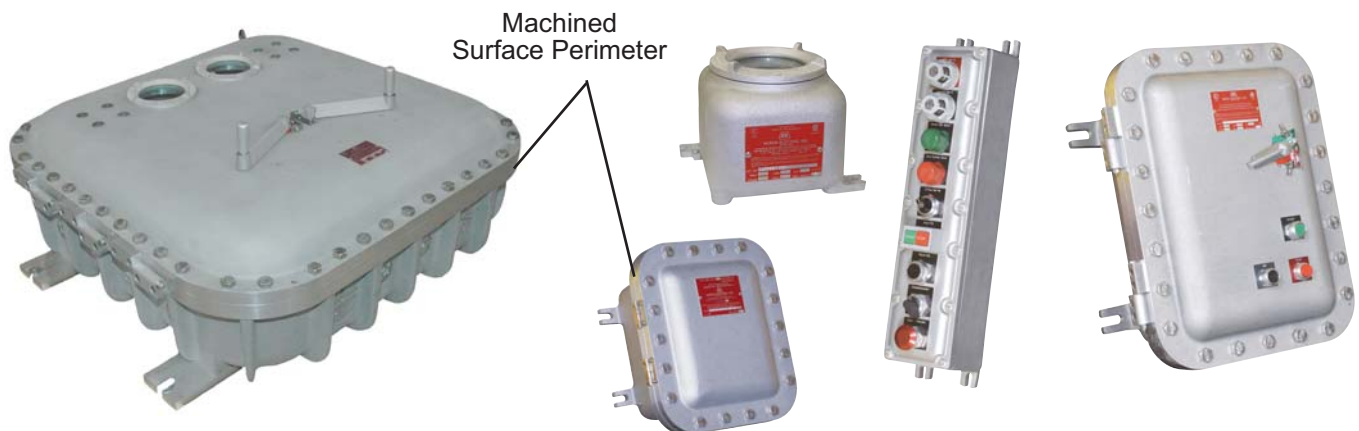
Corrosion-Resistant Epoxy Coatings

Akron Electric offers Corrosion-Resistant Epoxy Coating for its entire casting product series as an optional adder. Please let the factory know if you desire to have your product epoxy-coated. The proper suffix for epoxy coating is "E1" at the end of the product number. "E1" denotes epoxy coating on the outside of the casting, and "E2" is epoxy coating on the inside and outside of the enclosure. The standard color for epoxy coating is GRAY, but we can also provide: BLACK, BLUE, GREEN, RED, WHITE & YELLOW. (C/F for Special Requirements).
*GR, EYS & TU Series come with standard Gray Powder Coat Finish.



Standard Finishes for AKRON Enclosures

Akron Electric provides enclosures with high-quality finishes that make our enclosures extremely attractive in the market place. The typical finishes that our enclosures have include a Stainless Steel Shot Blast Finish, or a Sandblasted finish.
(Consult Factory for Special Requirements).



Sandblast Finish

Wheelabrute Finish



Explosion-Proof Junction Boxes

X
P
J
U
N
C
T
I
O
N
B
O
X
E
S



- **AXJ Series.....pgs. 26-38**
External flange junction box
- **AXJ-FCS Series.....pgs. 29-32**
External flange flat cover junction box
- **EXI Series.....pg. 39**
Internal flange junction box
- **AXI Series.....pgs. 40-41**
Internal flange junction box
- **XJATS Series.....pgs. 42-44**
Solid screw top junction box
- **XJATG Series.....pgs. 42-44**
Glass Screw Top Metering Enclosure
- **XJATD Series.....pgs. 45-46**
Domed screw top junction box

1025 Eagon Street Barberton, Ohio 44203 Ph: 330-745-8891 Fax: 330-745-2504
www.AkronElectric.Com E-Mail: Sales@AkronElectric.Com

Explosion-Proof Junction Boxes "AXJ" Series



Over 75 Sizes Available For Hazardous Locations

Applications:

Applications where hazardous gases, vapors, liquids, flammable fibers, flyings or combustible dusts can exist during the time of operation

Locations including Oil / Petroleum Refineries, Waste Water Treatment Plants, Petrochemical Plants, Mining Facilities, etc.

Junction Box can be used to house electrical components for viewing / monitoring

Applications in hazardous environments such as those listed above (indoor & outdoor)

ATEX Certification: (Optional)

If ATEX Certification is required, please specify.

Add "-CEN" to Part Number to designate ATEX. (Optional)

Certain Features are added to the AXJ Series if ATEX is required:

- Metric Cover Bolts
- External Ground Screw
- If NEMA 4 O-ring is required, IP 66 Rating Applies

"This is the highest quality enclosure made in the industry. Our quality matched by our quick ship program gets the job done."

Features:

External Machined Flange Joint Design

Integral Cast Mounting Feet

Machined Surface Perimeter for ease of hinge installation

(N5) Stainless Steel (Optional) or (E3) Triple Lead Stainless Steel Captive Quick Thread Cover Bolts (Optional-Domestic Only)

Ground Lug Package (Optional)

Cast Mounting Pan Bosses

All enclosures suitable for drilling and tapping

Stainless Steel Shot or Sandblasted natural finish

Cast aluminum or stainless steel hinge (optional)

Materials:

Enclosures: Copper-free Aluminum (less than 0.25% copper content)

Cover Bolts: Cad-Plated (Standard) or Stainless Steel N5 / E3 (Specify)

Hinges: Stainless Steel or Medium to Heavy Duty Cast Aluminum

Mounting Pan (Opt.): Aluminum*;

Galvanized Steel or Phenolic Materials available upon request.

O-Ring (Opt.): Buna-N

*Note: Aluminum Mounting Pan will be provided if mounting pan is requested unless otherwise noted.



ISO
9001 With Design

Approvals:

UL LISTED - Standard 886

CSA Certified (Canada) - Standard C22.2 - No. M1984

Compliances:

CL. I, Div. 1 & 2 Groups B, C & D

CL. II, Div. 1 & 2 Groups E, F & G

CL. III

NEMA 3, 4X (Optional), 7 & 9



DEMKO OS ATEX 05 ATEX137477U (Empty Housing) Component Rating
Exd IIB+H2; IP66 (With O-Ring) II2dg Tamb - 55 degree C to 100 degree C
EN 60079-0, -1; EN 60529
ATEX Directive



Explosion-Proof Junction Boxes "AXJ" Series

X P JUNCTION BOXES

CATALOG NUMBER	INSIDE DIMENSIONS (INCHES) Available Depth**				OUTSIDE DIMENSIONS (INCHES)			MOUNTING (INCHES)		MTG. PAN	MTG. PAN DIM.		HINGE CAT. # *	ATEX Optional ADDER	LUG BOLT SIZE (IN.)	MAX. CONDUIT (INCHES)	EST. WEIGHT (LBS.)
	AXJ	W	L	D	Dc	A	B	C	E		F	---					
4164	4	16	4	1	8	20	6-1/2	12-1/8	6-3/4	N1	3	15	H1/HC1	-CEN	3/8	2	33
664	6	6	4	1	9-3/4	9-3/4	6-1/4	5-1/8	9-1/8	N1	5	5	H1/HC1	-CEN	3/8	2	17
684	6	8	4	1	9-3/4	11-3/4	6-7/16	4-1/2	9-1/8	N1	5	7	H1/HC1	-CEN	3/8	2	23
685	6	8	5	1	9-3/4	11-3/4	7-7/16	4-1/2	9-1/8	N1	5	7	H1/HC1	-CEN	3/8	2	25
686	6	8	6	1	9-3/4	11-3/4	8-7/16	4-1/2	9-1/8	N1	5	7	H1/HC1	-CEN	3/8	2	26
6104	6	10	4	1	10	14	6-3/8	6-1/2	9-1/8	N1	5	9	H1/HC1	-CEN	3/8	2	26
6115	6	11	5	1	10	15	7-7/16	8	9-1/8	N1	5	10	H1/HC1	-CEN	3/8	2	29
6124	6	12	4	1	10	16	6-7/16	8-1/2	9-1/8	N1	5	11	H1/HC1	-CEN	3/8	2	30
6126	6	12	6	1	10	16	8-7/16	8-1/2	9-1/8	N1	5	11	H1/HC1	-CEN	3/8	2	36
6135	6	13	5	1	10	17	7-7/16	9-1/2	9-1/8	N1	5	12	H1/HC1	-CEN	3/8	2	34
6164	6	16	4	1	10-1/2	20-1/2	6-9/16	12-1/8	9-1/8	N1	5	15	H1/HC1	-CEN	3/8	2	42
6186	6	18	6	1-1/2	10-1/2	22-1/2	9-1/16	13-1/8	9-1/8	N1	5	17	H1/HC1	-CEN	3/8	3	46
#6485	6	48	5	1	10	52	7-3/4	40	8	N1	5	46	3H1/3HC1	-CEN	3/8	2	109
7104	7	10	4	1	11-1/2	14-1/2	6-9/16	6-1/2	9-3/4	N1	6	9	H1/HC1	-CEN	3/8	2	20
7106	7	10	6	1	11-1/2	14-1/2	8-9/16	6-1/2	9-3/4	N1	6	9	H1/HC1	-CEN	3/8	3	25
7185	7	18	5	1	11-1/2	22-1/2	7-9/16	14-1/2	9-3/4	N1	6	17	H1/HC1	-CEN	3/8	2	60
884	8	8	4	1	12-1/2	12-1/2	6-9/16	4-1/2	10-3/4	N1	6-1/2	6-1/2	H1/HC1	-CEN	3/8	2	33
886	8	8	6	1	12-1/2	12-1/2	8-9/16	4-1/2	10-3/4	N1	6-1/2	6-1/2	H1/HC1	-CEN	3/8	3	36
888	8	8	8	1	12-1/2	12-1/2	10-9/16	4-1/2	10-3/4	N1	6-1/2	6-1/2	H1/HC1	-CEN	3/8	4	39
8104	8	10	4	1	12-1/2	14-1/2	6-9/16	6-1/2	10-3/4	N1	6-1/4	8-1/4	H1/HC1	-CEN	3/8	2	36
8106	8	10	6	1	12-1/2	14-1/2	8-9/16	6-1/2	10-3/4	N1	6-1/4	8-1/4	H1/HC1	-CEN	3/8	3	41
8108	8	10	8	1	12-1/2	14-1/2	10-9/16	6-1/2	10-3/4	N1	6-1/4	8-1/4	H1/HC1	-CEN	3/8	4	46
8124	8	12	4	1	12-1/2	16-1/2	6-9/16	8-5/8	10-3/4	N1	6-1/2	10-1/2	H1/HC1	-CEN	3/8	2	41
8126	8	12	6	1	12-1/2	16-1/2	8-9/16	8-5/8	10-3/4	N1	6-1/2	10-1/2	H1/HC1	-CEN	3/8	3	46
8128	8	12	8	1	12-1/2	16-1/2	10-9/16	8-5/8	10-3/4	N1	6-1/2	10-1/2	H1/HC1	-CEN	3/8	4	50
9115	9	11	5	1	13-1/2	15-1/2	7-9/16	6	13-1/8	N1	7-1/2	9-1/2	H1/HC1	-CEN	3/8	2	46
10104	10	10	4	1	14-1/2	14-1/2	6-3/4	6-1/2	13	N1	8-1/2	8-1/2	H1/HC1	-CEN	3/8	2	40
10106	10	10	6	1	14-1/2	14-1/2	8-3/4	6-1/2	13	N1	8-1/2	8-1/2	H1/HC1	-CEN	3/8	3	50
10108	10	10	8	1	14-1/2	14-1/2	10-3/4	6-1/2	13	N1	8-1/2	8-1/2	H1/HC1	-CEN	3/8	4	57
10144	10	14	4	1-1/2	14-1/2	18-1/2	7-3/16	10-5/8	13	N1	8	12	H1/HC1	-CEN	3/8	2	60
10146	10	14	6	1-1/2	14-1/2	18-1/2	9-3/16	10-5/8	13	N1	8	12	H1/HC1	-CEN	3/8	3	68
10148	10	14	8	1-1/2	14-1/2	18-1/2	11-3/16	10-5/8	13	N1	8	12	H1/HC1	-CEN	3/8	4	75
12124	12	12	4	1-1/2	17	17	7-1/2	8-5/8	15-3/4	N1	10	10	H1/HC1	-CEN	1/2	2	70
12126	12	12	6	1-1/2	17	17	9-1/2	8-5/8	15-3/4	N1	10	10	H1/HC1	-CEN	1/2	3	77
12126LW	12	12	6	1-5/16	16	16	8-7/8	8-5/8	15-3/4	N1	10	10	H1/HC1	-CEN	1/2	4	58
12128	12	12	8	1-1/2	17	17	11-1/2	8-5/8	15-3/4	N1	10	10	H1/HC1	-CEN	1/2	4	87
12184	12	18	4	1-1/2	17	23	7-1/2	14-1/8	15-3/4	N1	10	16	H2	-CEN	1/2	2	102
12186	12	18	6	1-1/2	17	23	9-1/2	14-1/8	15-3/4	N1	12	16	H2	-CEN	1/2	3	116
12188	12	18	8	1-1/2	17	23	11-1/2	14-1/8	15-3/4	N1	12	16	H2	-CEN	1/2	4	120
12205	12	20	5	1-1/2	17	25	8-1/2	14-3/8	15-3/4	N1	10	18	H2	-CEN	1/2	2	111
12244	12	24	4	1-1/2	17-1/8	29-1/8	7-5/8	18-3/4	15-3/4	N1	10	22	H2	-CEN	1/2	2	126
12246	12	24	6	1-1/2	17-1/8	29-1/8	9-5/8	18-3/4	15-3/4	N1	10	22	H2	-CEN	1/2	3	142
12248	12	24	8	1-1/2	17-1/8	29-1/8	11-5/8	18-3/4	15-3/4	N1	10	22	H2	-CEN	1/2	4	154
122410	12	24	10	1-1/2	17-1/8	29-1/8	13-5/8	18-3/4	15-3/4	N1	10	22	H2	-CEN	1/2	4	165
12306	12	30	6	1-1/2	17	35	9-5/8	23	15-3/4	N1	10	28	H2	-CEN	1/2	3	177

* Note: (H1) = Stainless Steel Modular Hinge, (HC1, H2) = Cast Aluminum Hinge

** Available Depth = D + Dc

1025 Eagon Street Barberton, Ohio 44203 Ph: 330-745-8891 Fax: 330-745-2504
www.AkronElectric.Com E-Mail: Sales@AkronElectric.Com



Explosion-Proof Junction Boxes "AXJ" Series

CATALOG NUMBER	INSIDE DIMENSIONS (INCHES)				OUTSIDE DIMENSIONS (INCHES)				MOUNTING (INCHES)	MTG. PAN	MTG. PAN DIM.	HINGE CAT. # *	ATEX Optional ADDER	LUG BOLT SIZE (IN.)	MAX. CONDUIT (INCHES)	EST. WEIGHT (LBS.)	
	AXJ	W	L	D	Dc	A	B	C									E
12364	12	36	4	1-1/2	17	41	7-5/8	29	15-3/4	N1	10	34	3H2	-CEN	1/2	2	197
12366	12	36	6	1-1/2	17	41	9-5/8	29	15-3/4	N1	10	34	3H2	-CEN	1/2	3	210
12368	12	36	8	1-1/2	17	41	11-5/8	29	15-3/4	N1	10	34	3H2	-CEN	1/2	4	222
*12468	12	46	8	1-1/2	17-1/8	51-1/8	11-5/8	15-3/4	39	N1	10	44	3H2	-CEN	1/2	4	260
14144	14	14	4	1-1/2	19-1/8	19-1/8	7-1/2	9-3/4	17-1/2	N1	12	12	H2	-CEN	1/2	2	83
14146	14	14	6	1-1/2	19-1/8	19-1/8	9-1/2	9-3/4	17-3/4	N1	12	12	H2	-CEN	1/2	3	94
14148	14	14	8	1-1/2	19-1/8	19-1/8	11-1/2	9-3/4	17-3/4	N1	12	12	H2	-CEN	1/2	4	104
14286	14	28	6	1-1/2	19-1/8	33-1/8	9-1/2	22-1/2	17-3/4	N1	12	26	H2	-CEN	1/2	3	153
16164	16	16	4	1-1/2	21-1/8	21-1/8	7-5/8	11	19-3/4	N1	14	14	H2	-CEN	5/8	2	103
16166	16	16	6	1-1/2	21-1/8	21-1/8	9-5/8	11	19-3/4	N1	14	14	H2	-CEN	5/8	3	120
16168	16	16	8	1-1/2	21-1/8	21-1/8	11-5/8	11	19-3/4	N1	14	14	H2	-CEN	5/8	4	143
16246	16	24	6	1-1/2	21-1/8	29-1/8	9-7/8	8-3/8	19-3/4	N1	14	22	H2	-CEN	5/8	3	174
16248	16	24	8	1-1/2	21-1/8	29-1/8	11-7/8	18-3/8	19-3/4	N1	14	22	H2	-CEN	5/8	4	194
162410	16	24	10	1-1/2	21-1/8	29-1/8	13-7/8	18-3/8	19-3/4	N1	14	22	H2	-CEN	5/8	4	212
*164610	16	46	10	1-1/2	21-1/8	51-1/8	13-3/4	39	19-3/4	N1	14	44	3H2	-CEN	5/8	4	370
18184	18	18	4	1-1/2	23-1/8	23-1/8	8	13	21-3/4	N1	16	16	H2	-CEN	5/8	2	131
18186	18	18	6	1-1/2	23-1/8	23-1/8	10	13	21-3/4	N1	16	16	H2	-CEN	5/8	3	149
18188	18	18	8	1-1/2	23-1/8	23-1/8	12-3/8	13	21-3/4	N1	16	16	H2	-CEN	5/8	4	176
18246	18	24	6	1-1/2	23-1/8	29-1/8	9-7/8	18-3/8	21-3/4	N1	16	22	H2	-CEN	5/8	3	193
18248	18	24	8	1-1/2	23-1/8	29-1/8	11-7/8	18-3/8	21-3/4	N1	16	22	H2	-CEN	5/8	4	210
182410	18	24	10	1-1/2	23-1/8	29-1/8	13-7/8	18-3/8	21-3/4	N1	16	22	H2	-CEN	5/8	4	234
18308	18	30	8	1-1/2	23-1/8	35-1/8	11-7/8	23	21-3/4	N1	16	28	H2	-CEN	5/8	4	268
18368	18	36	8	1-1/2	23-1/2	41-1/2	12-7/16	30	21-3/4	N1	14	32	3H3	-CEN	5/8	4	410
183610	18	36	10	1-1/2	23-1/2	41-1/2	14-1/4	29	21-3/4	N1	14	32	3H3	-CEN	5/8	4	436
24248	24	24	8	1-1/2	29-1/2	29-1/2	12-1/8	18-3/8	28	N1	20	20	H3	-CEN	5/8	4	306
242410	24	24	10	1-1/2	29-1/2	29-1/2	14-1/8	18-3/8	28	N1	20	20	H3	-CEN	5/8	4	320
24308	24	30	8	1-1/2	29-1/8	35-1/8	11-7/8	23	28	N1	22	28	H3	-CEN	5/8	4	306
24368	24	36	8	1-1/2	30	42	12-9/16	29	28	N1	22	28	3H3	-CEN	5/8	4	471
243610	24	36	10	1-1/2	30	42	14-9/16	29	28	N1	20	32	3H3	-CEN	5/8	4	501
#323612	32	36	6	6	38-1/4	42-1/4	15-7/8	29	36	N1	30	34	3H3	N/A	5/8	4	600
#346810	34	68	5	5	40	74	17-1/8	54	42-1/2	N1	34	64	4H3	N/A	5/8	2	1160
*38388	38	38	8	2	44	44	16-1/8	24	46	N1	36	36	3H3	N/A	5/8	4	840
#383816	38	38	16	0	44	44	23	24	46	N1	36	36	3H3	N/A	5/8	4	900

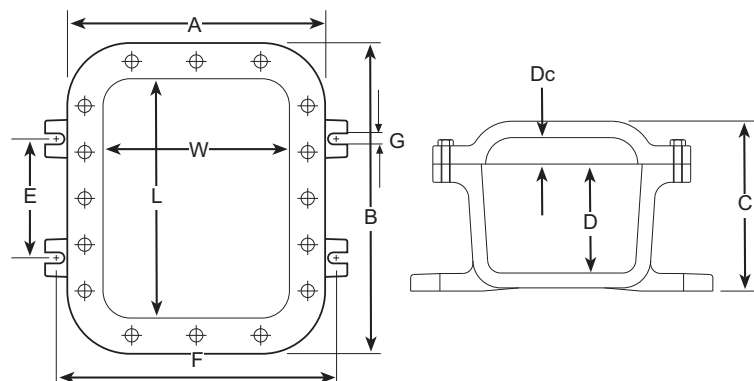
Note: (H2, H3) = Cast Aluminum Hinge

NEMA 4X, 7, 9 enclosures are designed to third party specifications. These boxes carry no formal listings.

* UL / cUL Only enclosures only - (no CSA certification)

** Available Depth = D + Dc

All Dimensions are for Reference Only - C/F for questions regarding design dimensional data



- Consult Factory if larger Mounting Pan is needed
- Mounting feet will be aligned right & left (as shown) unless otherwise specified.
- 9 x 11 x 5 Mounting Feet are top & bottom std.
- For an enclosure size not listed above or a special application, contact Akron Electric.
- All conduit runs must be sealed within 6 inches of the enclosure.
- Note: Enclosures have internal taper (draft) of 1/16" per inch of depth *(dimensions "W" and "L" are across top of base).
- Hinges and mounting pans are not included as standard.
- See pages 33-38 for ordering information, modifications and conduit working area.

X P JUNCTION BOXES



Explosion-Proof Flat Cover Junction Boxes

X
P
J
U
N
C
T
I
O
N
B
O
X
E
S



AXJ-FCS Flat Cover Series
External flange junction box with flat cover

1025 Eagon Street Barberton, Ohio 44203 Ph: 330-745-8891 Fax: 330-745-2504
www.AkronElectric.Com E-Mail: Sales@AkronElectric.Com

Explosion-Proof Flat Cover Junction Boxes “AXJ-FCS” Series



**Over 75 Sizes
Available For
Hazardous Locations**

Applications:

Applications where hazardous gases, vapors, liquids, flammable fibers, flyings or combustible dusts can exist during the time of operation

Locations including Oil / Petroleum Refineries, Waste Water Treatment Plants, Petrochemical Plants, Mining Facilities, etc.

Junction Box can be used to house electrical components for viewing / monitoring.

These components can be controlled or viewed in hazardous environments (indoor & outdoor)

“Try our new Flat Cover Junction Box when space is limited. Attractive Epoxy Coating Finish Available!”

Features:

Aluminum Flat Panel Cover

External Machined Flange Joint Design

Integral Cast Mounting Feet

Machined Surface Perimeter for ease of hinge installation

(N5) Stainless Steel or (E3) Triple Lead Stainless Steel Captive Quick Thread Cover Bolts (Optional-Domestic Only)

Ground Lug Package (Optional)

Cast Mounting Pan Bosses

All enclosures suitable for drilling and tapping

Stainless Steel Shot Blast or Sandblasted natural finish

Standard round or custom sized windows available

Cast aluminum and stainless steel hinge (optional)

All enclosures suitable for NEMA 4X (optional), **specify when required**



Materials:

Enclosures: Copper-free Aluminum (less than 0.25% copper content)

Cover Bolts: Cad-Plated (Standard) or Stainless Steel N5 / E3 (Specify)

Hinges: Stainless Steel or Medium to Heavy Duty Cast Aluminum

Mounting Pan: Aluminum (Opt.);

Galvanized Steel or Phenolic Materials available upon request.

*Note: Aluminum Mounting Pan will be provided if mounting pan is requested, unless otherwise noted.



Certificate
Number
03.059.1

**ISO
9001 With Design**

Approvals:

UL CLASSIFIED - Standard 1203, UL-14600

UL CLASSIFIED - With Viewing window - UL E139669 (meter enclosure)

cUL (Canada) - Standard C22.2 No. 30-M1986 & No. 25-1966

Compliances:

CL. I, Div. 1 & 2 Groups B, C & D

CL. II, Div. 1 & 2 Groups E, F & G

CL. III

NEMA 3, 4X (Optional), 7 & 9



Explosion-Proof Flat Cover Junction Boxes "AXJ-FCS" Series

CATALOG NUMBER	INSIDE DIMENSIONS (INCHES)			COVER THICKNESS (INCHES)		OUTSIDE DIMENSIONS (INCHES)			MOUNTING (INCHES)		MTG. PAN	MTG. PAN DIM.		HINGE CAT. # *	LUG BOLT SIZE (IN.)	MAX. CONDUIT (INCHES)	EST. WEIGHT (LBS.)
	AXJ	W	L	D	BB	A	B	C	E	F		---	W				
4164-FCS	4	16	4-1/8	7/8	8	20	5-1/2	12-1/8	6-3/4	N1	3	15	H1/HC1	3/8	2	33	
664-FCS	6	6	4	3/4	9-3/4	9-3/4	5-1/4	5-1/8	9-1/8	N1	5	5	H1/HC1	3/8	2	17	
684-FCS	6	8	4	7/8	9-3/4	11-3/4	5-7/16	4-1/2	9-1/8	N1	5	7	H1/HC1	3/8	2	23	
685-FCS	6	8	5	7/8	9-3/4	11-3/4	6-7/16	4-1/2	9-1/8	N1	5	7	H1/HC1	3/8	2	25	
686-FCS	6	8	6	7/8	9-3/4	11-3/4	7-7/16	4-1/2	9-1/8	N1	5	7	H1/HC1	3/8	2	26	
6104-FCS	6	10	4	7/8	10	14	5-7/16	6-1/2	9-1/8	N1	5	9	H1/HC1	3/8	2	26	
6115-FCS	6	11	5	7/8	10	15	6-27/64	8	9-1/8	N1	5	10	H1/HC1	3/8	2	29	
6124-FCS	6	12	4	7/8	10	16	5-7/16	8-1/2	9-1/8	N1	5	11	H1/HC1	3/8	2	30	
6126-FCS	6	12	6	7/8	10	16	7-7/16	8-1/2	9-1/8	N1	5	11	H1/HC1	3/8	2	36	
6135-FCS	6	13	5	7/8	10	17	6-7/16	9-1/2	9-1/8	N1	5	12	H1/HC1	3/8	2	34	
6164-FCS	6	16	4	7/8	10-1/2	20-1/2	5-17/32	12-1/8	9-1/8	N1	5	15	H1/HC1	3/8	2	42	
6186-FCS	6	18	6	7/8	10-1/2	22-1/2	7-17/32	13-1/8	9-1/8	N1	5	17	H1/HC1	3/8	3	46	
#6485-FCS	6	48	5	7/8	10	52	6-1/4	40	8	N1	5	46	3H1/3HC1	3/8	2	109	
7104-FCS	7	10	4	7/8	11-1/2	14-1/2	5-17/32	6-1/2	9-3/4	N1	6	9	H1/HC1	3/8	2	20	
7106-FCS	7	10	6	7/8	11-1/2	14-1/2	7-17/32	6-1/2	9-3/4	N1	6	9	H1/HC1	3/8	3	25	
7185-FCS	7	18	5	7/8	11-1/2	22-1/2	6-17/32	14-1/2	9-3/4	N1	6	17	H1/HC1	3/8	2	60	
884-FCS	8	8	4	7/8	12-1/2	12-1/2	5-17/32	4-1/2	10-3/4	N1	6-1/2	6-1/2	H1/HC1	3/8	2	33	
886-FCS	8	8	6	7/8	12-1/2	12-1/2	7-17/32	4-1/2	10-3/4	N1	6-1/2	6-1/2	H1/HC1	3/8	3	36	
888-FCS	8	8	8	7/8	12-1/2	12-1/2	9-17/32	4-1/2	10-3/4	N1	6-1/2	6-1/2	H1/HC1	3/8	4	39	
8104-FCS	8	10	4	7/8	12-1/2	14-1/2	5-17/32	6-1/2	10-3/4	N1	6-1/4	8-1/4	H1/HC1	3/8	2	36	
8106-FCS	8	10	6	7/8	12-1/2	14-1/2	7-17/32	6-1/2	10-3/4	N1	6-1/4	8-1/4	H1/HC1	3/8	3	41	
8108-FCS	8	10	8	7/8	12-1/2	14-1/2	9-17/32	6-1/2	10-3/4	N1	6-1/4	8-1/4	H1/HC1	3/8	4	46	
8124-FCS	8	12	4	7/8	12-1/2	16-1/2	5-17/32	8-5/8	10-3/4	N1	6-1/2	10-1/2	H1/HC1	3/8	2	41	
8126-FCS	8	12	6	7/8	12-1/2	16-1/2	7-17/32	8-5/8	10-3/4	N1	6-1/2	10-1/2	H1/HC1	3/8	3	46	
8128-FCS	8	12	8	7/8	12-1/2	16-1/2	9-17/32	8-5/8	10-3/4	N1	6-1/2	10-1/2	H1/HC1	3/8	4	50	
9115-FCS	9	11	5	7/8	13-1/2	15-1/2	6-17/32	6	13-1/8	N1	7-1/2	9-1/2	H1/HC1	3/8	2	46	
10104-FCS	10	10	4	1	14-1/2	14-1/2	5-3/4	6-1/2	13	N1	8-1/2	8-1/2	H1/HC1	3/8	2	40	
10106-FCS	10	10	6	1	14-1/2	14-1/2	7-3/4	6-1/2	13	N1	8-1/2	8-1/2	H1/HC1	3/8	3	50	
10108-FCS	10	10	8	1	14-1/2	14-1/2	9-3/4	6-1/2	13	N1	8-1/2	8-1/2	H1/HC1	3/8	4	57	
10144-FCS	10	14	4	1	14-1/2	18-1/2	5-7/8	10-5/8	13	N1	8	12	H1/HC1	3/8	2	60	
10146-FCS	10	14	6	1	14-1/2	18-1/2	7-7/8	10-5/8	13	N1	8	12	H1/HC1	3/8	3	68	
10148-FCS	10	14	8	1	14-1/2	18-1/2	9-7/8	10-5/8	13	N1	8	12	H1/HC1	3/8	4	75	
12124-FCS	12	12	4	1-1/8	17	17	5-55/64	8-5/8	15-3/4	N1	10	10	H1/HC1	1/2	2	70	
12126-FCS	12	12	6	1-1/8	17	17	7-55/64	8-5/8	15-3/4	N1	10	10	H1/HC1	1/2	3	77	
12126LW-FCS	12	12	6	7/8	16	16	10-3/64	8-5/8	15-3/4	N1	10	10	H1/HC1	1/2	4	58	
12128-FCS	12	12	8	1-1/8	17	17	7-5/8	8-5/8	15-3/4	N1	10	10	H1/HC1	1/2	4	87	
12184-FCS	12	18	4	1-1/8	17	23	6	14-1/8	15-3/4	N1	10	16	H2	1/2	2	102	
12186-FCS	12	18	6	1-1/8	17	23	8	14-1/8	15-3/4	N1	12	16	H2	1/2	3	116	
12188-FCS	12	18	8	1-1/8	17	23	10	14-1/8	15-3/4	N1	12	16	H2	1/2	4	120	
12205-FCS	12	20	5	1-1/8	17	25	7	14-3/8	15-3/4	N1	10	18	H2	1/2	2	111	
12244-FCS	12	24	4	1-1/8	17-1/8	29-1/8	6-3/16	18-3/4	15-3/4	N1	10	22	H2	1/2	2	126	
12246-FCS	12	24	6	1-1/8	17-1/8	29-1/8	8-3/16	18-3/4	15-3/4	N1	10	22	H2	1/2	3	142	
12248-FCS	12	24	8	1-1/8	17-1/8	29-1/8	10-3/16	18-3/4	15-3/4	N1	10	22	H2	1/2	4	154	
122410-FCS	12	24	10	1-1/8	17-1/8	29-1/8	12-3/16	18-3/4	15-3/4	N1	10	22	H2	1/2	4	165	
12306-FCS	12	30	6	1-1/8	17	35	8-1/8	23	15-3/4	N1	10	28	H2	1/2	3	177	

* Note: (H1) = Stainless Steel Modular Hinge, (HC1, H2) = Cast Aluminum Hinge

1025 Eagon Street Barberton, Ohio 44203 Ph: 330-745-8891 Fax: 330-745-2504
www.AkronElectric.Com E-Mail: Sales@AkronElectric.Com

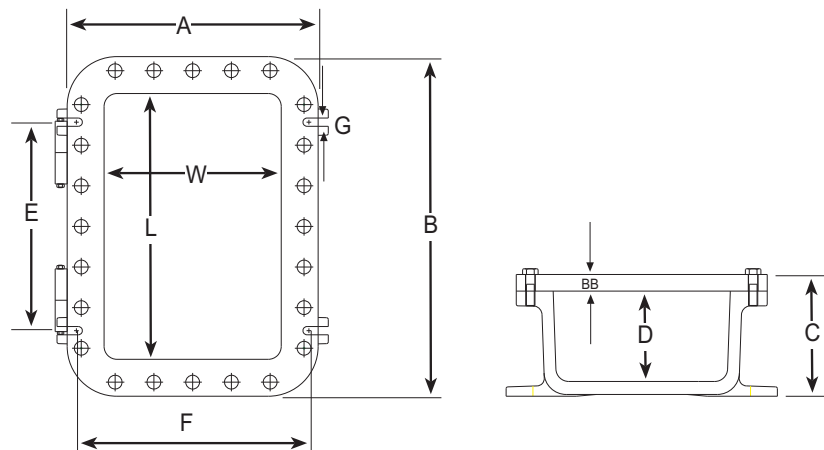
Explosion-Proof Flat Cover Junction Boxes "AXJ-FCS" Series

CATALOG NUMBER	INSIDE DIMENSIONS (INCHES)			COVER THICKNESS (INCHES)	OUTSIDE DIMENSIONS (INCHES)			MOUNTING (INCHES)		MTG. PAN	MTG. PAN DIM.		HINGE CAT. #*	LUG BOLT SIZE (IN.)	MAX. CONDUIT (INCHES)	EST. WEIGHT (LBS.)
	AXJ	W	L		D	BB	A	B	C		E	F				
12364-FCS	12	36	4	1-1/8	17	41	6-1/8	29	15-3/4	N1	10	34	3H2	1/2	2	197
12366-FCS	12	36	6	1-1/8	17	41	8-1/8	29	15-3/4	N1	10	34	3H2	1/2	3	210
12368-FCS	12	36	8	1-1/8	17	41	10-1/8	29	15-3/4	N1	10	34	3H2	1/2	4	222
12468-FCS	12	46	8	1-1/16	17-1/8	51-1/8	10-1/8	15-3/4	39	N1	10	44	3H2	1/2	4	260
14144-FCS	14	14	4	1-1/16	19-1/8	19-1/8	6	9-3/4	17-1/2	N1	12	12	H2	1/2	2	83
14146-FCS	14	14	6	1-1/16	19-1/8	19-1/8	8	9-3/4	17-3/4	N1	12	12	H2	1/2	3	94
14148-FCS	14	14	8	1-1/16	19-1/8	19-1/8	10	9-3/4	17-3/4	N1	12	12	H2	1/2	4	104
14286-FCS	14	28	6	1-1/16	19-1/8	33-1/8	8	22-1/2	17-3/4	N1	12	26	H2	1/2	3	153
16164-FCS	16	16	4	1-1/4	21-1/8	21-1/8	6-1/8	11	19-3/4	N1	14	14	H2	5/8	2	103
16166-FCS	16	16	6	1-1/4	21-1/8	21-1/8	8-1/8	11	19-3/4	N1	14	14	H2	5/8	3	120
16168-FCS	16	16	8	1-1/4	21-1/8	21-1/8	10-1/8	11	19-3/4	N1	14	14	H2	5/8	4	143
16246-FCS	16	24	6	1-1/4	21-1/8	29-1/8	8-3/16	8-3/8	19-3/4	N1	14	22	H2	5/8	3	174
16248-FCS	16	24	8	1-1/4	21-1/8	29-1/8	10-3/16	18-3/8	19-3/4	N1	14	22	H2	5/8	4	194
162410-FCS	16	24	10	1-1/4	21-1/8	29-1/8	12-3/16	18-3/8	19-3/4	N1	14	22	H2	5/8	4	212
164610-FCS	16	46	10	1-3/8	21-1/8	51-1/8	12-1/2	39	19-3/4	N1	14	44	3H2	5/8	4	370
18184-FCS	18	18	4	1-1/4	23-1/8	23-1/8	6-1/4	13	21-3/4	N1	16	16	H2	5/8	2	131
18186-FCS	18	18	6	1-1/4	23-1/8	23-1/8	8-1/4	13	21-3/4	N1	16	16	H2	5/8	3	149
18188-FCS	18	18	8	1-1/4	23-1/8	23-1/8	10-1/4	13	21-3/4	N1	16	16	H2	5/8	4	176
18246-FCS	18	24	6	1-3/8	23-1/8	29-1/8	8-3/8	18-3/8	21-3/4	N1	16	22	H2	5/8	3	193
18248-FCS	18	24	8	1-3/8	23-1/8	29-1/8	10-3/8	18-3/8	21-3/4	N1	16	22	H2	5/8	4	210
182410-FCS	18	24	10	1-3/8	23-1/8	29-1/8	12-3/8	18-3/8	21-3/4	N1	16	22	H2	5/8	4	234
18308-FCS	18	30	8	1-3/8	23-1/8	35-1/8	10-5/8	23	21-3/4	N1	16	28	H2	5/8	4	268
18368-FCS	18	36	8	1-1/2	23-1/2	41-1/2	11	30	21-3/4	N1	14	32	3H3	5/8	4	410
183610-FCS	18	36	10	1-1/2	23-1/2	41-1/2	12-15/16	29	21-3/4	N1	14	32	3H3	5/8	4	436
24248-FCS	24	24	8	1-3/8	29-1/2	29-1/2	10-13/16	18-3/8	28	N1	20	20	H3	5/8	4	306
242410-FCS	24	24	10	1-3/8	29-1/2	29-1/2	12-1/2	18-3/8	28	N1	20	20	H3	5/8	4	320
24308-FCS	24	30	8	1-3/8	29-1/8	35-1/8	10-3/8	23	28	N1	22	28	H3	5/8	4	306
24368-FCS	24	36	8	1-3/8	30	42	11-1/8	29	28	N1	22	28	3H3	5/8	4	471
243610-FCS	24	36	10	1-3/8	30	42	13-1/8	29	28	N1	20	32	3H3	5/8	4	501

NEMA 4X, 7, 9 enclosures are designed to third party specifications. These boxes carry no formal listings.

Note: (H2, H3) = Cast Aluminum Hinge

All Dimensions are for Reference Only - C/F for questions regarding design dimensional data



- Consult Factory if larger Mounting Pan is needed
- Mounting feet will be aligned right & left (as shown) unless otherwise specified.
- 9 x 11 x 5 Mounting Feet are top & bottom std.
- For an enclosure size not listed above or a special application, contact Akron Electric.
- All conduit runs must be sealed within 6 inches of the enclosure.
- Note: Enclosures have internal taper (draft) of 1/16" per inch of depth *(dimensions "W" and "L" are across top of base).
- Hinges and mounting pans are not included as standard.
- See pages 33-38 for ordering information, modifications and conduit working area.



Akron Drilling & Tapping Instructions Customer Design Sheet

X
P
J
U
N
C
T
I
O
N
B
O
O
K
E
S

Please fill in the appropriate fields to customize your own enclosure
FAX this form to: 330-745-2504 OR
Scan & E-mail this form to: sales@akronelectric.com

Cover Layout

Catalog Product Series: _____ (AXJ, CXJ, etc.)
Quantity of enclosures: ()

Note: For custom machining in cover,
use Center Lines as a central point for
all dimensions
(AXJ Series: Metering Viewing Window Only)

Hinges:

- Stainless Steel Hinges; H1
- Cast Aluminum Hinges; HC1, H2, H3

Hinge Location:

- Left
- Right

Certification:

- UL
- UL/CSA
- CSA
- ATEX (-CEN)
- No formal certification, NEMA 7 Only

O-Ring:

- YES
- NO

Bolts:

- Stainless Steel (-N5), req'd. with N4
- S.S. Captive Quick Thread (-E3)
(Triple Lead)
- Standard

Mounting Feet:

- Right/Left
- Top/Bottom

Mounting Pan:

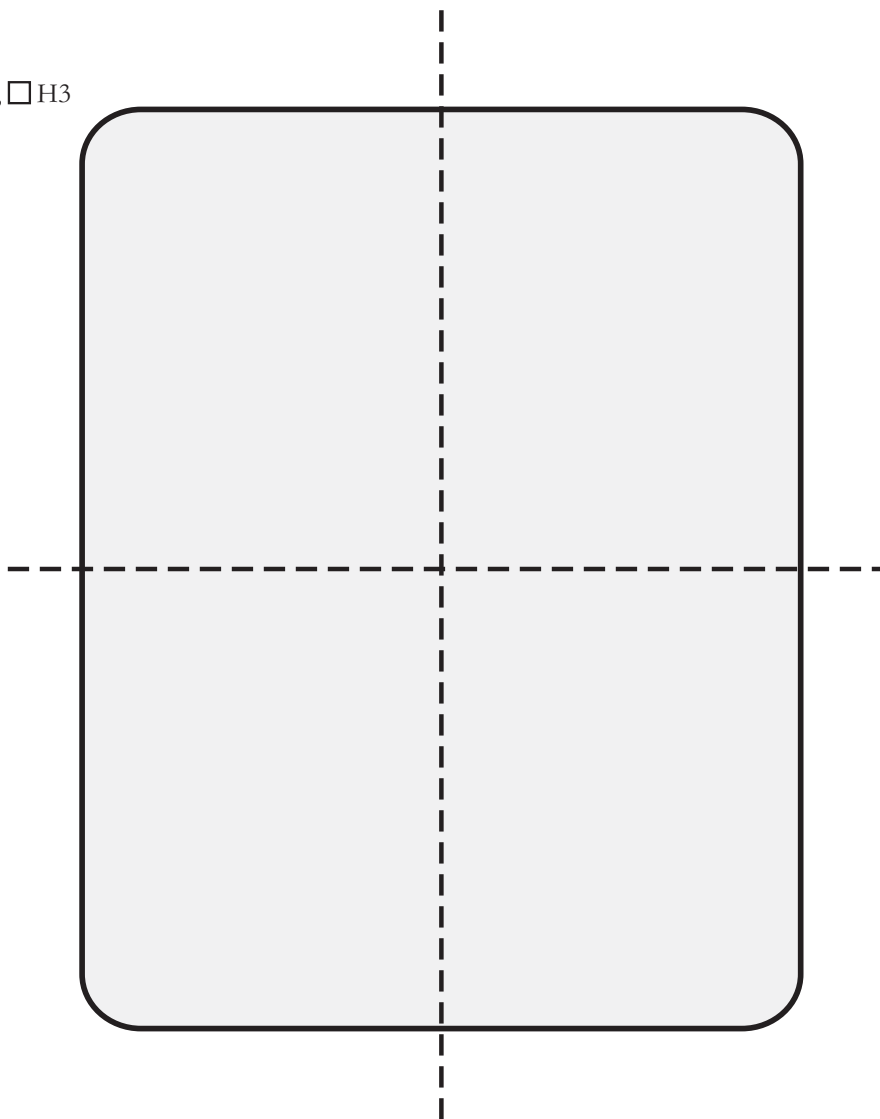
- Standard (Aluminum) (-N1)
- Galvanized (-N2)
- Phenolic (-N3)

Breather / Drain:

- Breather
- Drain
- Breather & Drain

Hinge Lift:

- HL



Akron Electric, Inc.

Manufacturers of Explosion-Proof Enclosures & Electrical Systems

Akron Drilling & Tapping Instructions Customer Design Sheet

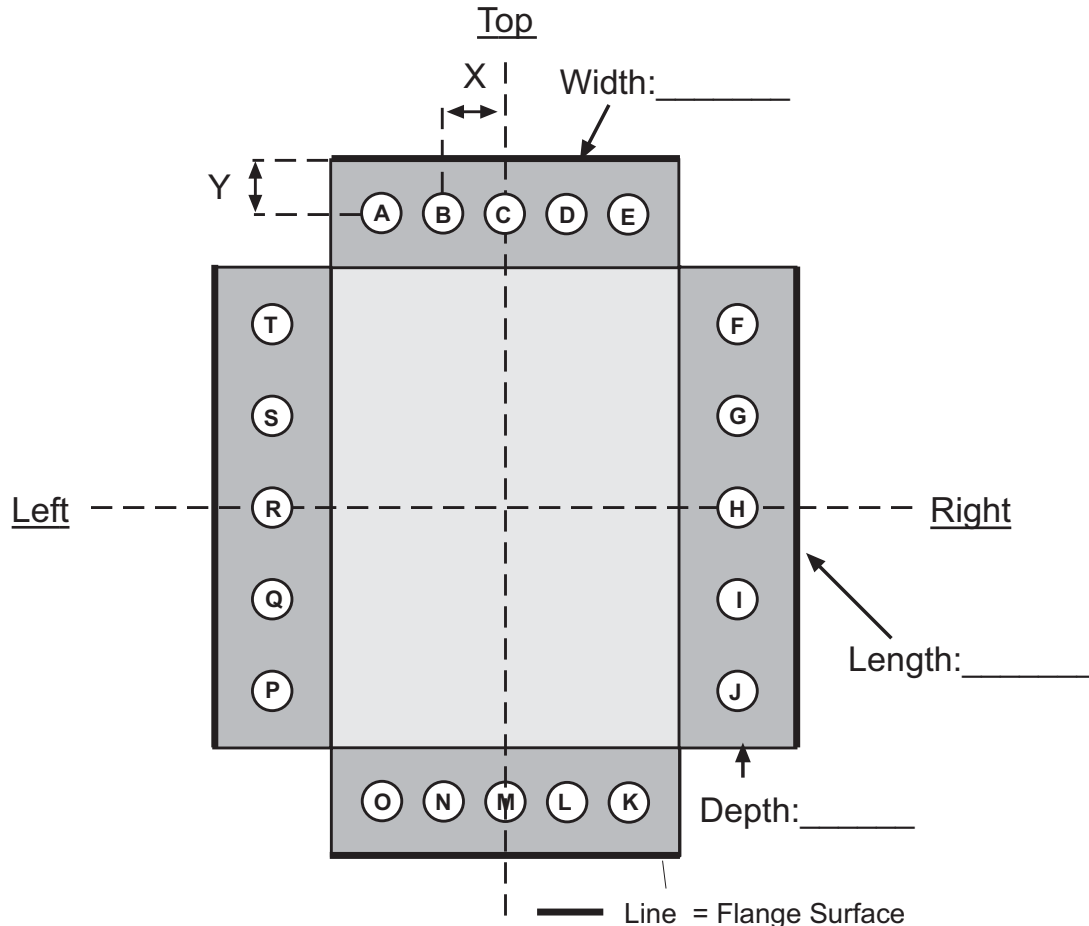
X
P
J
U
N
C
T
I
O
N
B
O
X
E
S

Please fill in the appropriate fields to customize your own enclosure
 FAX this form to: 330-745-2504 OR
 Scan & E-mail this form to: sales@akronelectric.com

Base Layout

Catalog Product Series: _____ (AXJ, CXJ, etc.)

Quantity of enclosures: (_____)



Note: X = Distance from Center Line
 Y = Distance from Top of Enclosure (Flange Surface)

Bottom

Location	NPT Description:	Size	X	Y
A				
B				
C				
D				
E				
F				
G				
H				
I				
J				
K				

Location	NPT Description:	Size	X	Y
L				
M				
N				
O				
P				
Q				
R				
S				
T				
Breather		1/2" NPT		
Drain		1/2" NPT		



Explosion-Proof Junction Box Ordering Information

TABLE I - OPTIONAL MODIFICATIONS

H1= Stainless Steel Hinge kit (used for AXJ 12126 and smaller)
 HC1= Aluminum Cast Hinge kit (available for AXJ 12126 and smaller)
 H2= Medium Duty Cast Aluminum Hinge kit (used for AXJ 12184 to AXJ 18308 enclosures)
 H3= Heavy Duty Cast Aluminum Hinge kit (used for AXJ 18368 to AXJ 346810 enclosures)
 N1= Aluminum mounting panel
 N2= Galvanized mounting panel
 N3= Phenolic mounting panel

N4= NEMA 4 O-ring gasket
 N5= Stainless Steel rust proof cover bolts
 E1= Corrosion proof epoxy coating on outside
 E2= Corrosion proof epoxy coating on inside/outside
 E3= Triple Lead Stainless Steel (316) Captive Quick Thread cover bolts
 BD= Breather or Drain with 1/2" NPT (please specify)
 2BD= Breather & Drain

*Note: Multiple Hinges needed on some enclosures

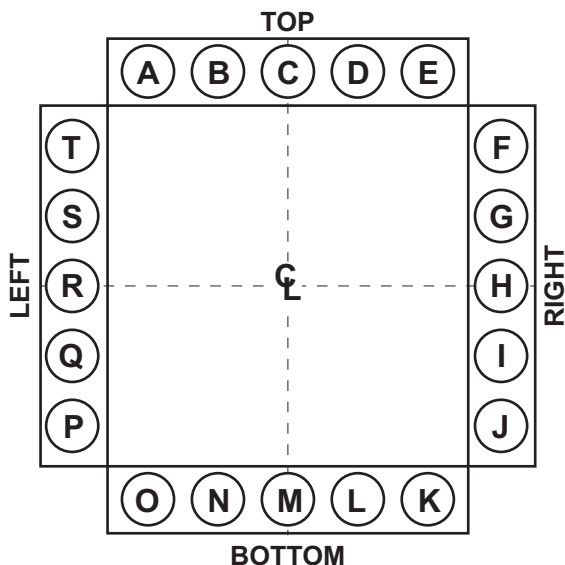
TABLE II - CONDUIT SPACING

Outlet Code	Trade Size of Conduit (NPT)	MINIMUM CENTER TO CENTER CONDUIT SEPARATIONS INCHES (mm)									
		4 (M90)	3-1/2 (M85)	3 (M80)	2-1/2 (M75)	2 (M63)	1-1/2 (M50)	1-1/4 (M40)	1 (M32)	3/4 (M25)	1/2 (M20)
1	1/2	3-5/8 (92.08)	3-3/8 (85.73)	3 (76.2)	2-5/8 (66.68)	2-3/8 (60.33)	2 (50.8)	2 (50.8)	1-3/4 (44.45)	1-5/8 (41.28)	1-1/2 (38.1)
2	3/4	3-3/4 (95.25)	3-1/2 (88.9)	3-1/8 (79.38)	2-3/4 (69.85)	2-1/2 (63.5)	2-1/8 (53.98)	2-1/8 (53.98)	1-7/8 (47.63)	1-3/4 (44.45)	
3	1	4 (101.6)	3-5/8 (92.08)	3-1/4 (82.55)	3 (76.2)	2-5/8 (66.68)	2-3/8 (60.33)	2-3/8 (60.33)	2 (50.8)		
4	1-1/4	4-1/4 (107.95)	4 (101.6)	3-5/8 (92.08)	3-1/4 (82.55)	3 (76.2)	2-5/8 (66.68)	2-5/8 (66.68)			
5	1-1/2	4-1/4 (107.95)	4 (101.6)	3-5/8 (92.08)	3-1/4 (82.55)	3 (76.2)	2-5/8 (66.68)				
6	2	4-5/8 (117.48)	4-1/4 (107.95)	3-7/8 (98.43)	3-5/8 (92.08)	3-1/4 (82.55)					
7	2-1/2	4-7/8 (123.83)	4-5/8 (117.48)	4-1/4 (107.95)	3-7/8 (98.43)						
8	3	5-3/8 (136.53)	5 (127)	4-5/8 (117.48)							
9	3-1/2	5-5/8 (142.88)	5-1/4 (133.35)								
10	4	5-7/8 (149.23)									

* If seals are used, extra clearance may be required. Check dimensions of seals and fittings to determine required spacing. Consult factory for assistance.

Size	Pitch	Trade Size of Conduit (NPT)	Threads Per Inches	Minimum Wall Thickness (Inches)
M50	1.5, 2	1/2 - 3/4	14	.357
M80	2	1 - 2	11-1/2	.435
M90	2	2-1/2 - 4	8	.625

TABLE III - CONDUIT LOCATIONS



ORDERING INSTRUCTIONS

- 1) Select enclosure size.
- 2) Select modifications from table I.
- 3) Select letter from table III to specify each conduit hole location.
- 4) Select the outlet code number to indicate the size desired conduit from table II.
- 5) Add all modifications from table I to the end of the junction box catalog number.
- 6) List conduit size and location on separate line from catalog number modifications.

Example:

**AXJ12186-H2-N1-N4-N5
(C1-H3-M2-R2)**

Example above includes the following:

- AXJ 12" X 18" X6" Enclosure
 (H2) Medium duty cast hinge
 (N1) Mounting pan
 (N4) NEMA 4X O-ring gasket
 (N5) Corrosion proof Stainless steel rust proof cover bolts
 (1) 1/2" NPT hole at location "C"
 (1) 1" NPT hole at location "H"
 (1) 3/4" NPT hole at location "M" & "R"

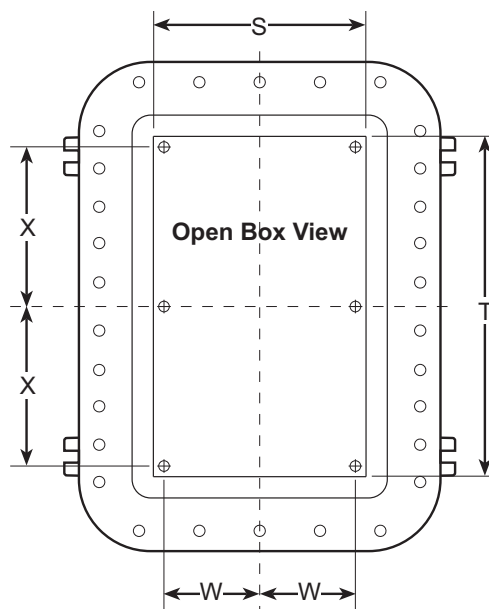
Explosion-Proof Junction Box Mounting Pans & Hinges

AXJ & AXJ-FCS

Mounting Pan Dimensions / Specifications

Box Inside Dimension		Mounting Pan Dimension		Mounting Boss Dimension		Number of Bosses	Hinge Type	Box Inside Dimension		Mounting Pan Dimension		Mounting Boss Dimension		Number of Bosses	Hinge Type
W	L	S	T	W	X			W	L	S	T	W	X		
4	16	3	15	---	---	0	H1/HC1	12	20	10	18	4-1/2	8-1/2	4	H2
6	6	5	5	1-3/4	1-3/4	4	H1/HC1	12	24	10	22	4-1/2	10-1/2	4	H2
6	8	5	7	1-3/4	2-3/4	4	H1/HC1	12	30	10	28	4-1/2	13-1/2	6	H2
6	10	5	9	1-1/2	3-1/2	4	H1/HC1	12	36	10	34	4	16	6	*H2
6	11	5	10	1-1/2	4-1/2	4	H1/HC1	12	46	10	44	4	21	6	*H2
6	12	5	11	1-1/2	4-1/2	4	H1/HC1	14	14	12	12	5-1/2	5-1/2	4	H2
6	13	5	12	1-1/2	5	4	H1/HC1	14	28	12	26	5	12	6	H2
6	16	5	15	1-1/2	6-1/2	4	H1/HC1	16	16	14	14	6-1/2	6-1/2	4	H2
6	18	5	17	1-1/2	6-1/2	4	H1/HC1	16	24	14	22	6-1/2	10	4	H2
6	48	5	46	---	20	4	*H1/HC1	16	46	14	44	6	21	6	*H2
7	10	6	9	2	3-1/2	4	H1/HC1	18	18	16	16	7	7	4	H2
7	18	6	17	2-1/2	6-1/2	4	H1/HC1	18	24	16	22	7-1/2	10	6	H2
8	8	6-1/2	6-1/2	2-1/2	2-1/2	4	H1/HC1	18	30	16	28	7	13	6	H2
8	10	6-1/4	8-1/4	2-1/2	3-1/2	4	H1/HC1	18	36	14	32	6	14-1/2	6	*H3
8	12	6-1/2	10-1/2	2-1/2	4-1/2	4	H1/HC1	24	24	20	20	9	9	6	H3
9	11	7-1/2	9-1/2	3	4	4	H1/HC1	24	30	22	28	10	13	6	H3
10	10	8-1/2	8-1/2	3-1/2	3-1/2	4	H1/HC1	24	36	20	32	8-1/2	14-1/2	6	*H3
10	14	8	12	3-3/8	5-5/16	4	H1/HC1	32	36	30	34	14	16	6	*H3
12	12	10	10	4-1/2	4-1/2	4	H1/HC1	34	68	32	66	---	---	0	*H3
12	12LW	10	10	4-1/2	4-1/2	0	H1/HC1	38	38	36	36	---	---	0	*H3
12	18	10	16	4-1/2	7-1/2	4	H2	Note: All dimensions are for reference only, in inches Note: C/F If larger Mounting Pan Required Note: Mounting Bosses are 1/8" standard height. This dimension is not a part of dimension "D" - depth of enclosure base.							

* Additional hinges are required for enclosures with lengths (L) of 36 inches or longer.
Note: Hinges are mounted on left side as standard (unless specified).





Explosion-Proof Junction Box Mounting Pans & Hinges

Junction Box Hinge Kit Nomenclatures

Enclosure Size	Hinge	Enclosure Size	Hinge
4164	H1/HC1	12366	3H2
664	H1/HC1	12368	3H2
684	H1/HC1	12468	3H2
685	H1/HC1	14144	H2
686	H1/HC1	14146	H2
6104	H1/HC1	14148	H2
6115	H1/HC1	14286	H2
6124	H1/HC1	16164	H2
6126	H1/HC1	16166	H2
6135	H1/HC1	16168	H2
6164	H1/HC1	16246	H2
6186	H1/HC1	16248	H2
6485	3H1/3HC1	162410	H2
7104	H1/HC1	164610	3H2
7106	H1/HC1	18184	H2
7185	H1/HC1	18186	H2
884	H1/HC1	18188	H2
886	H1/HC1	18246	H2
888	H1/HC1	18248	H2
8104	H1/HC1	182410	H2
8106	H1/HC1	18308	H2
8108	H1/HC1	18368	3H3
8124	H1/HC1	183610	3H3
8126	H1/HC1	24248	H3
8128	H1/HC1	242410	H3
9115	H1/HC1	24308	H3
10104	H1/HC1	24368	3H3
10106	H1/HC1	243610	3H3
10108	H1/HC1	323612	3H3
10144	H1/HC1	346810	4H3
10146	H1/HC1	38388	3H3
10148	H1/HC1	383816	3H3
12124	H1/HC1		
12126	H1/HC1		
12126LW	H1/HC1		
12128	H1/HC1		
12184	H2		
12186	H2		
12188	H2		
12205	H2		
12244	H2		
12246	H2		
12248	H2		
122410	H2		
12306	H2		
12364	3H2		



H1



H2/H3

Note: (H1) = Stainless Steel Modular Hinge
(HC1, H2 & H3) = Cast Aluminum Hinge

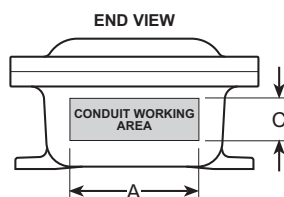
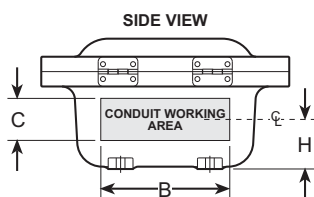
Explosion-Proof Junction Box Conduit Working Area

AXJ & AXJ-FCS

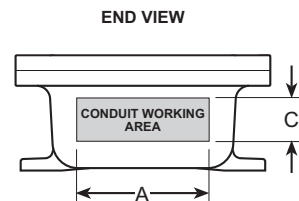
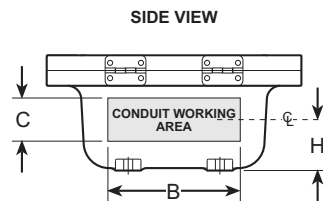
ENCLOSURE CATALOG NUMBER AXJ	SHORT SIDE		LONG SIDE		CL OF WORKING AREA H	ENCLOSURE CATALOG NUMBER AXJ	SHORT SIDE		LONG SIDE		CL OF WORKING AREA H
	WIDTH A	DEPTH C	LENGTH B	DEPTH C			WIDTH A	DEPTH C	LENGTH B	DEPTH C	
4164	2-1/2	2-1/8	14-1/2	2-1/8	2-1/2	12205	9-13/16	2-5/8	17-13/16	2-5/8	3-1/8
664	4-3/4	2-3/8	4-3/4	2-3/8	2-1/4	12244	10	1-5/8	22	1-5/8	2-3/4
684	4-3/4	2-1/4	6-3/4	2-1/4	2-3/8	12246	9-13/16	3-5/8	21-13/16	3-5/8	3-3/4
685	4-1/2	3-1/4	6-1/2	3-1/4	2-7/8	12248	9-11/16	5-5/8	21-11/16	5-5/8	4-3/4
686	4-1/2	4-1/4	6-1/2	4-1/4	3-3/8	122410	9-9/16	7-5/8	21-9/16	7-5/8	5-3/4
6104	4-3/4	2-3/8	8-3/4	2-3/8	2-3/8	12306	9-13/16	3-5/8	27-13/16	3-5/8	3-3/4
6115	4-5/16	3-1/8	9-5/16	3-1/8	3-7/8	12364	8-1/2	1-1/4	32-1/2	1-1/4	2-7/8
6124	4-1/2	2-1/8	10-1/2	2-1/8	2-3/8	12366	8-5/16	3-1/4	32-5/16	3-1/4	3-7/8
6126	4-5/16	4-1/8	10-5/16	4-1/8	3-3/8	12368	8-3/16	5-1/4	32-3/16	5-1/4	4-7/8
6135	4-5/16	3-1/8	11-5/16	3-1/8	2-7/8	12468	8-3/16	5-1/4	42-3/16	5-1/4	4-7/8
6164	4-3/4	2-1/8	14-3/4	2-1/8	2-1/2	14144	12	1-5/8	12	1-5/8	2-3/4
6186	4-9/16	4-1/8	16-9/16	4-1/8	3-1/2	14146	11-13/16	3-5/8	11-13/16	3-5/8	3-3/4
6485	4-1/2	3-1/8	46-1/2	3-1/8	3-5/8	14148	11-11/16	5-5/8	11-11/16	5-5/8	4-3/4
7104	5-1/2	2-1/8	8-1/2	2-1/8	2-1/2	14286	10-5/16	3-1/4	24-5/16	3-1/4	3-7/8
7106	5-5/16	4-1/8	8-5/16	4-1/8	3-1/2	16164	14	1-1/2	14	1-1/2	2-3/4
7185	5-7/16	3-1/8	16-7/16	3-1/8	3	16166	13-13/16	3-1/2	13-13/16	3-1/2	3-3/4
884	6-1/2	2-1/8	6-1/2	2-1/8	2-1/2	16168	13-11/16	5-1/2	13-11/16	5-1/2	4-3/4
886	6-5/16	4-1/8	6-5/16	4-1/8	3-1/2	16246	13-13/16	3-1/2	21-13/16	3-1/2	3-5/8
888	6-3/16	6-1/8	6-3/16	6-1/8	4-1/2	16248	13-11/16	5-1/2	21-11/16	5-1/2	4-5/8
8104	6-1/2	2-1/8	8-1/2	2-1/8	2-1/2	162410	13-9/16	7-3/8	21-9/16	7-3/8	5-3/4
8106	6-5/16	4-1/8	8-5/16	4-1/8	3-1/2	164610	12-1/16	7	42-1/16	7	6
8108	6-3/16	6-1/8	8-3/16	6-1/8	4-1/2	18184	15-3/4	1-3/8	15-3/4	1-3/8	2-3/4
8124	6-1/2	2-1/8	10-1/2	2-1/8	2-1/2	18186	15-9/16	3-3/8	15-9/16	3-3/8	3-3/4
8126	6-5/16	4-1/8	10-5/16	4-1/8	3-1/2	18188	15-7/16	5-3/8	15-7/16	5-3/8	5-1/8
8128	6-3/16	6-1/8	10-3/16	6-1/8	4-3/8	18246	15-9/16	3-1/4	21-9/16	3-1/4	3-3/4
9115	7-5/16	3-1/8	9-5/16	3-1/8	3	18248	15-7/16	5-1/4	21-7/16	5-1/4	4-3/4
10104	8-1/2	2	8-1/2	2	2-1/2	182410	15-5/16	7-1/4	21-5/16	7-1/4	5-3/4
10106	8-5/16	4	8-5/16	4	3-1/2	18308	15-7/16	5-1/4	27-7/16	5-1/4	4-3/4
10108	8-3/16	6	8-3/16	6	4-1/2	18368	14-3/16	3-5/8	32-3/16	3-5/8	5-3/8
10144	8	1-3/4	12	1-3/4	2-5/8	183610	14-1/16	6-1/2	32-1/16	6-1/2	6-1/4
10146	7-13/16	3-3/4	11-13/16	3-3/4	3-5/8	24248	21-15/16	5	21-15/16	5	5-1/2
10148	7-11/16	5-3/4	11-11/16	5-3/4	4-5/8	242410	21-13/16	6-5/8	21-13/16	6-5/8	6-1/4
12124	10	1-5/8	10	1-5/8	2-5/8	24308	21-7/16	5-1/4	27-7/16	5-1/4	4-3/4
12126	9-13/16	3-5/8	9-13/16	3-5/8	3-5/8	24368	21-15/16	3	33-15/16	3	5-3/4
12126LW	10-1/4	4-1/4	10-1/4	4-1/4	3-3/4	243610	21-13/16	5-5/8	33-13/16	5-5/8	6-3/8
12128	9-11/16	5-5/8	9-11/16	5-5/8	4-13/16	323612	29	2-3/4	33	2-3/4	4-3/4
12184	10	1-5/8	16	1-5/8	2-5/8	346810	21-9/16	2-1/8	55-9/16	2-1/8	4-7/8
12186	9-13/16	3-5/8	15-13/16	3-5/8	3-5/8	38388	22	5-1/8	22	5-1/8	7-1/2
12188	9-11/16	5-5/8	15-11/16	5-5/8	4-5/8	383816	22	5-1/8	22	5-1/8	7-1/2

Note: All dimensions are for reference only, in inches - C/F for questions regarding design dimensional data

AXJ



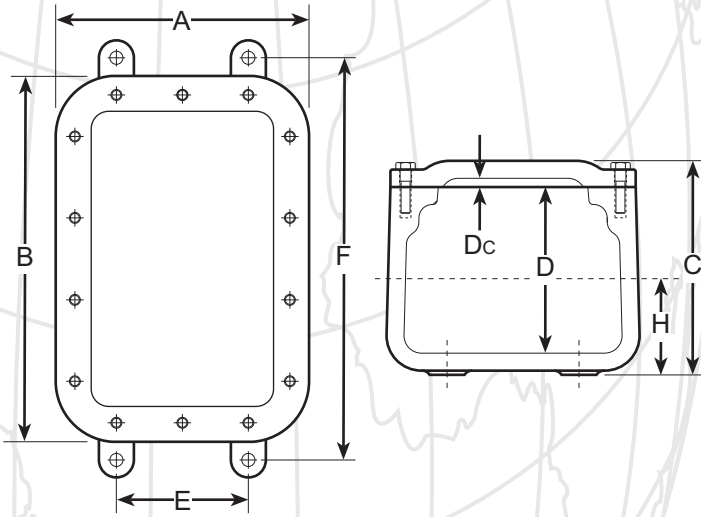
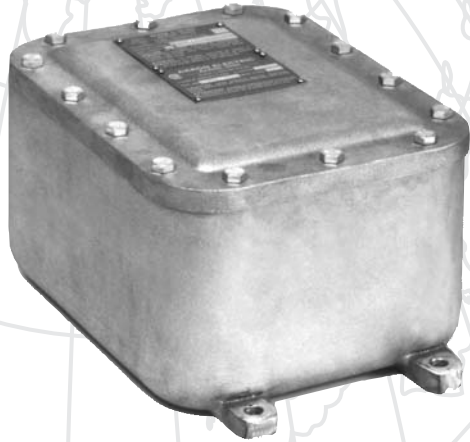
AXJ-FCS





Explosion-Proof Junction Boxes “EXI” Series

X P
J
U
N
C
T
I
O
N
B
O
X
E
S



Dimensions

CATALOG NUMBER	INSIDE DIMENSIONS (INCHES)				OUTSIDE DIMENSIONS (INCHES)			MOUNTING (INCHES)		LUG BOLT SIZE (INCHES)	CL OF CONDUIT AREA (INCHES)	MAX. CONDUIT (INCHES)	EST. WEIGHT (LBS.)
	W	L	D	Dc	A	B	C	E	F				
EXI 684	5-1/2	7-1/2	4-1/2	1/4	8-1/4	10-1/4	6-1/8	5	11-1/2	5/16	2-1/2	2	19
EXI 886	7-1/2	7-1/2	6	1/4	10-3/4	10-3/4	8	6	12-1/2	3/8	3-13/16	3	36
EXI 8126	6-3/4	10-3/4	6	1/4	10	14	8	5	16	1/2	3-13/16	3	46
EXI 8148	6-3/4	12-3/4	8	1/4	10	16	10	5	17-7/8	1/2	4-13/16	4	54
EXI 12126	11-1/2	11-1/2	6	1/4	15-3/4	15-3/4	8-5/16	9	17-1/2	1/2	3-5/8	3	79

Note: All dimensions are for reference only

“When space is tight, try our internal machined flange joint design EXI Series.”

Features:

- Internal machined flange joint design
- Integral cast mounting feet
- Ground lug package
- Cast mounting bosses
- All enclosures are suitable for field drilling and tapping
- Stainless Steel Shot

Materials:

- Enclosures: Copper-free Aluminum (less than 0.25% copper content)
- Cover Bolts: Cad-Plated Aluminum (Std.) or Stainless Steel (Optional)
- Hinges: Stainless Steel (Optional)
- Mounting Pan (Opt.): Aluminum*, Stainless Steel, Galvanized
- O-Ring (Opt.): Buna-N

*Note: Aluminum Mounting Pan will be provided if mounting pan is requested, unless otherwise noted.



Certificate Number 03.059.1

ISO 9001 With Design

Approvals:

- UL CLASSIFIED - Standard 886 - E94590
- CSA Certified (Canada) - Standard C22.2 No. 30-M1984 - LR64264

Compliances:

- N.E.C. (CSA) - Class. I, Div. 1 & 2 Groups B, C & D, NEMA 4X
- N.E.C. (UL) - Class I, Div 1 & 2 Groups C & D
- Class. II, Div. 1 & 2 Groups E, F & G
- Class. III
- NEMA 7 & 9

Explosion-Proof Junction Boxes “AXI” Series



Applications:

To be used as a Junction Box when space is limited

For use in Waste Water Treatment Plants, Processing Facilities, Refineries, Chemical Plants and other Hazardous Locations

“When a smaller enclosure is needed try our AXI Series. For controls in the same style enclosure see our CXI Series.”

Features:

All enclosures are available in NEMA 4X with neoprene gasket for water tight applications

All enclosures are suitable for field drilling and tapping.

Cast from copper-free aluminum (max. 0.25% copper content)

Attractive wheelabraste finish

Durable cast mounting feet and easily accessible grounding screw

Expanded internal space for splicing or terminal blocks

Ordering Instructions:

All “AXI” enclosures are shipped blank (no conduit holes) unless specified. Specify conduit size and location when ordering. See order form page.

To order NEMA-4 gasket, add suffix “N4” to part number (AXI 333-N4).

To order enclosures with operators (3/4” NPSM holes), see “CXI” series enclosures

Consult factory for specifications

See “order form page” on additional information to customize this enclosure.

Materials:

Enclosures: Copper-free Aluminum (less than 0.25% copper content)

Cover Bolts: Cad-Plated or Stainless Steel (Please Specify)

Mounting Pan (Opt.): Aluminum*, Phenolic, Galvanized

*Note: Aluminum Mounting Pan will be provided if mounting pan is requested, unless otherwise noted.



Certificate
Number
03.059.1

ISO
9001 With Design

Approvals:

UL CLASSIFIED - Standard 886 - E94590

cUL (AXI 4 & 6) - Standard C22.2 No. 30-M1986 and No. 25-1966

CSA Certified (AXI 3) - Standard C22.2 No. LR64264

Compliances:

N.E.C. - Class. I, Div. 1 & 2 Groups B*, C & D

Class. II, Div. 1 & 2 Groups E, F & G

Class. III

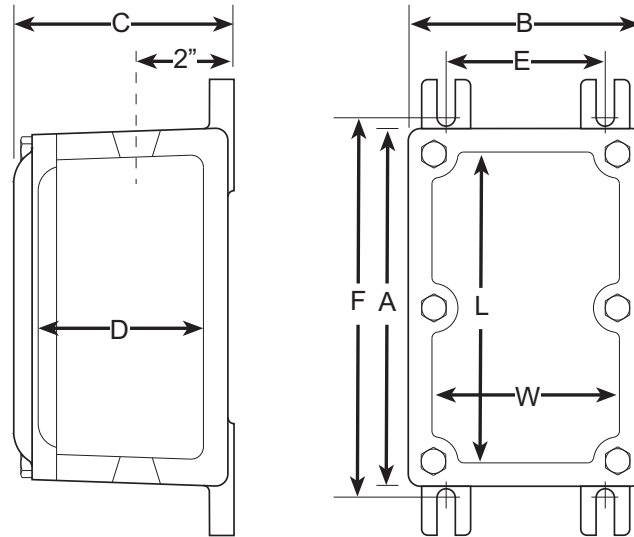
NEMA 7 & 9 (Optional 3, 4X)

* - AXI 484 Only



Explosion-Proof Junction Boxes "AXI" Series

X P JUNCTION BOXES



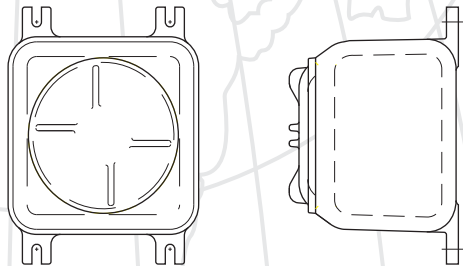
AXI Dimensions											
Catalog Number	Nominal Inside Dimensions			Dimensions In Inches					Est. Lbs.	Max. Conduit Size	Mtg. Bolt Size
	W	L	D	A	B	C	F	E			
AXI 333	3-1/2	3-1/2	3	4-9/16	4-9/16	4-1/2	5-1/2	3-1/4	5	1-1/4"	1/4"
AXI 363	3-1/2	6	3	7-1/16	4-9/16	4-1/2	8	3-1/4	6	1-1/4"	1/4"
AXI 373	3-1/2	7	3	8-1/16	4-9/16	4-1/2	9	3-1/4	7	1-1/4"	1/4"
AXI 393	3-1/2	9	3	10-1/16	4-9/16	4-1/2	11	3-1/4	8	1-1/4"	1/4"
AXI 3113	3-1/2	11	3	12-1/16	4-9/16	4-1/2	13	3-1/4	10	1-1/4"	1/4"
AXI 3133	3-1/2	13	3	14-1/16	4-9/16	4-1/2	15	3-1/4	11	1-1/4"	1/4"
AXI 3153	3-1/2	15	3	16-1/16	4-9/16	4-1/2	17	3-1/4	12	1-1/4"	1/4"
AXI 3183	3-1/2	18	3	19-1/16	4-9/16	4-1/2	20	3-1/4	14	1-1/4"	1/4"

AXI Dimensions											
Catalog Number	Nominal Inside Dimensions			Dimensions In Inches					Est. Lbs.	Max. Conduit Size	Mtg. Bolt Size
	W	L	D	A	B	C	F	E			
AXI 484	4-1/4	8	4	10-29/64	6-45/64	5-5/8	11-1/2	5-1/4	19	2"	1/4"
AXI 6104	6-1/2	10	4	11-1/16	7-9/16	6-1/8	11-27/32	6-1/4	21	2"	1/4"
AXI 6174	6-1/2	17	4	18-5/16	7-13/16	6-1/8	18-3/4	6-1/4	33	2"	1/4"
AXI 6244	6-1/2	24	4	25-13/16	7-13/16	6-1/8	26-1/4	6-1/4	45	2"	1/4"
AXI 6304	6-1/2	30	4	31-13/16	7-13/16	6-1/8	32-1/4	6-1/4	56	2"	1/4"

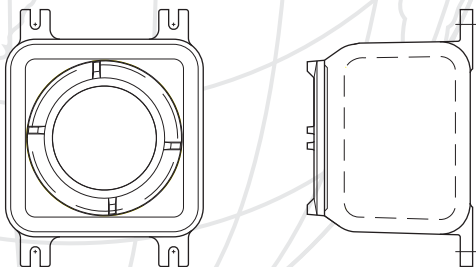
Note: All dimensions are for reference only

Explosion-Proof Threaded Cover / Metering Junction Box “XJATS / XJATG” Series

XJATS Solid-Cover Instrument Housing



XJATG Viewing-Glass Cover Metering Enclosure



“The XJAT Series Instrument Housing / Metering Enclosure comes standard with an easy access solid or glass NEMA 4X screw top cover”

Features:

- Threaded opening design provides easy access to components.
- Integral cast mounting feet.
- All enclosures suitable for drilling and tapping.
- Cast from copper - free aluminum - max. 0.25% copper content.
- Stainless steel shot blast or sandblasted natural finish.
- Available with solid or glass covers.
- NEMA 4X “O-Ring” standard with all threaded enclosures.



Certificate
Number
03.059.1

ISO
9001 With Design

Approvals:

- UL CLASSIFIED - Standard 886
- CSA Certified (Canada) - Standard C22.2 No. 30-M1986 & No. 25-1966

Compliances:

- N.E.C. - Class. I, Div. 1 & 2, Groups B, C & D
- Class. II, Div. 1 & 2, Groups E, F & G
- Class. III, Enclosure 4X
- NEMA 3, 4X, 7 & 9

ATEX Certification: (Optional)



- Exd IIC; IP 66 Rating; -20 C to +40 C;
- EN 50014 : 1997; EN 50018 : 2000
- Most current ATEX Directive *pending* (C/F for details)
- If ATEX Certification is required, please specify.
- Add “-CEN” to Part Number to designate ATEX. (Optional)



Explosion-Proof Junction Box "XJATS" Threaded Solid Cover Series

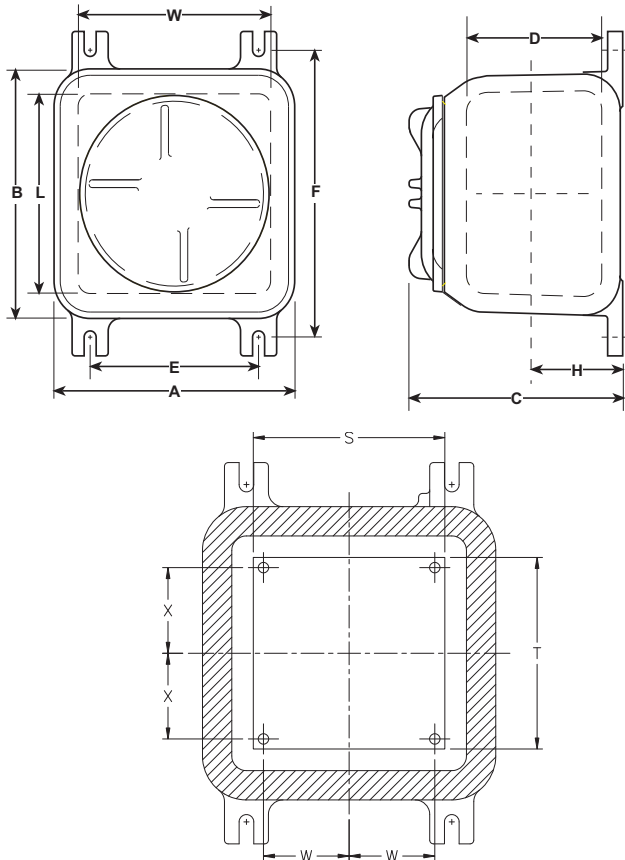
Catalog Number	Inside Dimensions (Inches)			Throat Opening	Outside Dimensions (Inches)			Mounting (Inches)		Conduit NPT		Weight (Lbs.) Est.
	W	L	D		A	B	C	E	F	Max Size	Standard LOC "H"	
# XJATS0*	3-3/4	3-3/4	2-11/16	4	4-3/4	4-3/4	5-1/2	3-3/4	5-5/8	1-1/4	1-7/8	5
# XJATS1	5	5	3-1/8	4-3/4	6	6	6	4	7	2	2-3/16	9
# XJATS2	6	6	4-1/8	5-3/4	7-1/4	7-1/4	7	5	8-1/2	2	2-13/16	12
# XJATS3	6-1/2	6	4-1/2	5-3/4	7-3/4	7-1/4	7-3/8	6	8-3/4	2	3	13
# XJATS4	7	7	6-1/8	5-3/4	8-1/4	8-1/4	9	5-1/2	9-1/2	2	3-13/16	20
XJATS5	8	8	4-1/8	7-1/8	9-1/2	9-1/2	7-3/8	7	11-1/2	2	2-15/16	26
XJATS6	8	8	6-1/8	7-1/8	9-1/2	9-1/2	9-3/8	7	11-1/2	2	3-15/16	29
XJATS7	8	10	6-1/8	7-1/8	9-1/2	11-1/2	9-3/8	6-3/4	13-1/2	2	3-15/16	36
XJATS8	10	10	6-1/8	9-1/8	11-3/4	11-3/4	9-3/4	8-1/2	13-1/2	3	4-1/16	45
XJATS9	10	10	8-1/8	9-1/8	11-3/4	11-3/4	11-3/4	8-1/2	13-1/2	3	5-1/16	51
XJATS10	12	11	7-1/2	10-1/8	13-3/4	12-3/4	11-1/4	10-3/4	14-1/2	3	4-3/4	55
XJATS11	12	12	6-1/8	9-1/8	13-3/4	13-3/4	9-3/4	10-1/2	15-1/2	3	4-1/16	54
# XJATS12	6	5-1/2	4-1/8	5-3/4	7	6-1/2	6-7/8	5-3/4	7-1/2	2	2-13/16	12

Two diagonally positioned mounting feet are standard with enclosures XJATS0, 1, 2, 3, 4 & 12

* Approval Pending - C/F for details

Note: All dimensions are for reference only

Consult Factory for custom machining requirements



Mounting Pans (XJATS/G/D Series)

XJATS / G / D Number	Mounting Pan Dimension		Mounting Boss Dimension	
	S	T	W	X
XJATS1	3-3/4	3-3/4	1.563	1.563
XJATS2	4-3/4	4-3/4	2.063	2.063
XJATS3	4-3/4	4-3/4	2.063	2.063
XJATS4	5-1/2	5-1/2	2.438	2.438
XJATS5	6-1/2	6-1/2	2.938	2.938
XJATS6	6-1/2	6-1/2	2.938	2.938
XJATS7	6-1/2	8	2.938	3.688
XJATS8	8	8	3.688	3.688
XJATS9	8-1/2	8-1/2	3.938	3.938
XJATS10	8-1/2	8-1/2	3.938	3.938
XJATS11	8-1/2	8-1/2	3.938	3.938
XJATS12	4-3/4	4-3/4	2.063	2.063

Explosion-Proof Metering Junction Box "XJATG" Threaded Glass Cover Series

X P
J
U
N
C
T
I
O
N
B
O
X
E
S

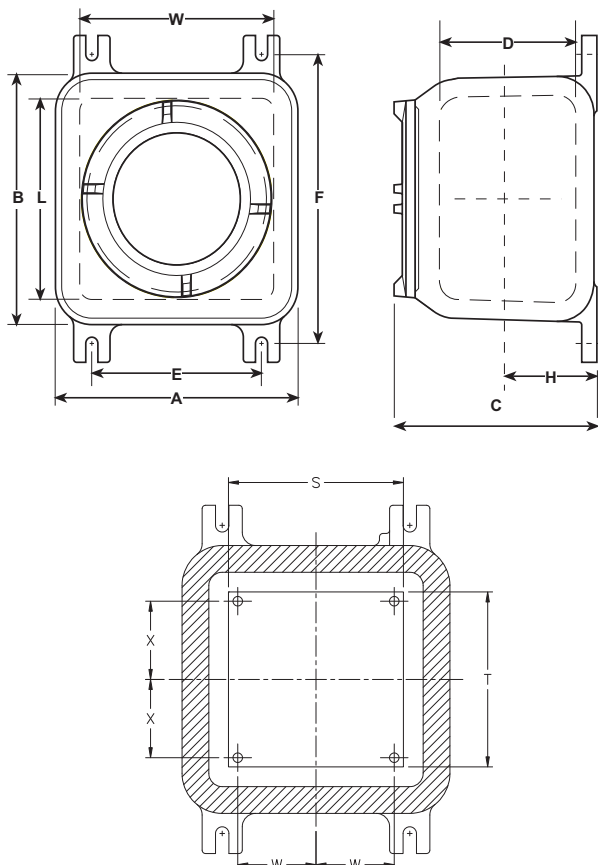
Catalog Number	Inside Dimensions (Inches)			Throat size	Viewing Glass Area	Outside Dimensions (Inches)			Mounting (Inches)		Conduit NPT		Weight (Lbs.) Est.
	W	L	D			A	B	C	E	F	Max Size	Standard LOC "H"	
# XJATG0*	3-3/4	3-3/4	2-11/16	4	2-3/4	4-3/4	4-3/4	5-1/2	3-3/4	5-5/8	1-1/4	1-7/8	5
# XJATG1	5	5	3-1/8	4-3/4	3	6	6	6	4	7	2	2-3/16	9
# XJATG2	6	6	4-1/8	5-3/4	4	7-1/4	7-1/4	7	5	8-1/2	2	2-13/16	12
# XJATG3	6-1/2	6	4-1/2	5-3/4	4	7-3/4	7-1/4	7-3/8	6	8-3/4	2	3	13
# XJATG4	7	7	6-1/8	5-3/4	4	8-1/4	8-1/4	9	5-1/2	9-1/2	2	3-13/16	20
XJATG5	8	8	4-1/8	7-1/8	5-1/4	9-1/2	9-1/2	7-3/8	7	11-1/2	2	2-15/16	26
XJATG6	8	8	6-1/8	7-1/8	5-1/4	9-1/2	9-1/2	9-3/8	7	11-1/2	2	3-15/16	29
XJATG7	8	10	6-1/8	7-1/8	5-1/4	9-1/2	11-1/2	9-3/8	6-3/4	13-1/2	2	3-15/16	36
XJATG8	10	10	6-1/8	9-1/8	6-3/4	11-3/4	11-3/4	9-3/4	8-1/2	13-1/2	3	4-1/16	45
XJATG9	10	10	8-1/8	9-1/8	6-3/4	11-3/4	11-3/4	11-3/4	8-1/2	13-1/2	3	5-1/16	51
XJATG10	12	11	7-1/2	10-1/8	7-5/8	13-3/4	12-3/4	11-1/4	10-3/4	14-1/2	3	4-3/4	55
XJATG11	12	12	6-1/8	9-1/8	6-3/4	13-3/4	13-3/4	9-3/4	10-1/2	15-1/2	3	4-1/16	54
# XJATG12	6	5-1/2	4-1/8	5-3/4	4	7	6-1/2	6-7/8	5-3/4	7-1/2	2	2-13/16	12

Two diagonally positioned mounting feet are standard with enclosures XJATG0, 1, 2, 3, 4 & 12

* Approval Pending - C/F for details

Note: All dimensions are for reference only

Consult Factory for custom machining requirements



Mounting Pans (XJATS/G/D Series)

XJATS / G / D Number	Mounting Pan Dimension		Mounting Boss Dimension	
	S	T	W	X
XJATG1	3-3/4	3-3/4	1.563	1.563
XJATG2	4-3/4	4-3/4	2.063	2.063
XJATG3	4-3/4	4-3/4	2.063	2.063
XJATG4	5-1/2	5-1/2	2.438	2.438
XJATG5	6-1/2	6-1/2	2.938	2.938
XJATG6	6-1/2	6-1/2	2.938	2.938
XJATG7	6-1/2	8	2.938	3.688
XJATG8	8	8	3.688	3.688
XJATG9	8-1/2	8-1/2	3.938	3.938
XJATG10	8-1/2	8-1/2	3.938	3.938
XJATG11	8-1/2	8-1/2	3.938	3.938
XJATG12	4-3/4	4-3/4	2.063	2.063



Explosion-Proof Junction Box “XJATD” Threaded Dome Cover Series

“Increase the interior working depth capacity with one of our dome type covers.”

Features:

- Threaded opening design provides easy access to components
- All enclosures are NEMA 4X with neoprene gasket for water tight applications
- All enclosures are suitable for field drilling and tapping
- Light weight corrosion resistant copper-free aluminum construction
- Attractive wheelabraste finish
- Increased working depth inside enclosures ranging from 4” to 20”
- Available with flat mounting pan or optional L-shaped bracket
- Optional viewing window on top of dome for high visibility of instruments in dome

Ordering Instructions:

- To order standard mounting pan, add N1 to part number (XJAT2D4-N1).
- Consult factory for custom or L-shaped brackets.



ISO
9001 With Design

Approvals:

UL CLASSIFIED - Standard 886 - E94590

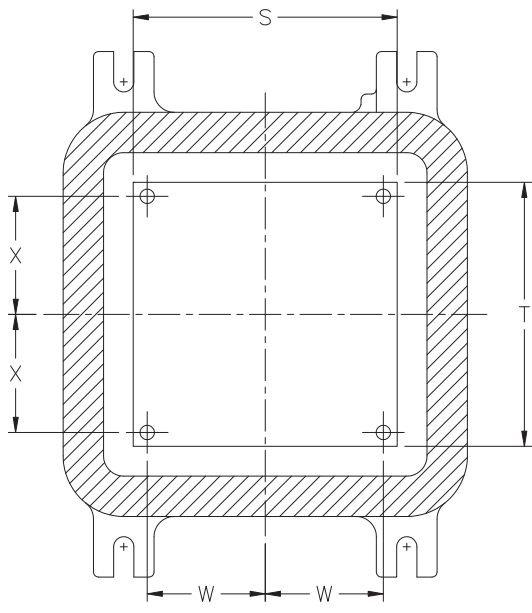
Compliances:

- N.E.C. - Class. I, Div. 1 & 2 Groups B, C & D
- Class. II, Div. 1 & 2 Groups E, F & G
- Class. III
- NEMA 3, 4X, 7 & 9



Explosion-Proof Junction Box “XJATD” Threaded Dome Cover Series

X P JUNCTION BOXES

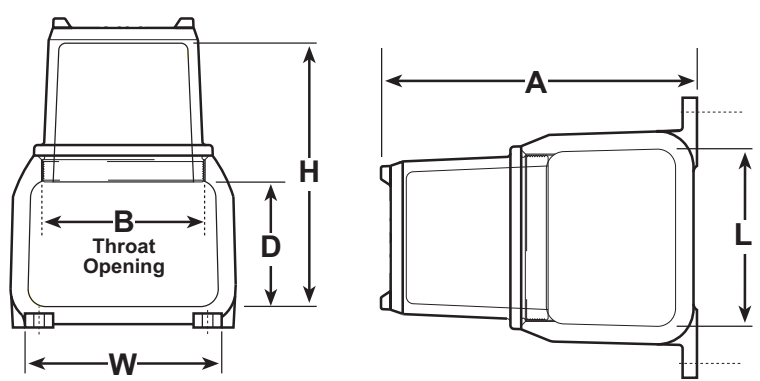


Dimensions

Catalog Number	Dimensions In Inches						Max. Conduit Size
	W	L	D	A	B	H	
XJAT2D4	6	6	4	10-5/8	5-3/4	9	2
XJAT2D8	6	6	4	14-5/8	5-3/4	13	2
XJAT2D12	6	6	4	18-5/8	5-3/4	17	2
XJAT3D4	6-1/2	6	4-1/2	11	5-3/4	9-3/8	2
XJAT3D8	6-1/2	6	4-1/2	15	5-3/4	13-3/8	2
XJAT3D12	6-1/2	6	4-1/2	19	5-3/4	17-3/8	2
XJAT4D4	7	7	6	12-5/8	5-3/4	11	2
XJAT4D8	7	7	6	16-5/8	5-3/4	15	2
XJAT4D12	7	7	6	20-5/8	5-3/4	19	2
XJAT5D4	8	8	4	10-15/16	7-1/8	9-1/8	2
XJAT5D12	8	8	4	18-15/16	7-1/8	17-1/8	2
XJAT5D20	8	8	4	27-15/16	7-1/8	25-1/8	2
XJAT6D4	8	8	6	12-15/16	7-1/8	11-1/8	2
XJAT6D12	8	8	6	20-15/16	7-1/8	19-1/8	2
XJAT6D20	8	8	6	28-15/16	7-1/8	27-1/8	2
XJAT7D4	8	10	6	12-15/16	7-1/8	11-1/8	2
XJAT7D12	8	10	6	20-15/16	7-1/8	19-1/8	2
XJAT7D20	8	10	6	28-15/16	7-1/8	27-1/8	2
XJAT8D6	10	10	6	15-1/4	9-1/8	13-1/4	3
XJAT8D12	10	10	6	21-5/16	9-1/8	19-1/4	3
XJAT8D20	10	10	6	29-3/8	9-1/8	27-1/4	3
XJAT9D6	10	10	8	17-1/4	9-1/8	15-1/4	3
XJAT9D12	10	10	8	23-5/16	9-1/8	21-1/4	3
XJAT9D20	10	10	8	31-3/8	9-1/8	29-1/4	3
XJAT11D6	12	12	6	15-1/4	9-1/8	13-1/4	3
XJAT11D12	12	12	6	21-5/16	9-1/8	19-1/4	3
XJAT11D20	12	12	6	29-3/8	9-1/8	27-1/4	3
XJAT12D4	6	5-1/2	4	10-5/8	5-3/4	9	2
XJAT12D8	6	5-1/2	4	14-5/8	5-3/4	13	2
XJAT12D12	6	5-1/2	4	18-5/8	5-3/4	17	2

Mounting Pans (XJATS/G/D Series)

XJATS / G / D Number	Mounting Pan Dimension		Mounting Boss Dimension	
	S	T	W	X
XJAT2	4-3/4	4-3/4	2.063	2.063
XJAT3	4-3/4	4-3/4	2.063	2.063
XJAT4	5-1/2	5-1/2	2.438	2.438
XJAT5	6-1/2	6-1/2	2.938	2.938
XJAT6	6-1/2	6-1/2	2.938	2.938
XJAT7	6-1/2	8	2.938	3.688
XJAT8	8	8	3.688	3.688
XJAT9	8-1/2	8-1/2	3.938	3.938
XJAT10	8-1/2	8-1/2	3.938	3.938
XJAT11	8-1/2	8-1/2	3.938	3.938
XJAT12	4-3/4	4-3/4	2.063	2.063



Explosion-Proof Control Stations

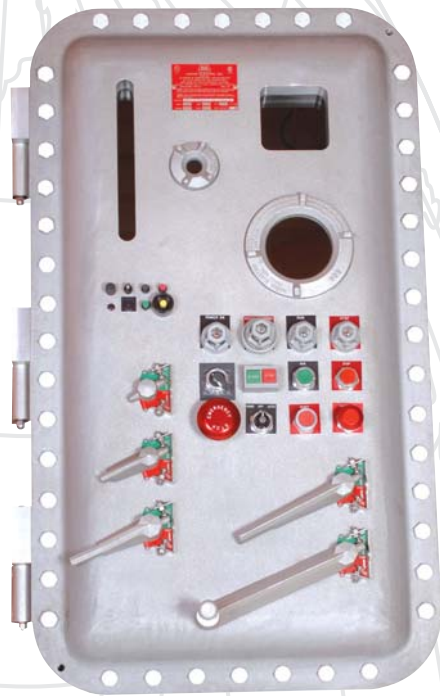


- **CXJ Series.....pgs. 48-66**
External flange control station
- **CXJ-FCS Series.....pgs. 51-54**
External flange control station with flat cover
- **CXI Series.....pgs. 67-71**
Internal flange control station
Pendant Stations
- **XJIH Series.....pgs. 72-77**
Instrument Housing control station
- **XJIHD Series.....pgs. 78-79**
Dual-Sided Instrument Housing control station
- **XJCTS Series.....pgs. 80-82**
Solid screw top control station
- **XJCTG Series.....pgs. 80-82**
Glass screw top control station
- **XJCTD Series.....pgs. 83-84**
Domed screw top control station

1025 Eagon Street Barberton, Ohio 44203 Ph: 330-745-8891 Fax: 330-745-2504
www.AkronElectric.Com E-Mail: Sales@AkronElectric.Com

X
P
C
O
N
T
R
O
L
S
T
A
T
I
O
N
S

Explosion-Proof Control Stations "CXJ" Series



Over 75 Sizes Available For Hazardous Locations

Applications:

Applications where hazardous gases, vapors, liquids, flammable fibers, flyings or combustible dusts can exist during the time of operation

Locations including Oil / Petroleum Refineries, Waste Water Treatment Plants, Petrochemical Plants, Mining Facilities, etc.

Control Stations are used for electrical components installed directly in the enclosure and they are capable of being drilled and tapped.

These components can be controlled or viewed in hazardous environments (indoor & outdoor)

ATEX / IECEx Certification: (Optional)

If ATEX / IECEx certification is required, please specify.

Add "-CEN" to Part Number to designate ATEX / IECEx. (Optional)

Features are added to the CXJ Series if ATEX/IECEx is required:

- Metric Cover Bolts
- External Ground Screw
- If NEMA 4 O-Ring is required, IP 66 Rating Applies

"This is the highest quality enclosure made in the industry. Our quality matched by our quick ship program gets the job done."

Features:

External Machined Flange Joint Design

Integral Cast Mounting Feet

Machined Surface Perimeter for ease of hinge installation

(N5) Stainless Steel or (E3) Triple Lead Stainless Steel
Captive Quick Thread Cover Bolts (Optional-Domestic Only)

Ground Lug Package (Optional)

Cast Mounting Pan Bosses

All enclosures suitable for drilling and tapping

Stainless Steel Shot Blast or Sandblasted natural finish

Standard round or custom sized windows available

Cast aluminum and stainless steel hinge (optional)

All enclosures suitable for NEMA 4X (optional), **specify when required**

Materials:

Enclosures: Copper-free Aluminum (less than 0.25% copper content)

Cover Bolts: Cad-Plated (Standard) or Stainless Steel N5 / E3 (Specify)

Hinges: Stainless Steel or Medium to Heavy Duty Cast Aluminum

Mounting Pan (Opt.): Aluminum*;

Gal. Steel or Phenolic Materials available upon request.

*Note: Aluminum Mounting Pan will be provided if mounting pan is requested, unless otherwise noted.



Approvals:

UL CLASSIFIED - Standard 1203, UL-E139669 (-20C to +40C)

cUL (Canada) - Standard C22.2 No. 30-M1986 & No. 25-1966

CSA Certified (Canada) - Standard C22.2 - No. LR86146 (-50C to +40C)

Compliances:

CL. I, Div. 1 & 2 Groups B, C & D

CL. II, Div. 1 & 2 Groups E, F & G

CL. III

NEMA 3, 4X (Optional), 7 & 9



DEMKO O5 ATEX 0419382U rev 1 (Empty Housing)

Ex db IIB+H2 Gb; IP66 (With O-Ring) -40C to +70C ambient

EN 60079-0:2012+A11:2013 EN 60079-1:2014

IECEx UL 15.0095U

IEC 60079-0: 2011 IEC 60079-1: 2014-06



Explosion-Proof Control Stations "CXJ" Series

CATALOG NUMBER	INSIDE DIMENSIONS (INCHES) Available Depth**				OUTSIDE DIMENSIONS (INCHES)			MOUNTING (INCHES)		MTG. PAN	MTG. PAN DIM.	HINGE CAT. # *	ATEX Optional ADDER	LUG BOLT SIZE (IN.)	MAX. CONDUIT (INCHES)	EST. WEIGHT (LBS.)	
	W	L	D	Dc	A	B	C	E	F								
4164	4	16	4	1	8	20	6-1/2	12-1/8	6-3/4	N1	3	15	H1/HC1	-CEN	3/8	2	33
664	6	6	4	1	9-3/4	9-3/4	6-1/4	5-1/8	9-1/8	N1	5	5	H1/HC1	-CEN	3/8	2	17
684	6	8	4	1	9-3/4	11-3/4	6-7/16	4-1/2	9-1/8	N1	5	7	H1/HC1	-CEN	3/8	2	23
685	6	8	5	1	9-3/4	11-3/4	7-7/16	4-1/2	9-1/8	N1	5	7	H1/HC1	-CEN	3/8	2	25
686	6	8	6	1	9-3/4	11-3/4	8-7/16	4-1/2	9-1/8	N1	5	7	H1/HC1	-CEN	3/8	2	26
6104	6	10	4	1	10	14	6-3/8	6-1/2	9-1/8	N1	5	9	H1/HC1	-CEN	3/8	2	26
6115	6	11	5	1	10	15	7-7/16	8	9-1/8	N1	5	10	H1/HC1	-CEN	3/8	2	29
6124	6	12	4	1	10	16	6-7/16	8-1/2	9-1/8	N1	5	11	H1/HC1	-CEN	3/8	2	30
6126	6	12	6	1	10	16	8-7/16	8-1/2	9-1/8	N1	5	11	H1/HC1	-CEN	3/8	2	36
6135	6	13	5	1	10	17	7-7/16	9-1/2	9-1/8	N1	5	12	H1/HC1	-CEN	3/8	2	34
6164	6	16	4	1	10-1/2	20-1/2	6-9/16	12-1/8	9-1/8	N1	5	15	H1/HC1	-CEN	3/8	2	42
6186	6	18	6	1-1/2	10-1/2	22-1/2	9-1/16	13-1/8	9-1/8	N1	5	17	H1/HC1	-CEN	3/8	3	46
#6485	6	48	5	1	10	52	7-3/4	40	8	N1	5	46	3H1/3HC1	N/A	3/8	2	109
7104	7	10	4	1	11-1/2	14-1/2	6-9/16	6-1/2	9-3/4	N1	6	9	H1/HC1	-CEN	3/8	2	20
7185	7	18	5	1	11-1/2	22-1/2	7-9/16	14-1/2	9-3/4	N1	6	17	H1/HC1	-CEN	3/8	2	60
884	8	8	4	1	12-1/2	12-1/2	6-9/16	4-1/2	10-3/4	N1	6-1/2	6-1/2	H1/HC1	-CEN	3/8	2	33
886	8	8	6	1	12-1/2	12-1/2	8-9/16	4-1/2	10-3/4	N1	6-1/2	6-1/2	H1/HC1	-CEN	3/8	3	36
888	8	8	8	1	12-1/2	12-1/2	10-9/16	4-1/2	10-3/4	N1	6-1/2	6-1/2	H1/HC1	-CEN	3/8	4	39
8104	8	10	4	1	12-1/2	14-1/2	6-9/16	6-1/2	10-3/4	N1	6-1/4	8-1/4	H1/HC1	-CEN	3/8	2	36
8106	8	10	6	1	12-1/2	14-1/2	8-9/16	6-1/2	10-3/4	N1	6-1/4	8-1/4	H1/HC1	-CEN	3/8	3	41
8108	8	10	8	1	12-1/2	14-1/2	10-9/16	6-1/2	10-3/4	N1	6-1/4	8-1/4	H1/HC1	-CEN	3/8	4	46
8124	8	12	4	1	12-1/2	16-1/2	6-9/16	8-5/8	10-3/4	N1	6-1/2	10-1/2	H1/HC1	-CEN	3/8	2	41
8126	8	12	6	1	12-1/2	16-1/2	8-9/16	8-5/8	10-3/4	N1	6-1/2	10-1/2	H1/HC1	-CEN	3/8	3	46
8128	8	12	8	1	12-1/2	16-1/2	10-9/16	8-5/8	10-3/4	N1	6-1/2	10-1/2	H1/HC1	-CEN	3/8	4	50
9115	9	11	5	1	13-1/2	15-1/2	7-9/16	6	13-1/8	N1	7-1/2	9-1/2	H1/HC1	-CEN	3/8	2	46
10104	10	10	4	1	14-1/2	14-1/2	6-3/4	6-1/2	13	N1	8-1/2	8-1/2	H1/HC1	-CEN	3/8	2	40
10106	10	10	6	1	14-1/2	14-1/2	8-3/4	6-1/2	13	N1	8-1/2	8-1/2	H1/HC1	-CEN	3/8	3	50
10108	10	10	8	1	14-1/2	14-1/2	10-3/4	6-1/2	13	N1	8-1/2	8-1/2	H1/HC1	-CEN	3/8	4	57
10144	10	14	4	1-1/2	14-1/2	18-1/2	7-3/16	10-5/8	13	N1	8	12	H1/HC1	-CEN	3/8	2	60
10146	10	14	6	1-1/2	14-1/2	18-1/2	9-3/16	10-5/8	13	N1	8	12	H1/HC1	-CEN	3/8	3	68
10148	10	14	8	1-1/2	14-1/2	18-1/2	11-3/16	10-5/8	13	N1	8	12	H1/HC1	-CEN	3/8	4	75
12124	12	12	4	1-1/2	17	17	7-1/2	8-5/8	15-3/4	N1	10	10	H1/HC1	-CEN	1/2	2	70
12126	12	12	6	1-1/2	17	17	9-1/2	8-5/8	15-3/4	N1	10	10	H1/HC1	-CEN	1/2	3	77
12126LW	12	12	6	1-5/16	16	16	8-7/8	8-5/8	15-3/4	N1	10	10	H1/HC1	-CEN	1/2	4	58
12128	12	12	8	1-1/2	17	17	11-1/2	8-5/8	15-3/4	N1	10	10	H1/HC1	-CEN	1/2	4	87
12184	12	18	4	1-1/2	17	23	7-1/2	14-1/8	15-3/4	N1	10	16	H2	-CEN	1/2	2	102
12186	12	18	6	1-1/2	17	23	9-1/2	14-1/8	15-3/4	N1	10	16	H2	-CEN	1/2	3	116
12188	12	18	8	1-1/2	17	23	11-1/2	14-1/8	15-3/4	N1	10	16	H2	-CEN	1/2	4	120
12205	12	20	5	1-1/2	17	25	8-1/2	14-3/8	15-3/4	N1	10	18	H2	-CEN	1/2	2	111
12244	12	24	4	1-1/2	17-1/8	29-1/8	7-5/8	18-3/4	15-3/4	N1	10	22	H2	-CEN	1/2	2	126
12246	12	24	6	1-1/2	17-1/8	29-1/8	9-5/8	18-3/4	15-3/4	N1	10	22	H2	-CEN	1/2	3	142
12248	12	24	8	1-1/2	17-1/8	29-1/8	11-5/8	18-3/4	15-3/4	N1	10	22	H2	-CEN	1/2	4	154
122410	12	24	10	1-1/2	17-1/8	29-1/8	13-5/8	18-3/4	15-3/4	N1	10	22	H2	-CEN	1/2	4	165
12306	12	30	6	1-1/2	17	35	9-5/8	23	15-3/4	N1	10	28	H2	-CEN	1/2	3	177

* Note: (H1) = Stainless Steel Modular Hinge; (HC1, H2) = Cast Aluminum Hinge (H1/HC1 - Choose one of these when required)

** Available Depth = D + Dc

1025 Eagon Street Barberton, Ohio 44203 Ph: 330-745-8891 Fax: 330-745-2504
www.AkronElectric.Com E-Mail: Sales@AkronElectric.Com

Explosion-Proof Control Stations "CXJ" Series

CATALOG NUMBER	INSIDE DIMENSIONS (INCHES)				OUTSIDE DIMENSIONS (INCHES)			MOUNTING (INCHES)		MTG. PAN	MTG. PAN DIM.		HINGE CAT. # *	ATEX Optional ADDER	LUG BOLT SIZE (IN.)	MAX. CONDUIT (INCHES)	EST. WEIGHT (LBS.)
	CXJ	W	L	D	Dc	A	B	C	E		F	---					
12364	12	36	4	1-1/2	17	41	7-5/8	29	15-3/4	N1	10	34	3H2	-CEN	1/2	2	197
12366	12	36	6	1-1/2	17	41	9-5/8	29	15-3/4	N1	10	34	3H2	-CEN	1/2	3	210
12368	12	36	8	1-1/2	17	41	11-5/8	29	15-3/4	N1	10	34	3H2	-CEN	1/2	4	222
*12468	12	46	8	1-1/2	17-1/8	51-1/8	11-5/8	15-3/4	39	N1	10	44	3H2	-CEN	1/2	4	260
14146	14	14	6	1-1/2	19-1/8	19-1/8	9-1/2	9-3/4	17-3/4	N1	12	12	H2	-CEN	1/2	3	94
14148	14	14	8	1-1/2	19-1/8	19-1/8	11-1/2	9-3/4	17-3/4	N1	12	12	H2	-CEN	1/2	4	104
14286	14	28	6	1-1/2	19-1/8	33-1/8	9-1/2	22-1/2	17-3/4	N1	12	26	H2	-CEN	1/2	3	153
16164	16	16	4	1-1/2	21-1/8	21-1/8	7-5/8	11	19-3/4	N1	14	14	H2	-CEN	5/8	2	103
16166	16	16	6	1-1/2	21-1/8	21-1/8	9-5/8	11	19-3/4	N1	14	14	H2	-CEN	5/8	3	120
16168	16	16	8	1-1/2	21-1/8	21-1/8	11-5/8	11	19-3/4	N1	14	14	H2	-CEN	5/8	4	143
*161812	16	18	12	1/4	21-61/64	23-1/8	14-3/4	13-11/64	19-3/4	N1	15	16	H2	N/A	5/8	4	
16246	16	24	6	1-1/2	21-1/8	29-1/8	9-7/8	18-3/8	19-3/4	N1	14	22	H2	-CEN	5/8	3	174
16248	16	24	8	1-1/2	21-1/8	29-1/8	11-7/8	18-3/8	19-3/4	N1	14	22	H2	-CEN	5/8	4	194
162410	16	24	10	1-1/2	21-1/8	29-1/8	13-7/8	18-3/8	19-3/4	N1	14	22	H2	-CEN	5/8	4	212
*164610	16	46	10	1-1/2	21-1/8	51-1/8	13-3/4	39	19-3/4	N1	14	44	3H2	-CEN	5/8	4	370
18184	18	18	4	1-1/2	23-1/8	23-1/8	8	13	21-3/4	N1	16	16	H2	-CEN	5/8	1-1/4	131
18186	18	18	6	1-1/2	23-1/8	23-1/8	10	13	21-3/4	N1	16	16	H2	-CEN	5/8	3	149
18188	18	18	8	1-1/2	23-1/8	23-1/8	12-3/8	13	21-3/4	N1	16	16	H2	-CEN	5/8	4	176
18246	18	24	6	1-1/2	23-1/8	29-1/8	9-7/8	18-3/8	21-3/4	N1	16	22	H2	-CEN	5/8	3	193
18248	18	24	8	1-1/2	23-1/8	29-1/8	11-7/8	18-3/8	21-3/4	N1	16	22	H2	-CEN	5/8	4	210
182410	18	24	10	1-1/2	23-1/8	29-1/8	13-7/8	18-3/8	21-3/4	N1	16	22	H2	-CEN	5/8	4	234
*182412	18	24	12	1/4	23-5/8	29-3/8	14-13/16	19-11/64	21-3/4	N1	16	22	H2	N/A	5/8	4	
18308	18	30	8	1-1/2	23-1/8	35-1/8	11-7/8	23	21-3/4	N1	16	28	H2	-CEN	5/8	4	268
18368	18	36	8	1-1/2	23-1/2	41-1/2	12-7/16	30	21-3/4	N1	14	32	3H3	-CEN	5/8	4	410
183610	18	36	10	1-1/2	23-1/2	41-1/2	14-1/4	29	21-3/4	N1	14	32	3H3	-CEN	5/8	4	436
24248	24	24	8	1-1/2	29-1/2	29-1/2	12-1/8	18-3/8	28	N1	20	20	H3	-CEN	5/8	4	306
242410	24	24	10	1-1/2	29-1/2	29-1/2	14-1/8	18-3/8	28	N1	20	20	H3	-CEN	5/8	4	320
24308	24	30	8	1-1/2	29-1/8	35-1/8	11-7/8	23	28	N1	22	28	H3	-CEN	5/8	4	306
24368	24	36	8	1-1/2	30	42	12-9/16	29	28	N1	20	32	3H3	-CEN	5/8	4	471
243610	24	36	10	1-1/2	30	42	14-9/16	29	28	N1	20	32	3H3	-CEN	5/8	4	501
##243612	24	36	12	1-1/2	30	42	17-1/16	29	27-5/8	N1	20	32	3H3	-CEN	5/8	4	
#323612	32	36	6	6	38-1/4	42-1/4	15-7/8	29	36	N1	30	34	3H3	N/A	5/8	4	600
#346810	34	68	5	5	40	74	17-1/8	54	42-1/2	N1	34	64	4H3	N/A	5/8	2	1160
*38388	38	38	8	2	44	44	16-1/8	24	46	N1	36	36	3H3	N/A	5/8	4	840
#383816	38	38	16	0	44	44	23	24	46	N1	36	36	3H3	N/A	5/8	4	900

Note: (H2, H3) = Cast Aluminum Hinge

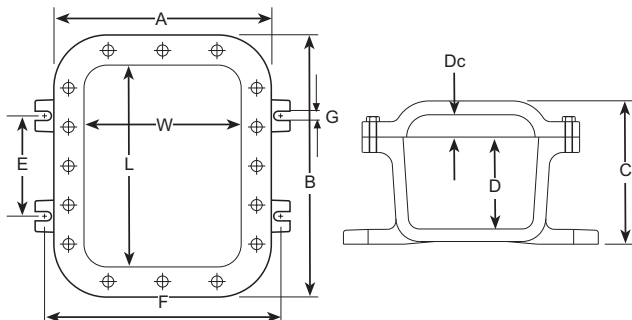
NEMA 4X, 7, 9 enclosures are designed to third party specifications. These boxes carry no formal listings.

ATEX / IECEx "U" Component Certification Only

* UL / cUL Only enclosures only - (no CSA certification)

** Available Depth = D + Dc

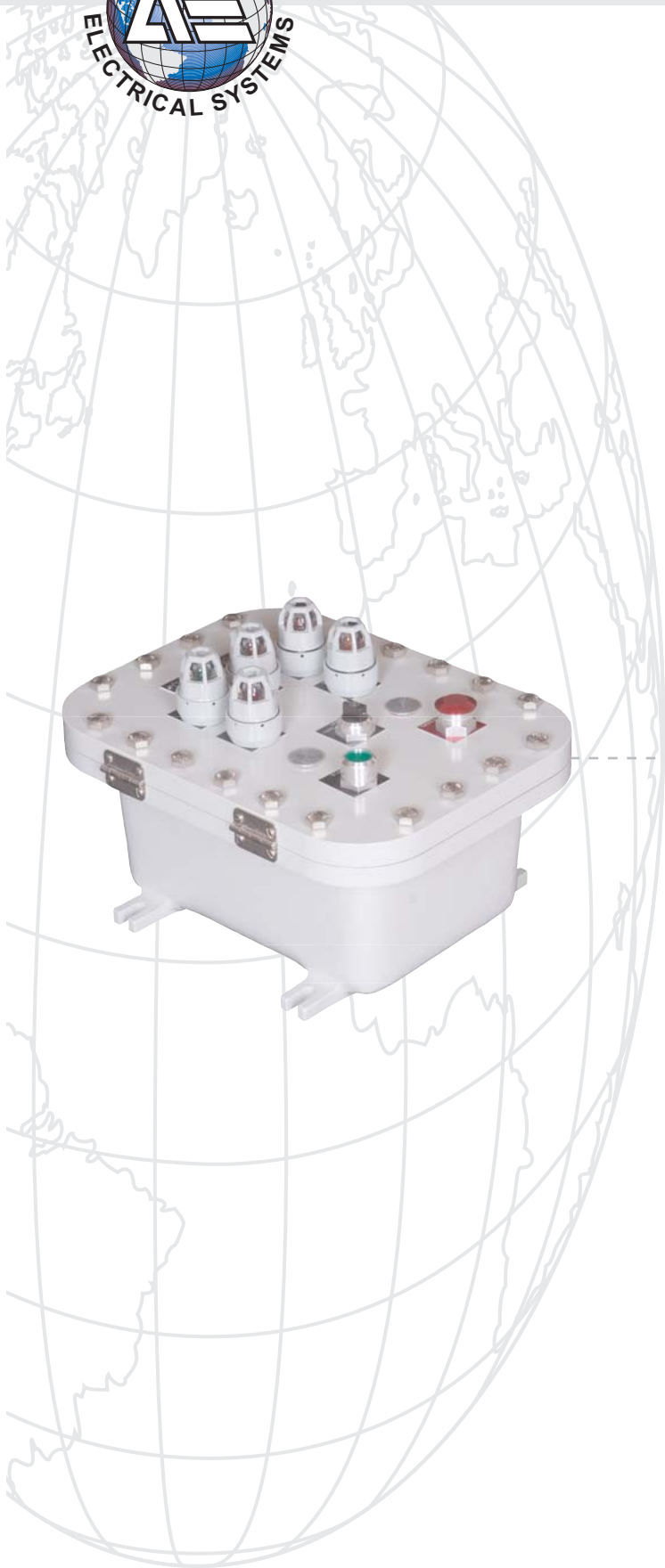
All Dimensions are for Reference Only - C/F for questions regarding design dimensional data



- Consult Factory if larger Mounting Pan is needed
- Mounting feet will be aligned right & left (as shown) unless otherwise specified.
- 9 x 11 x 5 Mounting Feet are top & bottom std.
- For an enclosure size not listed above or a special application, contact Akron Electric.
- All conduit runs must be sealed within 6 inches of the enclosure.
- Note: Enclosures have internal taper (draft) of 1/16" per inch of depth *(dimensions "W" and "L" are across top of base).
- Hinges and mounting pans are not included as standard.
- See pages 55-66 for ordering information, modifications and conduit working area.



Explosion-Proof Flat Cover Control Stations



• **CXJ-FCS Flat Cover Series**

External flange control station with flat cover

1025 Eagon Street Barberton, Ohio 44203 Ph: 330-745-8891 Fax: 330-745-2504
www.AkronElectric.Com E-Mail: Sales@AkronElectric.Com



Explosion-Proof Flat Cover Control Stations “CXJ-FCS” Series



Over 75 Sizes Available For Hazardous Locations

Applications:

Applications where hazardous gases, vapors, liquids, flammable fibers, flyings or combustible dusts can exist during the time of operation

Locations including Oil / Petroleum Refineries, Waste Water Treatment Plants, Petrochemical Plants, Mining Facilities, etc.

Control Stations are used for electrical components installed directly in the enclosure and they are capable of being drilled and tapped.

These components can be controlled or viewed in hazardous environments (indoor & outdoor)

“Try our new Flat Cover Control Station when extra space is needed for operators.”

Features:

Aluminum Flat Panel Cover

External Machined Flange Joint Design

Integral Cast Mounting Feet

Machined Surface Perimeter for ease of hinge installation

(N5) Stainless Steel or (E3) Triple Lead Stainless Steel Captive Quick Thread Cover Bolts (Optional-Domestic Only)

Ground Lug Package (Optional)

Cast Mounting Pan Bosses

All enclosures suitable for drilling and tapping

Stainless Steel Shot Blast or Sandblasted natural finish

Standard round or custom sized windows available

Cast aluminum and stainless steel hinge (optional)

All enclosures suitable for NEMA 4X (optional), **specify when required**



Materials:

Enclosures: Copper-free Aluminum (less than 0.25% copper content)

Cover Bolts: Cad-Plated (Standard) or Stainless Steel N5 / E3 (Specify)

Hinges: Stainless Steel or Medium to Heavy Duty Cast Aluminum

Mounting Pan (Opt.): Aluminum*;

Galvanized Steel or Phenolic Materials available upon request.

*Note: Aluminum Mounting Pan will be provided if mounting pan is requested, unless otherwise noted.



**ISO
9001 With Design**

Approvals:

UL CLASSIFIED - Standard 1203, UL-139669

cUL (Canada) - Standard C22.2 No. 30-M1986 & No. 25-1966

Compliances:

CL. I, Div. 1 & 2 Groups B, C & D

CL. II, Div. 1 & 2 Groups E, F & G

CL. III

NEMA 3, 4X (Optional), 7 & 9



Explosion-Proof Flat Cover Control Stations "CXJ-FCS" Series

CATALOG NUMBER	INSIDE DIMENSIONS (INCHES)			OUTSIDE DIMENSIONS (INCHES)			MOUNTING (INCHES)		MTG. PAN	MTG. PAN DIM.		HINGE CAT. # *	LUG BOLT SIZE (IN.)	MAX. CONDUIT (INCHES)	EST. WEIGHT (LBS.)
	CXJ	W	L	D	A	B	C	E		F	---				
4164-FCS	4	16	4-1/8	8	20	5-1/2	12-1/8	6-3/4	N1	3	15	H1/HC1	3/8	2	33
664-FCS	6	6	4	9-3/4	9-3/4	5-1/4	5-1/8	9-1/8	N1	5	5	H1/HC1	3/8	2	17
684-FCS	6	8	4	9-3/4	11-3/4	5-7/16	4-1/2	9-1/8	N1	5	7	H1/HC1	3/8	2	23
685-FCS	6	8	5	9-3/4	11-3/4	6-7/16	4-1/2	9-1/8	N1	5	7	H1/HC1	3/8	2	25
686-FCS	6	8	6	9-3/4	11-3/4	7-7/16	4-1/2	9-1/8	N1	5	7	H1/HC1	3/8	2	26
6104-FCS	6	10	4	10	14	5-7/16	6-1/2	9-1/8	N1	5	9	H1/HC1	3/8	2	26
6115-FCS	6	11	5	10	15	6-27/64	8	9-1/8	N1	5	10	H1/HC1	3/8	2	29
6124-FCS	6	12	4	10	16	5-7/16	8-1/2	9-1/8	N1	5	11	H1/HC1	3/8	2	30
6126-FCS	6	12	6	10	16	7-7/16	8-1/2	9-1/8	N1	5	11	H1/HC1	3/8	2	36
6135-FCS	6	13	5	10	17	6-7/16	9-1/2	9-1/8	N1	5	12	H1/HC1	3/8	2	34
6164-FCS	6	16	4	10-1/2	20-1/2	5-17/32	12-1/8	9-1/8	N1	5	15	H1/HC1	3/8	2	42
6186-FCS	6	18	6	10-1/2	22-1/2	7-17/32	13-1/8	9-1/8	N1	5	17	H1/HC1	3/8	3	46
#6485-FCS	6	48	5	10	52	6-1/4	40	8	N1	5	46	3H1/3HC1	3/8	2	109
7104-FCS	7	10	4	11-1/2	14-1/2	5-17/32	6-1/2	9-3/4	N1	6	9	H1/HC1	3/8	2	20
7185-FCS	7	18	5	11-1/2	22-1/2	6-17/32	14-1/2	9-3/4	N1	6	17	H1/HC1	3/8	2	60
884-FCS	8	8	4	12-1/2	12-1/2	5-17/32	4-1/2	10-3/4	N1	6-1/2	6-1/2	H1/HC1	3/8	2	33
886-FCS	8	8	6	12-1/2	12-1/2	7-17/32	4-1/2	10-3/4	N1	6-1/2	6-1/2	H1/HC1	3/8	3	36
888-FCS	8	8	8	12-1/2	12-1/2	9-17/32	4-1/2	10-3/4	N1	6-1/2	6-1/2	H1/HC1	3/8	4	39
8104-FCS	8	10	4	12-1/2	14-1/2	5-17/32	6-1/2	10-3/4	N1	6-1/4	8-1/4	H1/HC1	3/8	2	36
8106-FCS	8	10	6	12-1/2	14-1/2	7-17/32	6-1/2	10-3/4	N1	6-1/4	8-1/4	H1/HC1	3/8	3	41
8108-FCS	8	10	8	12-1/2	14-1/2	9-17/32	6-1/2	10-3/4	N1	6-1/4	8-1/4	H1/HC1	3/8	4	46
8124-FCS	8	12	4	12-1/2	16-1/2	5-17/32	8-5/8	10-3/4	N1	6-1/2	10-1/2	H1/HC1	3/8	2	41
8126-FCS	8	12	6	12-1/2	16-1/2	7-17/32	8-5/8	10-3/4	N1	6-1/2	10-1/2	H1/HC1	3/8	3	46
8128-FCS	8	12	8	12-1/2	16-1/2	9-17/32	8-5/8	10-3/4	N1	6-1/2	10-1/2	H1/HC1	3/8	4	50
9115-FCS	9	11	5	13-1/2	15-1/2	6-17/32	6	13-1/8	N1	7-1/2	9-1/2	H1/HC1	3/8	2	46
10104-FCS	10	10	4	14-1/2	14-1/2	5-3/4	6-1/2	13	N1	8-1/2	8-1/2	H1/HC1	3/8	2	40
10106-FCS	10	10	6	14-1/2	14-1/2	7-3/4	6-1/2	13	N1	8-1/2	8-1/2	H1/HC1	3/8	3	50
10108-FCS	10	10	8	14-1/2	14-1/2	9-3/4	6-1/2	13	N1	8-1/2	8-1/2	H1/HC1	3/8	4	57
10144-FCS	10	14	4	14-1/2	18-1/2	5-7/8	10-5/8	13	N1	8	12	H1/HC1	3/8	2	60
10146-FCS	10	14	6	14-1/2	18-1/2	7-7/8	10-5/8	13	N1	8	12	H1/HC1	3/8	3	68
10148-FCS	10	14	8	14-1/2	18-1/2	9-7/8	10-5/8	13	N1	8	12	H1/HC1	3/8	4	75
12124-FCS	12	12	4	17	17	5-55/64	8-5/8	15-3/4	N1	10	10	H1/HC1	1/2	2	70
12126-FCS	12	12	6	17	17	7-55/64	8-5/8	15-3/4	N1	10	10	H1/HC1	1/2	3	77
12126LW-FCS	12	12	6	16	16	10-3/64	8-5/8	15-3/4	N1	10	10	H1/HC1	1/2	4	58
12128-FCS	12	12	8	17	17	7-5/8	8-5/8	15-3/4	N1	10	10	H1/HC1	1/2	4	87
12184-FCS	12	18	4	17	23	6	14-1/8	15-3/4	N1	10	16	H2	1/2	2	102
12186-FCS	12	18	6	17	23	8	14-1/8	15-3/4	N1	10	16	H2	1/2	3	116
12188-FCS	12	18	8	17	23	10	14-1/8	15-3/4	N1	10	16	H2	1/2	4	120
12205-FCS	12	20	5	17	25	7	14-3/8	15-3/4	N1	10	18	H2	1/2	2	111
12244-FCS	12	24	4	17-1/8	29-1/8	6-3/16	18-3/4	15-3/4	N1	10	22	H2	1/2	2	126
12246-FCS	12	24	6	17-1/8	29-1/8	8-3/16	18-3/4	15-3/4	N1	10	22	H2	1/2	3	142
12248-FCS	12	24	8	17-1/8	29-1/8	10-3/16	18-3/4	15-3/4	N1	10	22	H2	1/2	4	154
122410-FCS	12	24	10	17-1/8	29-1/8	12-3/16	18-3/4	15-3/4	N1	10	22	H2	1/2	4	165
12306-FCS	12	30	6	17	35	8-1/8	23	15-3/4	N1	10	28	H2	1/2	3	177

* Note: (H1) = Stainless Steel Modular Hinge, (HC1, H2) = Cast Aluminum Hinge; (H1/HC1 - Choose one of these when required)

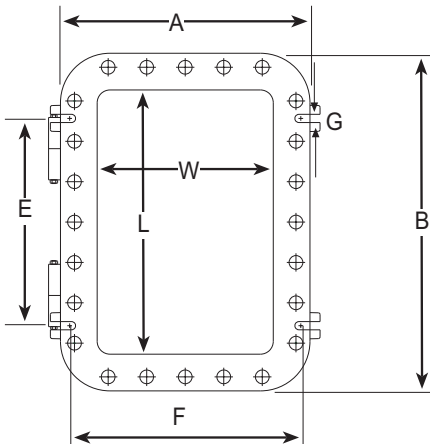
1025 Eagon Street Barberton, Ohio 44203 Ph: 330-745-8891 Fax: 330-745-2504
www.AkronElectric.Com E-Mail: Sales@AkronElectric.Com

Explosion-Proof Flat Cover Control Stations

“CXJ-FCS” Series

CATALOG NUMBER	INSIDE DIMENSIONS (INCHES)			OUTSIDE DIMENSIONS (INCHES)			MOUNTING (INCHES)		MTG. PAN	MTG. PAN DIM.		HINGE CAT. # *	LUG BOLT SIZE (IN.)	MAX. CONDUIT (INCHES)	EST. WEIGHT (LBS.)
	CXJ	W	L	D	A	B	C	E		F	---				
12364-FCS	12	36	4	17	41	6-1/8	29	15-3/4	N1	10	34	3H2	1/2	2	197
12366-FCS	12	36	6	17	41	8-1/8	29	15-3/4	N1	10	34	3H2	1/2	3	210
12368-FCS	12	36	8	17	41	10-1/8	29	15-3/4	N1	10	34	3H2	1/2	4	222
12468-FCS	12	46	8	17-1/8	51-1/8	10-1/8	15-3/4	39	N1	10	44	3H2	1/2	4	260
14146-FCS	14	14	6	19-1/8	19-1/8	8	9-3/4	17-3/4	N1	12	12	H2	1/2	3	94
14148-FCS	14	14	8	19-1/8	19-1/8	10	9-3/4	17-3/4	N1	12	12	H2	1/2	4	104
14286-FCS	14	28	6	19-1/8	33-1/8	8	22-1/2	17-3/4	N1	12	26	H2	1/2	3	153
16164-FCS	16	16	4	21-1/8	21-1/8	6-1/8	11	19-3/4	N1	14	14	H2	5/8	2	103
16166-FCS	16	16	6	21-1/8	21-1/8	8-1/8	11	19-3/4	N1	14	14	H2	5/8	3	120
16168-FCS	16	16	8	21-1/8	21-1/8	10-1/8	11	19-3/4	N1	14	14	H2	5/8	4	143
16246-FCS	16	24	6	21-1/8	29-1/8	8-3/16	18-3/8	19-3/4	N1	14	22	H2	5/8	3	174
16248-FCS	16	24	8	21-1/8	29-1/8	10-3/16	18-3/8	19-3/4	N1	14	22	H2	5/8	4	194
162410-FCS	16	24	10	21-1/8	29-1/8	12-3/16	18-3/8	19-3/4	N1	14	22	H2	5/8	4	212
164610-FCS	16	46	10	21-1/8	51-1/8	12-1/2	39	19-3/4	N1	14	44	3H2	5/8	4	370
18184-FCS	18	18	4	23-1/8	23-1/8	6-1/4	13	21-3/4	N1	16	16	H2	5/8	1-1/4	131
18186-FCS	18	18	6	23-1/8	23-1/8	8-1/4	13	21-3/4	N1	16	16	H2	5/8	3	149
18188-FCS	18	18	8	23-1/8	23-1/8	10-1/4	13	21-3/4	N1	16	16	H2	5/8	4	176
18246-FCS	18	24	6	23-1/8	29-1/8	8-3/8	18-3/8	21-3/4	N1	16	22	H2	5/8	3	193
18248-FCS	18	24	8	23-1/8	29-1/8	10-3/8	18-3/8	21-3/4	N1	16	22	H2	5/8	4	210
182410-FCS	18	24	10	23-1/8	29-1/8	12-3/8	18-3/8	21-3/4	N1	16	22	H2	5/8	4	234
18308-FCS	18	30	8	23-1/8	35-1/8	10-5/8	23	21-3/4	N1	16	28	H2	5/8	4	268
18368-FCS	18	36	8	23-1/2	41-1/2	11	30	21-3/4	N1	14	32	3H3	5/8	4	410
183610-FCS	18	36	10	23-1/2	41-1/2	12-15/16	29	21-3/4	N1	14	32	3H3	5/8	4	436
24248-FCS	24	24	8	29-1/2	29-1/2	10-13/16	18-3/8	28	N1	20	20	H3	5/8	4	306
242410-FCS	24	24	10	29-1/2	29-1/2	12-1/2	18-3/8	28	N1	20	20	H3	5/8	4	320
24308-FCS	24	30	8	29-1/8	35-1/8	10-3/8	23	28	N1	22	28	H3	5/8	4	306
24368-FCS	24	36	8	30	42	11-1/8	29	28	N1	20	32	3H3	5/8	4	471
243610-FCS	24	36	10	30	42	13-1/8	29	28	N1	20	32	3H3	5/8	4	501

NEMA 4X, 7, 9 enclosures are designed to third party specifications. These boxes carry no formal listings.
 Note: (H2, H3) = Cast Aluminum Hinge
 All Dimensions are for Reference Only - C/F for questions regarding design dimensional data



- Consult Factory if larger Mounting Pan is needed
- Mounting feet will be aligned right & left (as shown) unless otherwise specified.
- 9 x 11 x 5 Mounting Feet are top & bottom std.
- For an enclosure size not listed above or a special application, contact Akron Electric.
- All conduit runs must be sealed within 6 inches of the enclosure.
- Note: Enclosures have internal taper (draft) of 1/16" per inch of depth *(dimensions "W" and "L" are across top of base).
- Hinges and mounting pans are not included as standard.
- See pages 55-66 for ordering information, modifications and conduit working area.



Akron Electric, Inc.

Manufacturers of Explosion-Proof Enclosures & Electrical Systems

Akron Drilling & Tapping Instructions Customer Design Sheet

Please fill in the appropriate fields to customize your own enclosure
FAX this form to: 330-745-2504 OR
Scan & E-mail this form to: sales@akronelectric.com

Cover Layout

Catalog Product Series: _____ (AXJ, CXJ, etc.)

Quantity of enclosures: ()

Note: For custom machining in cover,
use Center Lines as a center point for
all dimensions
(CXJ Series:
NPSM entries are 2-1/2" center to center)
(1" center to center for Mini Pilot Device Series)

Hinges:

- Stainless Steel Hinges; H1
- Cast Aluminum Hinges; HC1, H2, H3

Hinge Location:

- Left
- Right

Certification:

- UL
- UL/CSA
- CSA
- ATEX / IECEX (-CEN)
- No formal certification, NEMA 7 Only

O-Ring:

- YES
- NO

Bolts:

- Stainless Steel (-N5), req'd. with N4
- S.S. Captive Quick Thread (-E3)
(Triple Lead)
- Standard

Mounting Feet:

- Right/Left
- Top/Bottom

Mounting Pan:

- Standard (Aluminum) (-N1)
- Galvanized (-N2)
- Phenolic (-N3)

Breather / Drain:

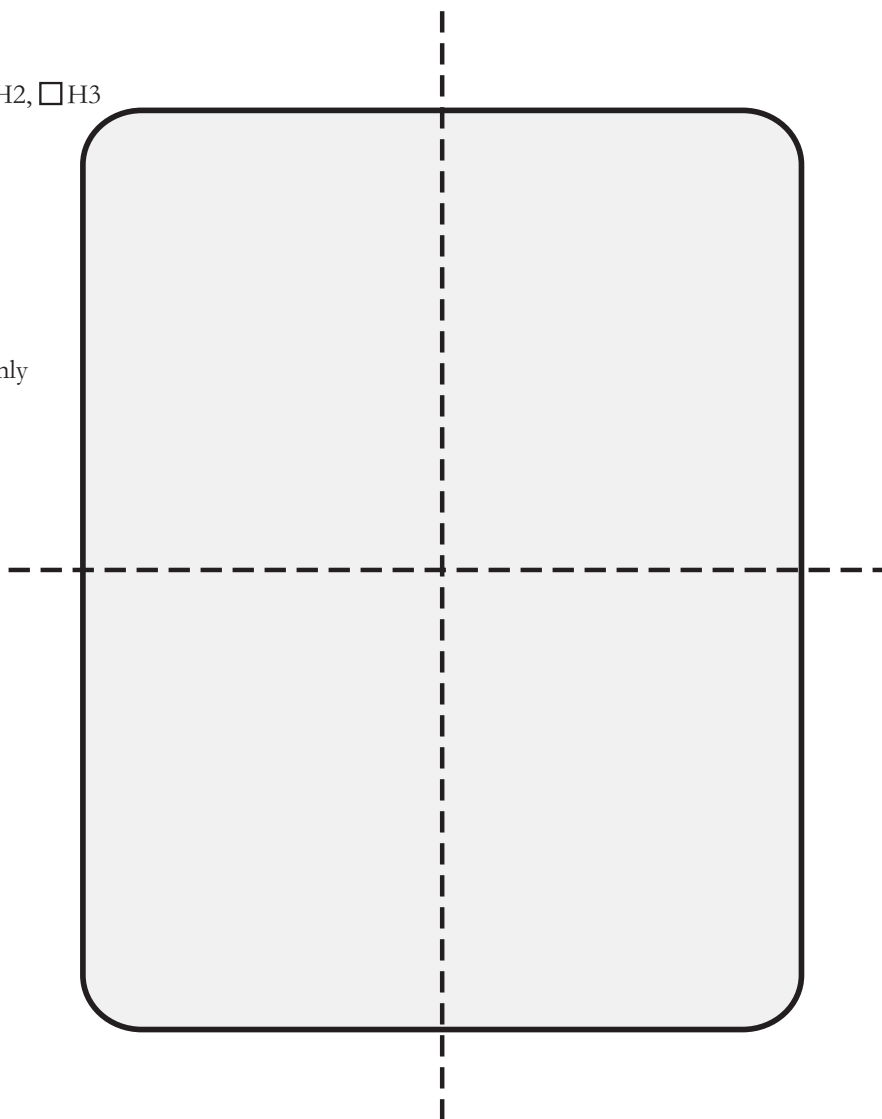
- Breather
- Drain
- Breather & Drain

Hinge Lift:

- HL

Wiring:

- UL
- Non-UL
- No Wiring



X P CONTROL STATION S

Akron Electric, Inc.

Manufacturers of Explosion-Proof Enclosures & Electrical Systems

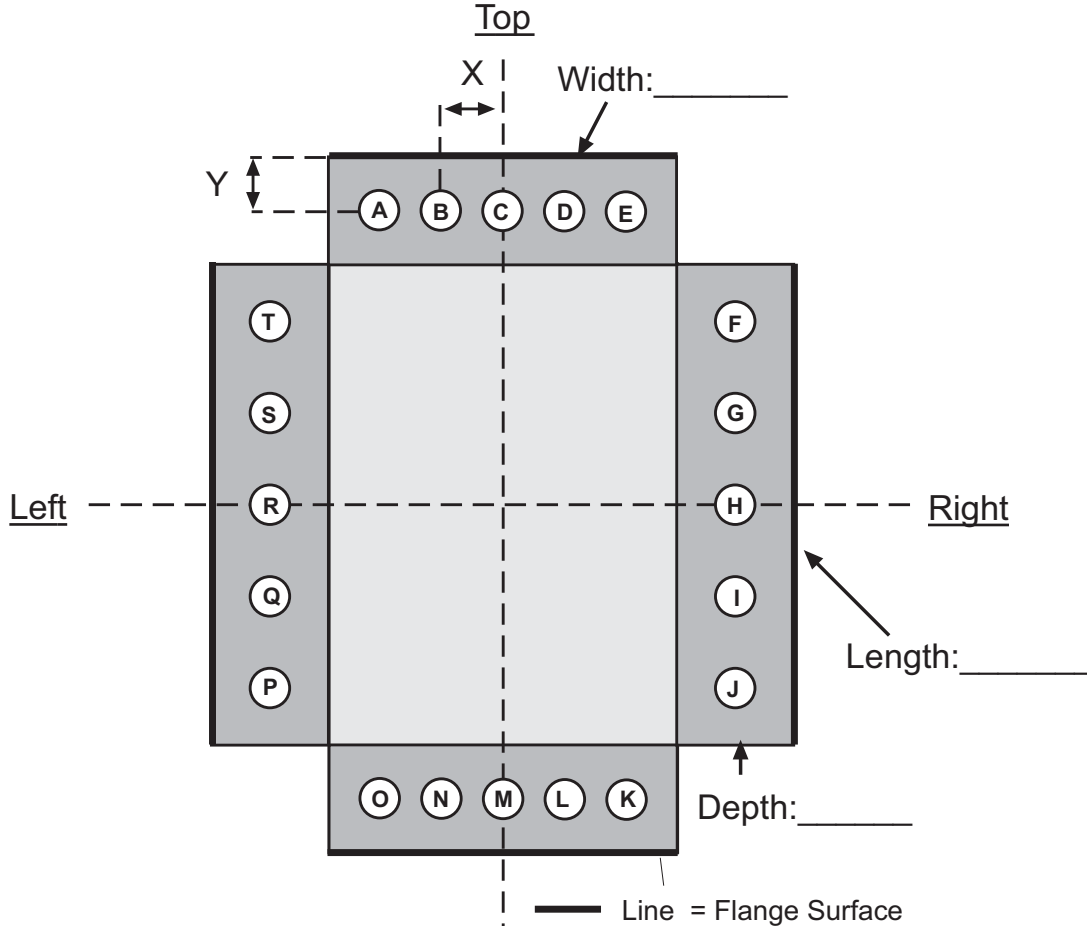
Akron Drilling & Tapping Instructions Customer Design Sheet

Please fill in the appropriate fields to customize your own enclosure
 FAX this form to: 330-745-2504 OR
 Scan & E-mail this form to: sales@akronelectric.com

Base Layout

Catalog Product Series: _____ (AXJ, CXJ, etc.)

Quantity of enclosures: (_____)



Note: X = Distance from Center Line
 Y = Distance from Top of Enclosure (Flange Surface)

Location	NPT Description:	Size	X	Y
A				
B				
C				
D				
E				
F				
G				
H				
I				
J				
K				

Location	NPT Description:	Size	X	Y
L				
M				
N				
O				
P				
Q				
R				
S				
T				
Breather		1/2" NPT		
Drain		1/2" NPT		



Explosion-Proof Control Station Ordering Information

ORDERING INSTRUCTIONS:

- 1) Choose enclosure size
- 2) Choose modifications from Table III
- 3) Select the letter to specify the location of the conduit opening from Table II (Below).
- 4) Choose the outlet code number to indicate the size of desired conduit from Table IV.
- 5) Add all modifications from Table III to the end of the Control Station catalog number.
- 6) List the conduit size & location on separate line from catalog number & modifications

EXAMPLE: CXJ 12186 - H2 - N1 - N4 - G3 - 5N6

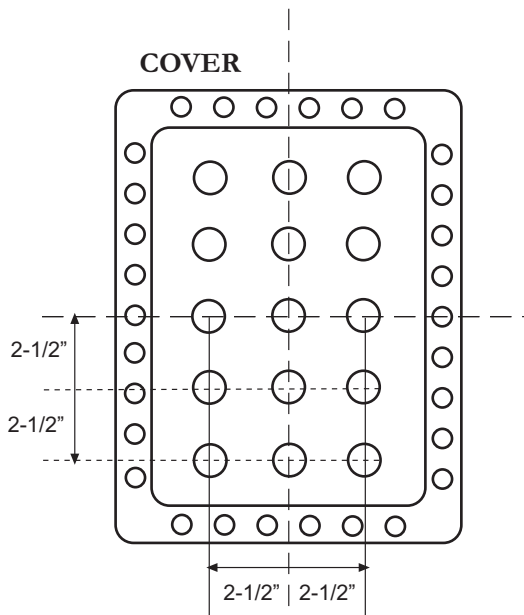
- (2) XPBS-FBA, (3) XPLSB-120R, (1) 1/2" NPT (2) 3/4" NPT,
(5) 3/4" NPSM, (1) 1" NPT
(C1 - H3 - M2 - R2)

Example includes:

- Medium-Duty cast Hinge (H2)
Mounting Pan (N1)
NEMA 4 O-Ring gasket (N4)
(1) 3" diameter round window (G3)
(2) Black Push Button with N.O. Contact
(3) Red Pilot Lights (120V)
(5) Metallic nameplates (specify legend)
(1) 1/2" NPT
(1) 1" NPT
(2) 3/4" NPT
(5) 3/4" NPSM Operator Holes

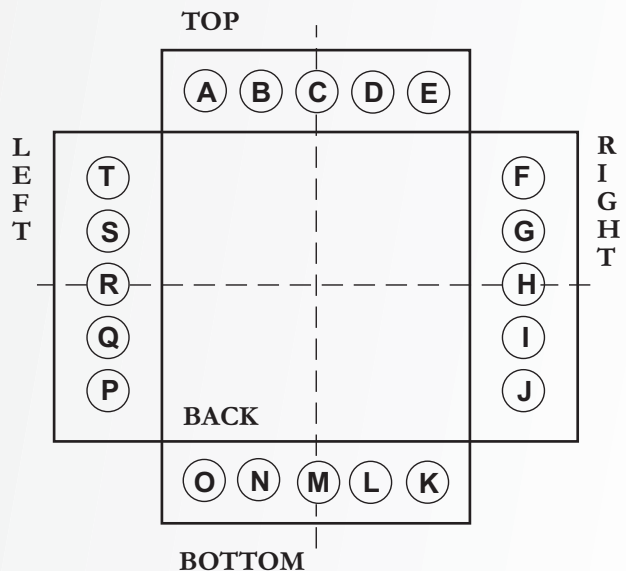
All Operator Holes are tapped 3/4"-14 NPSM; Mini Operator Holes are tapped 3/8"-16 UNC with 1" C-C
A minimum of 2-1/2" between centers of operator holes is required to maintain UL & CSA Standards Certifications
When operators are cover mounted, hinges should be used to avoid damage to wiring when opening cover
Consult Factory or attach layout sheet for combination of windows and operators
Consult Factory for any custom layouts or custom windows

TABLE I - COVER LAYOUT



Enclosure Sizes CXJ 664 through CXJ 38388

TABLE II - CONDUIT LOCATIONS



Explosion-Proof Control Station Ordering Information

TABLE III - OPTIONAL MODIFICATIONS

BD=Breather or Drain with 1/2" NPT (please specify)
 2BD=Breather & Drain
 C1= Circuit Breaker Handle, 100 AMP - installed
 C2= Circuit Breaker Handle, 225 AMP - installed
 C4= Circuit Breaker Handle, 600 AMP - installed
 C5= Circuit Breaker Handle, 800 AMP - installed
 C8= Circuit Breaker Handle, Custom - installed
 C10= Panel Board Breaker Handle
 CEN= ATEX / IECEx Option
 E1= Corrosion-Resistant Epoxy Paint (Outside only)
 E2= Corrosion-Resistant Epoxy Paint (Inside & Outside)
 E3= Stainless Steel (316) Triple Lead Captive Quick Thread Cover Bolts
 E4= Stainless Steel Mounting Hardware (Internal Hardware)
 E5= Corrosion-Resistant Epoxy Paint (Inside Only)
 E8= Custom Mounting Bracket (For meter, etc.)
 E9= Clear Anodizing
 G1= 1" Diameter Round Window Glass (Installed)
 G2= 2" Diameter Round Window Glass (Installed)
 G3= 3" Diameter Round Window Glass (Installed)
 G4= 4" Diameter Round Window Glass (Installed)
 G5= 5-1/4" Diameter Round Window Glass (Installed)
 G6= 6-3/4" Diameter Round Window Glass (Installed)
 G7= 7-5/8" Diameter Round Window Glass (Installed)
 G8= Custom Square or Rectangular Window Glass (Installed / Specify)
 H1= Stainless Steel Hinge Kit (for AXJ12126 and smaller)
 HC1= Aluminum Cast Hinge Kit (for AXJ12126 and smaller)
 H2= Medium Duty Cast Aluminum Hinge Kit (for CXJ12184 to CXJ18308)
 H3= Heavy Duty Cast Aluminum Hinge Kit (for CXJ18368 to CXJ346810)

HL*= Hinge Lifter Guide Pin
 K+= Terminal Block (Specify Qty.)
 MS= Standard XJIH Mounting Strap
 MSR= Raised XJIH Mounting Strap
 MSD= Diamond Shaped XJIH Mounting Strap
 N1= Aluminum Mounting Panel
 N2= Galvanized Mounting Panel
 N3= Phenolic Mounting Panel
 N4= NEMA 4 O-ring Gasket
 N5= Stainless Steel Rust Proof Cover Bolts
 N6= Metallic Legend Plates
 JN6= Jumbo Metallic Legend Plates
 MN6= Mini Metallic Legend Plates
 N7= Phenolic Legend Plates
 N8= Custom Legend Plates
 R3 = 3/4" NPSM Close-Up Plug
 RP1= 1/2" NPT Conduit Entry Close-Up Plug
 RP2= 3/4" NPT Conduit Entry Close-Up Plug
 RP3= 1" NPT Conduit Entry Close-Up Plug
 RP4= 1-1/4" NPT Conduit Entry Close-Up Plug
 RP5= 1-1/2" NPT Conduit Entry Close-Up Plug
 RP6= 2" NPT Conduit Entry Close-Up Plug
 RP7= 2-1/2" NPT Conduit Entry Close-Up Plug
 RP8= 3" NPT Conduit Entry Close-Up Plug
 RP9= 3-1/2" NPT Conduit Entry Close-Up Plug
 RP10= 4" NPT Conduit Entry Close-Up Plug

* - HL is suggested for enclosures with 30" of length, or when hinges are installed on the short side of the enclosure.

TABLE IV - CONDUIT SPACING

Outlet Code		MINIMUM CENTER TO CENTER CONDUIT SEPARATIONS INCHES (mm)									
		4 (M90)	3-1/2 (M85)	3 (M80)	2-1/2 (M75)	2 (M63)	1-1/2 (M50)	1-1/4 (M40)	1 (M32)	3/4 (M25)	1/2 (M20)
1	1/2	3-5/8 (92.08)	3-3/8 (85.73)	3 (76.2)	2-5/8 (66.68)	2-3/8 (60.33)	2 (50.8)	2 (50.8)	1-3/4 (44.45)	1-5/8 (41.28)	1-1/2 (38.1)
2	3/4	3-3/4 (95.25)	3-1/2 (88.9)	3-1/8 (79.38)	2-3/4 (69.85)	2-1/2 (63.5)	2-1/8 (53.98)	2-1/8 (53.98)	1-7/8 (47.63)	1-3/4 (44.45)	
3	1	4 (101.6)	3-5/8 (92.08)	3-1/4 (82.55)	3 (76.2)	2-5/8 (66.68)	2-3/8 (60.33)	2-3/8 (60.33)	2 (50.8)		
4	1-1/4	4-1/4 (107.95)	4 (101.6)	3-5/8 (92.08)	3-1/4 (82.55)	3 (76.2)	2-5/8 (66.68)	2-5/8 (66.68)			
5	1-1/2	4-1/4 (107.95)	4 (101.6)	3-5/8 (92.08)	3-1/4 (82.55)	3 (76.2)	2-5/8 (66.68)				
6	2	4-5/8 (117.48)	4-1/4 (107.95)	3-7/8 (98.43)	3-5/8 (92.08)	3-1/4 (82.55)					
7	2-1/2	4-7/8 (123.83)	4-5/8 (117.48)	4-1/4 (107.95)	3-7/8 (98.43)						
8	3	5-3/8 (136.53)	5 (127)	4-5/8 (117.48)							
9	3-1/2	5-5/8 (142.88)	5-1/4 (133.35)								
10	4	5-7/8 (149.23)									

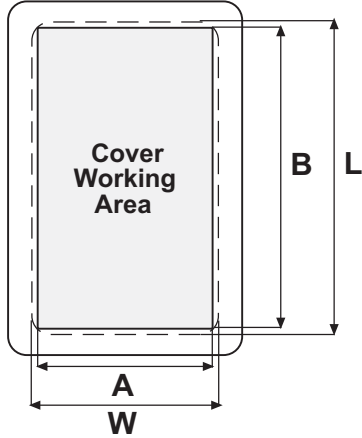
* If seals are used, extra clearance may be required. Check dimensions of seals and fittings to determine required spacing. Consult factory for assistance.

Size	Pitch	Trade Size of Conduit (NPT)	Threads Per Inches	Minimum Wall Thickness (Inches)
M50	1.5, 2	1/2 - 3/4	14	.357
M80	2	1 - 2	11-1/2	.435
M90	2	2-1/2 - 4	8	.625



Explosion-Proof Control Station Ordering Information

CXJ SERIES COVER DATA / COVER WORKING AREAS



- NOTES:**
1. All openings in cover must be within the working area.
 2. Maximum number of operators is based on 2-1/2" inch center to center.
 3. All dimensions are in inches.

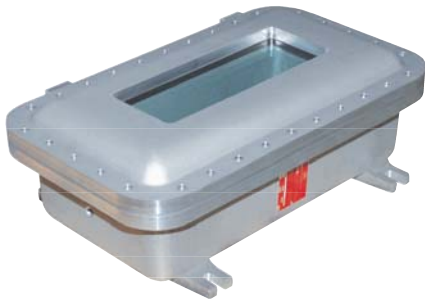
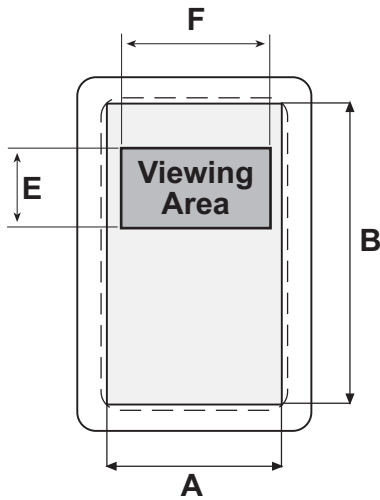
Cover Size	Nominal Dimensions		Cover Working Area		Max. Qty. Operators	
	W	L	A	B	Col.	Row.
416	4	16	2-1/2	14-1/2	1	6
66	6	6	4-1/2	4-1/2	2	2
68	6	8	4	6	2	2
610	6	10	4	8	2	3
611	6	11	4	9	2	3
612	6	12	4	10	2	4
613	6	13	4	11	2	4
616	6	16	4	14	2	5
618	6	18	4	16	2	6
648	6	48	3	39	1	15
710	7	10	5	8	2	3
718	7	18	5	16	2	6
88	8	8	6	6	2	2
810	8	10	6	8	2	3
812	8	12	6	10	2	4
911	9	11	7	9	3	3
1010	10	10	8	8	3	3
1014	10	14	7-1/2	11-1/2	3	4
1212	12	12	9-1/2	9-1/2	4	4
1218	12	18	9-1/2	15-1/2	4	6
1220	12	20	9-1/2	17-1/2	4	6
1224	12	24	9	21	4	8
1230	12	30	9	27	4	11
1236	12	36	9	33	4	13
1246	12	46	9	43	4	17
1414	14	14	11	11	4	4
1428	14	28	11	25	4	10
1616	16	16	13	13	5	5
1618	16	18	15	17	6	6
1624	16	24	12-1/2	20-1/2	5	7
1646	16	46	13	43	5	17
1818	18	18	14-1/2	14-1/2	5	5
1824	18	24	14-1/2	20-1/2	5	7
1830	18	30	14-1/2	26-1/2	6	10
1836	18	36	15	33	5	13
2424	24	24	21	21	8	8
2430	24	30	20-1/2	26-1/2	8	10
2436	24	36	20-1/2	32-1/2	8	13
3236	32	36	28-1/2	32-1/2	11	13
3468	34	68	30	64	12	25
3838	38	38	34	34	13	13

Cover Size	Nominal Dimensions		Cover Working Area		Max. Qty. Operators	
	W	L	A	B	Col.	Row.
416-FCS	4	16	3	15	1	6
66-FCS	6	6	5	5	2	2
68-FCS	6	8	5	7	2	2
610-FCS	6	10	5	9	2	3
611-FCS	6	11	5	10	2	3
612-FCS	6	12	5	11	2	4
613-FCS	6	13	5	12	2	4
616-FCS	6	16	5	15	2	5
618-FCS	6	18	5	17	2	6
648-FCS	6	48	5	47	1	15
710-FCS	7	10	6	9	2	3
718-FCS	7	18	6	17	2	6
88-FCS	8	8	7	7	2	2
810-FCS	8	10	7	9	2	3
812-FCS	8	12	7	11	2	4
911-FCS	9	11	8	10	3	3
1010-FCS	10	10	9	9	3	3
1014-FCS	10	14	9	13	3	4
1212-FCS	12	12	11	11	4	4
1218-FCS	12	18	11	17	4	6
1220-FCS	12	20	11	19	4	6
1224-FCS	12	24	11	23	4	8
1230-FCS	12	30	11	29	4	11
1236-FCS	12	36	11	35	4	13
1246-FCS	12	46	11	45	4	17
1414-FCS	14	14	13	13	4	4
1428-FCS	14	28	13	27	4	10
1616-FCS	16	16	15	15	5	5
1624-FCS	16	24	15	23	5	7
1646-FCS	16	46	15	45	5	17
1818-FCS	18	18	17	17	5	5
1824-FCS	18	24	17	23	5	7
1830-FCS	18	30	17	29	6	10
1836-FCS	18	36	17	35	5	13
2424-FCS	24	24	23	23	8	8
2430-FCS	24	30	23	29	8	10
2436-FCS	24	36	23	35	8	13

Explosion-Proof Control Station Ordering Information

X
P
C
O
N
T
R
O
L
S
T
A
T
I
O
N
S

EXPLOSION-PROOF SQUARE WINDOWS / GLASS COVER - SERIES DATA



Catalog #	Viewing Area		Minimum Cover Working Area Req'd.
	E	F	
G8 (1 x 3)	1" x 3"		Consult Factory
G8 (2 x 4)	2" x 4"		
G8 (2 x 7)	2" x 7"		
G8 (3 x 6)	3" x 6"		
G8 (4 x 4)	4" x 4"		
G8 (4 x 8)	4" x 8"		
G8 (5 x 10)	5" x 10"		
G8 (6 x 6)	6" x 6"		
G8 (6 x 12)	6" x 12"		
G8 (8 x 8)	8" x 8"		
G8 (10 x 10)	10" x 10"		

Specifications:

UL / cUL Rated - File No. E-139669

10 Standard Window Sizes

Consult Factory for custom window sizes

Round, Square, Rectangular combinations permitted

All openings in cover must be within the working area

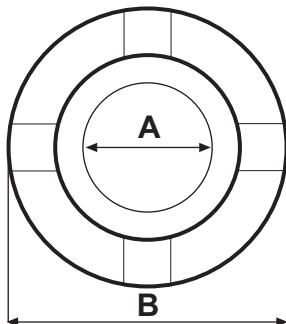
All dimensions are in inches

Applications:

Provides protection against explosion in Hazardous Locations

Allows viewing of internal meters or operating components

EXPLOSION-PROOF ROUND WINDOWS / GLASS COVER - SERIES DATA



Catalog #	Viewing Diam. "A"	Overall Dim. "B"	Thread
G1	1"	2-7/8"	2-1/2 - 16
G2	2"	4"	3-5/8 - 12
G3	3"	5-3/16"	4-3/4 - 12
G4	4"	6-3/8"	5-3/4 - 12
G5	5-1/4"	7-7/8"	7-1/8 - 12
G6	6-3/4"	10-3/8"	9-1/8 - 12
G7	7-5/8"	11-3/8"	10-1/8 - 12



Explosion-Proof Control Station Mounting Pans & Hinges

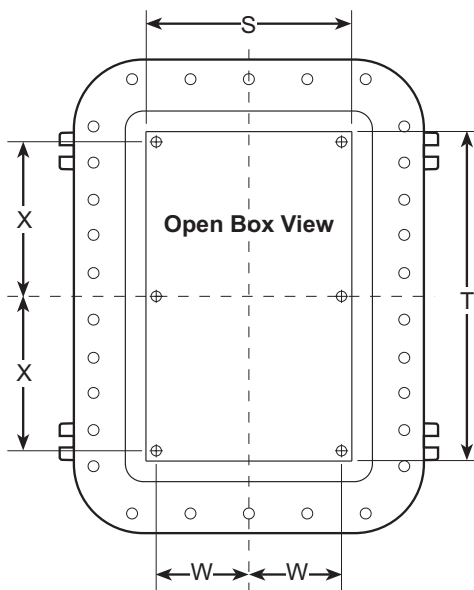
CXJ & CXJ-FCS

Mounting Pan Dimensions / Specifications

Box Inside Dimension		Mounting Pan Dimension		Mounting Boss Dimension		Number of Bosses	Hinge Type	Box Inside Dimension		Mounting Pan Dimension		Mounting Boss Dimension		Number of Bosses	Hinge Type
W	L	S	T	W	X			W	L	S	T	W	X		
4	16	3	15	---	---	0	H1/HC1	12	20	10	18	4-1/2	8-1/2	4	H2
6	6	5	5	1-3/4	1-3/4	4	H1/HC1	12	24	10	22	4-1/2	10-1/2	4	H2
6	8	5	7	1-3/4	2-3/4	4	H1/HC1	12	30	10	28	4-1/2	13-1/2	6	H2
6	10	5	9	1-1/2	3-1/2	4	H1/HC1	12	36	10	34	4	16	6	*H2
6	11	5	10	1-1/2	4	4	H1/HC1	12	46	10	44	4	21	6	*H2
6	12	5	11	1-1/2	4-1/2	4	H1/HC1	14	14	12	12	5-1/2	5-1/2	4	H2
6	13	5	12	1-1/2	5	4	H1/HC1	14	28	12	26	5	12	6	H2
6	16	5	15	1-1/2	6-1/2	4	H1/HC1	16	16	14	14	6-1/2	6-1/2	4	H2
6	18	5	17	1-1/2	6-1/2	4	H1/HC1	16	18	15	16	7	7-4/25	4	H2
6	48	5	46	---	20	4	*H1/HC1	16	24	14	22	6-1/2	10	4	H2
7	10	6	9	2	3-1/2	4	H1/HC1	16	46	14	44	6	21	6	*H2
7	18	6	17	2-1/2	6-1/2	4	H1/HC1	18	18	16	16	7	7	4	H2
8	8	6-1/2	6-1/2	2-1/2	2-1/2	4	H1/HC1	18	24	16	22	7-1/2	10	6	H2
8	10	6-1/4	8-1/4	2-1/2	3-1/2	4	H1/HC1	18	30	16	28	7	13	6	H2
8	12	6-1/2	10-1/2	2-1/2	4-1/2	4	H1/HC1	18	36	14	32	6	14-1/2	6	*H3
9	11	7-1/2	9-1/2	3	4	4	H1/HC1	24	24	20	20	9	9	6	H3
10	10	8-1/2	8-1/2	3-1/2	3-1/2	4	H1/HC1	24	30	22	28	10	13	6	H3
10	14	8	12	3-3/8	5-5/16	4	H1/HC1	24	36	20	32	8-1/2	14-1/2	6	*H3
12	12	10	10	4-1/2	4-1/2	4	H1/HC1	32	36	30	34	14	16	6	*H3
12	12LW	10	10	4-1/2	4-1/2	0	H1/HC1	34	68	32	66	---	---	0	*H3
12	18	10	16	4-1/2	7-1/2	4	H2	38	38	36	36	---	---	0	*H3

* Additional hinges are required for enclosures with lengths (L) of 36 inches or longer.
 Note: Non-Removable Hinges are mounted on left side as standard (unless specified).

Note: All dimensions are for reference only
 Note: C/F If larger Mounting Pan Required
 Note: Mounting Bosses are 1/8" standard height. This dimension is not a part of dimension "D" - depth of enclosure base. Aluminum Mtg. Pans are 3/16" thick.



Explosion-Proof Control Station Mounting Pans & Hinges

Control Station Hinge Kit Nomenclatures

Enclosure Size	Hinge
4164	H1/HC1
664	H1/HC1
684	H1/HC1
685	H1/HC1
686	H1/HC1
6104	H1/HC1
6115	H1/HC1
6124	H1/HC1
6126	H1/HC1
6135	H1/HC1
6164	H1/HC1
6186	H1/HC1
6485	3H1/3HC1
7104	H1/HC1
7185	H1/HC1
884	H1/HC1
886	H1/HC1
888	H1/HC1
8104	H1/HC1
8106	H1/HC1
8108	H1/HC1
8124	H1/HC1
8126	H1/HC1
8128	H1/HC1
9115	H1/HC1
10104	H1/HC1
10106	H1/HC1
10108	H1/HC1
10144	H1/HC1
10146	H1/HC1
10148	H1/HC1
12124	H1/HC1
12126	H1/HC1
12126LW	H1/HC1
12128	H1/HC1
12184	H2
12186	H2
12188	H2
12205	H2
12244	H2
12246	H2
12248	H2
122410	H2
12306	H2
12364	3H2

Enclosure Size	Hinge
12366	3H2
12368	3H2
12468	3H2
14146	H2
14148	H2
14286	H2
16164	H2
16166	H2
16168	H2
161812	H2
16246	H2
16248	H2
162410	H2
164610	3H3
18184	H2
18186	H2
18188	H2
18246	H2
18248	H2
182410	H2
182412	H2
18308	H2
18368	3H3
183610	3H3
24248	H3
242410	H3
24308	H3
24368	3H3
243610	3H3
243612	3H3
323612	3H3
346810	4H3
38388	3H3
383816	3H3



H1



H2/H3

Note: (H1) = Stainless Steel Modular Hinge
(HC1, H2 & H3) = Cast Aluminum Hinge



Explosion-Proof Control Station Conduit Working Area

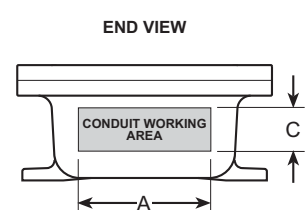
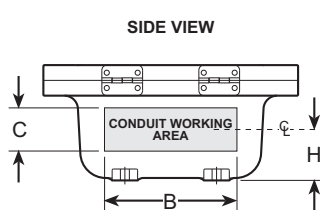
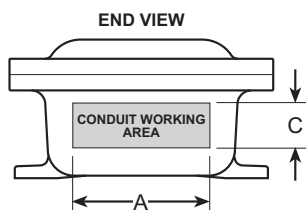
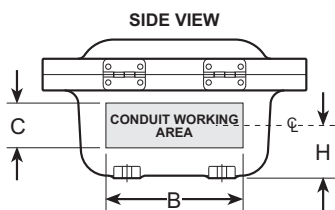
CXJ & CXJ-FCS

ENCLOSURE CATALOG NUMBER CXJ	SHORT SIDE		LONG SIDE		CL OF WORKING AREA H	ENCLOSURE CATALOG NUMBER CXJ	SHORT SIDE		LONG SIDE		CL OF WORKING AREA H
	WIDTH A	DEPTH C	LENGTH B	DEPTH C			WIDTH A	DEPTH C	LENGTH B	DEPTH C	
4164	2-1/2	2-1/8	14-1/2	2-1/8	2-1/2	12244	10	1-5/8	22	1-5/8	2-3/4
664	4-3/4	2-3/8	4-3/4	2-3/8	2-1/4	12246	9-13/16	3-5/8	21-13/16	3-5/8	3-3/4
684	4-3/4	2-1/4	6-3/4	2-1/4	2-3/8	12248	9-11/16	5-5/8	21-11/16	5-5/8	4-3/4
685	4-1/2	3-1/4	6-1/2	3-1/4	2-7/8	122410	9-9/16	7-5/8	21-9/16	7-5/8	5-3/4
686	4-1/2	4-1/4	6-1/2	4-1/4	3-3/8	12306	9-13/16	3-5/8	27-13/16	3-5/8	3-3/4
6104	4-3/4	2-3/8	8-3/4	2-3/8	2-3/8	12364	8-1/2	1-1/4	32-1/2	1-1/4	2-7/8
6115	4-5/16	3-1/8	9-5/16	3-1/8	3-7/8	12366	8-5/16	3-1/4	32-5/16	3-1/4	3-7/8
6124	4-1/2	2-1/8	10-1/2	2-1/8	2-3/8	12368	8-3/16	5-1/4	32-3/16	5-1/4	4-7/8
6126	4-5/16	4-1/8	10-5/16	4-1/8	3-3/8	12468	8-3/16	5-1/4	42-3/16	5-1/4	4-7/8
6135	4-5/16	3-1/8	11-5/16	3-1/8	2-7/8	14146	11-13/16	3-5/8	11-13/16	3-5/8	3-3/4
6164	4-3/4	2-1/8	14-3/4	2-1/8	2-1/2	14148	11-11/16	5-5/8	11-11/16	5-5/8	4-3/4
6186	4-9/16	4-1/8	16-9/16	4-1/8	3-1/2	14286	10-5/16	3-1/4	24-5/16	3-1/4	3-7/8
6485	4-1/2	3-1/8	46-1/2	3-1/8	3-5/8	16164	14	1-1/2	14	1-1/2	2-3/4
7104	5-1/2	2-1/8	8-1/2	2-1/8	2-1/2	16166	13-13/16	3-1/2	13-13/16	3-1/2	3-3/4
7185	5-7/16	3-1/8	16-7/16	3-1/8	3	16168	13-11/16	5-1/2	13-11/16	5-1/2	4-3/4
884	6-1/2	2-1/8	6-1/2	2-1/8	2-1/2	161812	13-7/16	9-3/8	15-7/16	9-3/8	7-3/8
886	6-5/16	4-1/8	6-5/16	4-1/8	3-1/2	16246	13-13/16	3-1/2	21-13/16	3-1/2	3-5/8
888	6-3/16	6-1/8	6-3/16	6-1/8	4-1/2	16248	13-11/16	5-1/2	21-11/16	5-1/2	4-5/8
8104	6-1/2	2-1/8	8-1/2	2-1/8	2-1/2	162410	13-9/16	7-3/8	21-9/16	7-3/8	5-3/4
8106	6-5/16	4-1/8	8-5/16	4-1/8	3-1/2	164610	12-1/16	7	42-1/16	7	6
8108	6-3/16	6-1/8	8-3/16	6-1/8	4-1/2	18184	15-3/4	1-3/8	15-3/4	1-3/8	2-3/4
8124	6-1/2	2-1/8	10-1/2	2-1/8	2-1/2	18186	15-9/16	3-3/8	15-9/16	3-3/8	3-3/4
8126	6-5/16	4-1/8	10-5/16	4-1/8	3-1/2	18188	15-7/16	5-3/8	15-7/16	5-3/8	5-1/8
8128	6-3/16	6-1/8	10-3/16	6-1/8	4-3/8	18246	15-9/16	3-1/4	21-9/16	3-1/4	3-3/4
9115	7-5/16	3-1/8	9-5/16	3-1/8	3	18248	15-7/16	5-1/4	21-7/16	5-1/4	4-3/4
10104	8-1/2	2	8-1/2	2	2-1/2	182410	15-5/16	7-1/4	21-5/16	7-1/4	5-3/4
10106	8-5/16	4	8-5/16	4	3-1/2	182412	15-7/16	9-3/8	21-7/16	9-3/8	7-3/8
10108	8-3/16	6	8-3/16	6	4-1/2	18308	15-7/16	5-1/4	27-7/16	5-1/4	4-3/4
10144	8	1-3/4	12	1-3/4	2-5/8	18368	14-3/16	3-5/8	32-3/16	3-5/8	5-3/8
10146	7-13/16	3-3/4	11-13/16	3-3/4	3-5/8	183610	14-1/16	6-1/2	32-1/16	6-1/2	6-1/4
10148	7-11/16	5-3/4	11-11/16	5-3/4	4-5/8	24248	21-15/16	5	21-15/16	5	5-1/2
12124	10	1-5/8	10	1-5/8	2-5/8	242410	21-13/16	6-5/8	21-13/16	6-5/8	6-1/4
12126	9-13/16	3-5/8	9-13/16	3-5/8	3-5/8	24308	21-7/16	5-1/4	27-7/16	5-1/4	4-3/4
12126LW	10-1/4	4-1/4	10-1/4	4-1/4	3-3/4	24368	21-15/16	3	33-15/16	3	5-3/4
12128	9-11/16	5-5/8	9-11/16	5-5/8	4-13/16	243610	21-13/16	5-5/8	33-13/16	5-5/8	6-3/8
12184	10	1-5/8	16	1-5/8	2-5/8	243612	21-13/16	7-5/8	33-13/16	7-5/8	7-5/8
12186	9-13/16	3-5/8	15-13/16	3-5/8	3-5/8	323612	29	2-3/4	33	2-3/4	4-3/4
12188	9-11/16	5-5/8	15-11/16	5-5/8	4-5/8	346810	21-9/16	2-1/8	55-9/16	2-1/8	4-7/8
12205	9-13/16	2-5/8	17-13/16	2-5/8	3-1/8	38388	22	5-1/8	22	5-1/8	7-1/2
						383816	22	5-1/8	22	5-1/8	7-1/2

Note: All dimensions are for reference only - C/F for questions regarding design dimensional data

CXJ

CXJ-FCS



Akron Drilling & Tapping Instructions

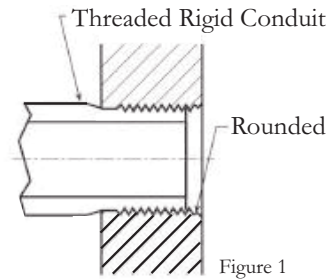
INSTRUCTIONS FOR DRILLING AND TAPPING OF CONDUIT AND OPERATOR OPENINGS FOR USE IN CLASSIFIED ENCLOSURES PLACED IN HAZARDOUS LOCATIONS

TO COMPLY WITH REQUIREMENTS FOR DRILLING AND TAPPING OF **CXJ, CXI, CXP** SERIES
CONTROL ENCLOSURES, THESE INSTRUCTIONS MUST BE FOLLOWED:

A.) CONDUIT OPENINGS

- 1.) All conduit openings must have minimum of (5) full NPT threads. Minimum size 1/2" NPT is allowed.
- 2.) For through the wall threaded conduit openings, the following options are available:
 - A.) The inner end shall be smooth and well rounded as shown in figure (1).
 - B.) If the inner end of conduit can not be well rounded, then the wall thickness should not be less than minimum and more than maximum noted in TABLE (I).
If the wall thickness exceeds the maximum shown:
 - I.) Counterbore the wall 1/8" larger than outside conduit diameter to meet the value in TABLE (I). or,
 - II.) Drill and tap the next larger NPT thread size and install a UL listed reducer bushing. When using a reducer, use the dimension and spacing applicable to the external thread size of the reducer, NOT the conduit.
- 3.) TABLE (II) provides the minimum spacing between conduit centers for any combination of conduit sizes and provides clearance for required conduit bushing on protruding end of conduit inside the box. The spacing in TABLE II may not be sufficient if conduit seal, union or other fittings are used. Check dimensions of seals and fittings to determine the required spacing.
- 4.) Tapping depth of NPT thread gage must be plus 1/2 turn minimum to +3-1/2 turn maximum of standard plug gage.
- 5.) All conduit and operator openings must be located within the flat areas shown on TABLE (III).

Conduit Opening Without Conduit Stop



B.) OPERATOR OPENINGS

Field drilling and tapping for installation of operators are allowed if the following requirements are met:

- 1.) Drill and tap for 3/4-14 NPSM and 3/8-16 UNC threads only. There must be minimum of five (5) full threads for Groups C & D and seven (7) full threads for Group B application.
- 2.) Use TABLE (III) for the maximum number of openings based on 2-1/2" center to center.
- 3.) Use only UL listed/recognized devices with proper rating as indicated on the enclosure nameplate (class, group, etc.), in all the tapped holes.
- 4.) For watertight (Type 4) rated enclosures, be sure to use watertight operators.

Table I

TRADE SIZE OF CONDUIT (NPT)	THREADS PER INCH	ALLOWABLE WALL THICKNESS AT CONDUIT OPENINGS		MAXIMUM NUMBER OF CONDUIT THREADS
		MINIMUM (Inches)	MAXIMUM	
1/2 - 3/4	14	3/8	7/16	6
1 - 1-1/4	11-1/2	7/16	1/2	6
1-1/2 - 2	11-1/2	7/16	9/16	7
2-1/2	8	5/8	7/8	7
3 - 3-1/2	8	5/8	1	8
4	8	5/8	1-1/8	9

WARNING:

The information and instructions in this bulletin are based on information and data which we believe to be accurate and reliable. Since the method of application and the conditions under which our products are put to use are beyond our control, we are not able to guarantee the application and/or use of same. The user assumes all risk and liability in connection with the application and use of our products.

Table II

Outlet Code	MINIMUM CENTER TO CENTER CONDUIT SEPARATIONS INCHES (mm)									
	4 (M90)	3-1/2 (M85)	3 (M80)	2-1/2 (M75)	2 (M63)	1-1/2 (M50)	1-1/4 (M40)	1 (M32)	3/4 (M25)	1/2 (M20)
1 1/2 (M20)	3-5/8 (92.08)	3-3/8 (85.73)	3 (76.2)	2-5/8 (66.68)	2-3/8 (60.33)	2 (50.8)	2 (50.8)	1-3/4 (44.45)	1-5/8 (41.28)	1-1/2 (38.1)
2 3/4 (M25)	3-3/4 (95.25)	3-1/2 (88.9)	3-1/8 (79.38)	2-3/4 (69.85)	2-1/2 (63.5)	2-1/8 (53.98)	2-1/8 (53.98)	1-7/8 (47.63)	1-3/4 (44.45)	
3 1 (M32)	4 (101.6)	3-5/8 (92.08)	3-1/4 (82.55)	3 (76.2)	2-5/8 (66.68)	2-3/8 (60.33)	2-3/8 (60.33)	2 (50.8)		
4 1-1/4 (M40)	4-1/4 (107.95)	4 (101.6)	3-5/8 (92.08)	3-1/4 (82.55)	3 (76.2)	2-5/8 (66.68)	2-5/8 (66.68)			
5 1-1/2 (M50)	4-1/4 (107.95)	4 (101.6)	3-5/8 (92.08)	3-1/4 (82.55)	3 (76.2)	2-5/8 (66.68)				
6 2 (M63)	4-5/8 (117.48)	4-1/4 (107.95)	3-7/8 (98.43)	3-5/8 (92.08)	3-1/4 (82.55)					
7 2-1/2 (M75)	4-7/8 (123.83)	4-5/8 (117.48)	4-1/4 (107.95)	3-7/8 (98.43)						
8 3 (M80)	5-3/8 (136.53)	5 (127)	4-5/8 (117.48)							
9 3-1/2 (M85)	5-5/8 (142.88)	5-1/4 (133.35)								
10 4 (M90)	5-7/8 (149.23)									

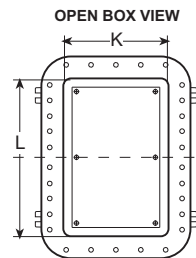


Akron Drilling & Tapping Instructions

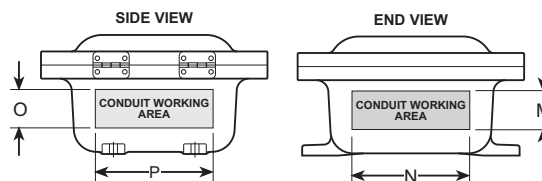
Table III.1

CATALOG NUMBER	COVER AREA	COVER AREA		SHORT SIDE (INCHES)		LONG SIDE (INCHES)		MAXIMUM CONDUIT* (INCHES)
		K	L	M	N	O	P	
CXJ 4x16x4	2-1/2	14-1/2	2	2-1/2	2	14-1/2	3	
CXJ 6x6x4	4-1/2	4-1/2	2	5	2	5	3	
CXJ 6x8x4	4	6	2	5	2	7	3	
CXJ 6x8x5	4	6	3	5	3	7	3	
CXJ 6x8x6	4	6	4	5	4	7	4	
CXJ 6x10x4	4	8	2	5	2	9	3	
CXJ 6x11x5	4	9	3	4-1/2	3	9-1/2	3	
CXJ 6x12x4	4	10	2	4-1/2	2	10-1/2	3	
CXJ 6x12x6	4	10	4	4-1/2	4	10-1/2	4	
CXJ 6x13x5	4	11	3	4-1/2	3	11-1/2	3	
CXJ 6x16x4	4	14	2	5	2	15	3	
CXJ 6x18x6	4	16	4	5	4	17	4	
CXJ 7x10x4	5	8	2	5-1/2	2	8-1/2	3	
CXJ 7x10x6	5	8	4	5-1/2	4	8-1/2	4	
CXJ 7x18x5	5	16	3	6	3	17	3	
CXJ 8x8x4	6	6	2	6-1/2	2	6-1/2	3	
CXJ 8x8x6	6	6	4	6-1/2	4	6-1/2	4	
CXJ 8X8X8	6	6	6	6-1/2	6	6-1/2	4	
CXJ 8x10x4	6	8	2	6-1/2	2	8-1/2	3	
CXJ 8x10x6	6	8	4	6-1/2	4	8-1/2	4	
CXJ 8x10x8	6	8	6	6-1/2	6	8-1/2	4	
CXJ 8X12X4	6	10	2	6-1/2	2	10-1/2	3	
CXJ 8x12x6	6	10	4	6-1/2	4	10-1/2	4	
CXJ 8x12x8	6	10	6	6-1/2	6	10-1/2	4	
CXJ 9x11x5	7	9	3	7-1/2	3	9-1/2	3	
CXJ 10x10x4	8	8	2	8-1/2	2	8-1/2	3	
CXJ 10x10x6	8	8	4	8-1/2	4	8-1/2	4	
CXJ 10x10x8	8	8	6	8-1/2	6	8-1/2	4	
CXJ 10x14x4	7-1/2	11-1/2	1-1/2	8	1-1/2	12	3	
CXJ 10x14x6	7-1/2	11-1/2	3-1/2	8	3-1/2	12	4	
CXJ 10x14x8	7-1/2	11-1/2	5-1/2	8	5-1/2	12	4	
CXJ 12x12x4	9-1/2	9-1/2	1-1/2	10	1-1/2	10	3	
CXJ 12x12x6	9-1/2	9-1/2	3-1/2	10	3-1/2	10	4	
CXJ 12x12x8	9-1/2	9-1/2	5-1/2	10	5-1/2	10	4	
CXJ 12x18x4	9-1/2	15-1/2	1-1/2	10	1-1/2	16	3	
CXJ 12x18x6	9-1/2	15-1/2	3-1/2	10	3-1/2	16	4	
CXJ 12x18x8	9-1/2	15-1/2	5-1/2	10	5-1/2	16	4	

*Note: Max. Conduit includes conduit in backwall capability. C/F for further information.



CXJ



CXJ-FCS

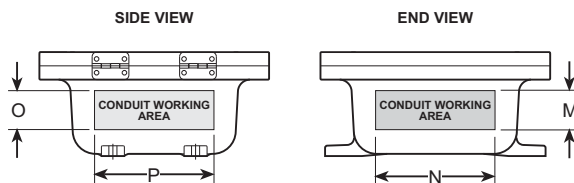
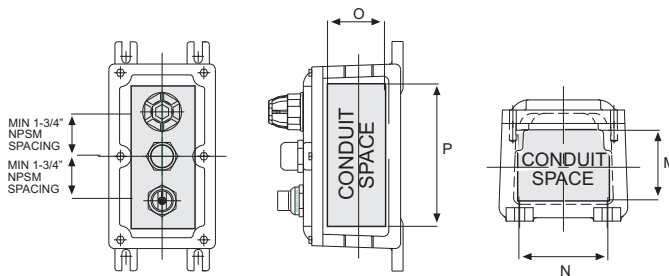


Table III.2

CATALOG NUMBER CXI / CXP	MAX NO. OF OPERATORS IN COVER	LONG SIDE (IN INCHES)		SHORT SIDE (IN INCHES)		MAXIMUM CONDUIT (IN INCHES)
		O	P	M	N	
CXI 3x3x3	1	1-1/2	1-1/2	1-1/2	1-1/2	1-1/2
CXI 3x6x3	2	1-1/2	4-1/2	1-1/2	1-1/2	1-1/2
CXI 3x7x3	3	1-1/2	5-1/2	1-1/2	1-1/2	1-1/2
CXI 3x9x3	4	1-1/2	7-1/2	1-1/2	1-1/2	1-1/2
CXI 3x11x3	5	1-1/2	9-1/2	1-1/2	1-1/2	1-1/2
CXI 3x13x3	6	1-1/2	11-1/2	1-1/2	1-1/2	1-1/2
CXI 3x15x3	7	1-1/2	13-1/2	1-1/2	1-1/2	1-1/2
CXI 3x18x3	9	1-1/2	16-1/2	1-1/2	1-1/2	1-1/2

*Note: CXP Panel Mount available when required - C/F



Akron Electric, Inc.

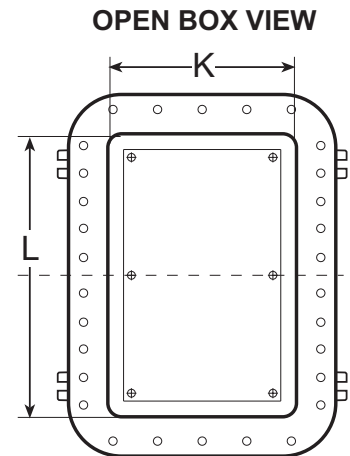
Manufacturers of Explosion-Proof Enclosures & Electrical Systems

Akron Drilling & Tapping Instructions

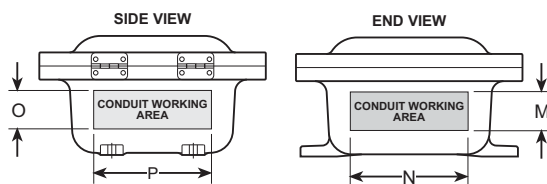
Table III.3

CATALOG NUMBER		COVER AREA		SHORT SIDE (INCHES)		LONG SIDE (INCHES)		MAXIMUM CONDUIT (INCHES)
		K	L	M	N	O	P	
CXJ	12x20x5	9-1/2	17-1/2	2-1/2	10	2-1/2	18	3
CXJ	12x24x4	9	21	1-1/2	10	1-1/2	22	3
CXJ	12x24x6	9	21	3-1/2	10	3-1/2	22	4
CXJ	12x24x8	9	21	5-1/2	10	5-1/2	22	4
CXJ	12x24x10	9	21	7-1/2	10	7-1/2	22	4
CXJ	12x30x6	9	27	3-1/2	10	3-1/2	28	4
CXJ	12x36x4	9	33	1	10	1	33	3
CXJ	12x36x6	9	33	3	10	3	33	4
CXJ	12x36x8	9	33	5	10	5	33	4
CXJ	12x46x8	9	43	5	9	5	43	4
CXJ	14x14x4	11	11	1-1/2	12	1-1/2	12	3
CXJ	14x14x6	11	11	3-1/2	12	3-1/2	12	4
CXJ	14x14x8	11	11	5-1/2	12	5-1/2	12	4
CXJ	14x28x6	11	25	3	11 1/2	3	25-1/2	4
CXJ	16x16x4	13	13	1-1/2	14	1-1/2	14	3
CXJ	16x16x6	13	13	3-1/2	14	3-1/2	14	4
CXJ	16x18x12*	15	17	9-3/8	13-7/16	9-3/8	15-7/16	4
CXJ	16x16x8	13	13	5-1/2	14	5-1/2	14	4
CXJ	16x24x6	12-1/2	20-1/2	3-1/2	14	3-1/2	22	4
CXJ	16x24x8	12-1/2	20-1/2	5-1/2	14	5-1/2	22	4
CXJ	16x24x10	12-1/2	20-1/2	7-1/2	14	7-1/2	22	4
CXJ	16x46x10	13	43	7	13	7	43	3
CXJ	18x18x4	14-1/2	14-1/2	2	16	2	16	4
CXJ	18x18x6	14-1/2	14-1/2	4	16	4	16	4
CXJ	18x18x8	14-1/2	14-1/2	6	16	6	16	4
CXJ	18x24x6	14-1/2	20-1/2	3	16	3	22	4
CXJ	18x24x8	14-1/2	20-1/2	5	16	5	22	4
CXJ	18x24x10	14-1/2	20-1/2	7	16	7	22	4
CXJ	18x24x12*	16	22	9-3/8	15-7/16	9-3/8	21-7/16	4
CXJ	18x30x8	14-1/2	26-1/2	5-1/2	16	5-1/2	28	4
CXJ	18x36x8	15	33	3-1/2	16	3-1/2	34	4
CXJ	18x36x10	15	33	5-1/2	16	5-1/2	34	4
CXJ	24x24x8	21	21	4-1/2	21	4-1/2	21	4
CXJ	24x24x10	21	21	6-1/2	21	6-1/2	21	4
CXJ	24x30x8	20-1/2	26-1/2	5	22	5	28	4
CXJ	24x36x8	20-1/2	32-1/2	4-1/2	21	4-1/2	33	4
CXJ	24x36x10	20-1/2	32-1/2	6-1/2	21	6-1/2	33	4
CXJ	32x36x12*	28-1/2	32-1/2	2-3/4	29	2-3/4	33	4
CXJ	34x68x10*	30	64	2.13	21.56	2.13	52.38	2#
CXJ	38x38x8*	34	34	5.13	22	5.13	22	4#

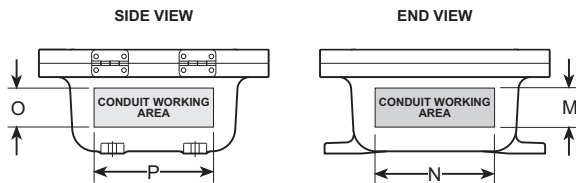
*Note - Not available in CXJ-FCS
- C/F



CXJ



CXJ-FCS





Explosion-Proof Control Stations "CXI" Series

"When a smaller enclosure is needed for industrial controls, our CXI Series cannot be beat."

Features:

- All enclosures are available in NEMA 4X with neoprene gasket for water tight applications.
- All enclosures are suitable for surface or panel mounting.
- Cast from light - weight corrosion resistant aluminum
- Attractive wheelabraste finish
- Durable cast mounting feet and easily accessible grounding screw.
- Expanded internal space for splicing or terminal blocks.
- Available to use with Mini Pilot Device Series (1" center to center)

Ordering Instructions:

All "CXI" enclosures are machined with operator (3/4" NPSM in cover) and standard conduit holes as specified in chart. (Consult factory for custom specifications).

To order NEMA-4 gasket, add suffix "N4" to part number (CXI 333-X1-N4). For Panel Mount Applications (3/4" NPSM in base instead of cover), use prefix "CXP" instead of "CXI" (CXP 333-X1).

To order Junction Box type enclosures, order "AXI" Series Enclosures.

Spacing constraints may apply when using some operator types (Mushroom Head P.B., Illum. P.B., Push to Test P.L., etc.); C/F

Consult factory for terminal installation or custom layouts.

See "order form page" on additional information to customize this enclosure.

Materials:

Enclosures: Copper-free Aluminum (less than 0.25% copper content)

Cover Bolts: Cad-Plated or Stainless Steel (please specify)

Mounting Pan (Opt.): Aluminum*;

Galvanized Steel or Phenolic Materials available upon request.

*Note: Aluminum Mounting Pan will be provided if mounting pan is requested, unless otherwise noted.

Compliances:

N.E.C. - Class. I, Div. 1 & 2 Groups B*, C & D

Class. II, Div. 1 & 2 Groups E, F & G

Class. III

NEMA 7 & 9 (Optional 3, 4X)

* - CXI 484 Only



Certificate Number 03.059.1

ISO 9001 With Design

Approvals:

UL CLASSIFIED - Standard 1203 - E139669

cUL (CXI 4 & 6) - Standard C22.2 No. 30-M1986 and No. 25-1966

CSA Certified (CXI 3) - Standard C22.2 No. LR86146

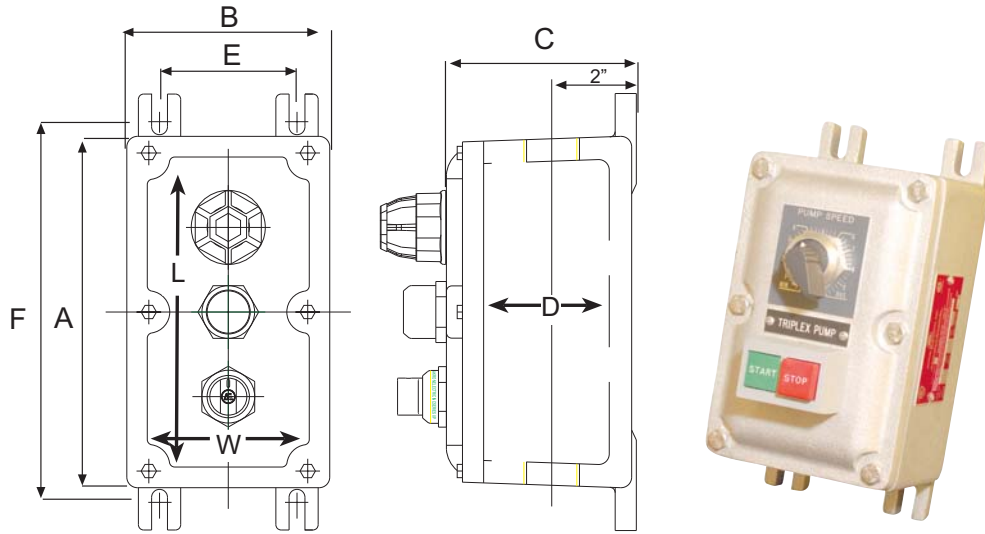
Applications:

Locations such as Waste Water Treatment Plant (WWTP), Processing Facilities (Oil, Gas, etc.), Refineries, & Chemical Plants explosion

CXI series can be used for Control Stations, Manual Motor Starters, or Pendant Stations

**Try our spacious
CXI 484 when
Group B is required**

Explosion-Proof Control Stations “CXI” Series



Catalog Number	Nominal Inside Dimensions			Dimensions In Inches					Std. Est. Conduit		Mtg. Bolt Size
	W	L	D	A	B	C	F	E	Lbs.	Size	
CXI 333-X1	3-1/2	3-1/2	3	4-9/16	4-9/16	4-1/2	5-1/2	3-1/4	5	3/4"	1/4"
CXI 363-X2	3-1/2	6	3	7-1/16	4-9/16	4-1/2	8	3-1/4	6	3/4"	1/4"
CXI 373-X3	3-1/2	7	3	8-1/16	4-9/16	4-1/2	9	3-1/4	7	3/4"	1/4"
CXI 393-X4	3-1/2	9	3	10-1/16	4-9/16	4-1/2	11	3-1/4	8	1"	1/4"
CXI 3113-X5	3-1/2	11	3	12-1/16	4-9/16	4-1/2	13	3-1/4	10	1-1/4"	1/4"
CXI 3133-X6	3-1/2	13	3	14-1/16	4-9/16	4-1/2	15	3-1/4	11	1-1/4"	1/4"
CXI 3153-X7	3-1/2	15	3	16-1/16	4-9/16	4-1/2	17	3-1/4	12	1-1/4"	1/4"
CXI 3183-X8/X9	3-1/2	18	3	19-1/16	4-9/16	4-1/2	20	3-1/4	14	1-1/4"	1/4"

Catalog Number	Nominal Inside Dimensions			Dimensions In Inches					Est. Lbs.	Max. Conduit Size	Mtg. Bolt Size
	W	L	D	A	B	C	F	E			
CXI 484	4-1/4	8	4	10-29/64	6-45/64	5-5/8	11-1/2	5-1/4	19	2"	1/4"
CXI 6104	6-1/2	10	4	11-1/16	7-9/16	6-1/8	11-27/32	6-1/4	21	2"	1/4"
CXI 6174	6-1/2	17	4	18-5/16	7-13/16	6-1/8	19-3/8	6-1/4	33	2"	1/4"
CXI 6244	6-1/2	24	4	25-13/16	7-13/16	6-1/8	26-1/4	6-1/4	45	2"	1/4"
CXI 6304	6-1/2	30	4	31-13/16	7-13/16	6-1/8	32-1/4	6-1/4	56	2"	1/4"

Enclosure	Max. Qty. Operators	
	Col.	Row
CXI 484	1	3
CXI 6104	2	3
CXI 6174	2	6
CXI 6244	2	8
CXI 6304	2	11

Note: All dimensions are for reference only

CXI SUFFIX	Number of Operators (Vert.)
X1	1
X2	2
X3	3
X4	4
X5	5
X6	6
X7	7
X8/X9	8/9

Note:

Each CXI Enclosure includes the appropriate number of operator holes as specified in the table to the left

By adding the suffixes (X1, X2, X3, etc.), one standard conduit size NPT hole will be placed at both the top and bottom of the enclosure along with the respective NPSM entries

If these specifications are not desired, please use simply the CXI number with the desired modifications listed underneath as shown on the "AKRON Easy Catalog Ordering Information" on Page 22.



Explosion-Proof Control Stations "CXI" Series

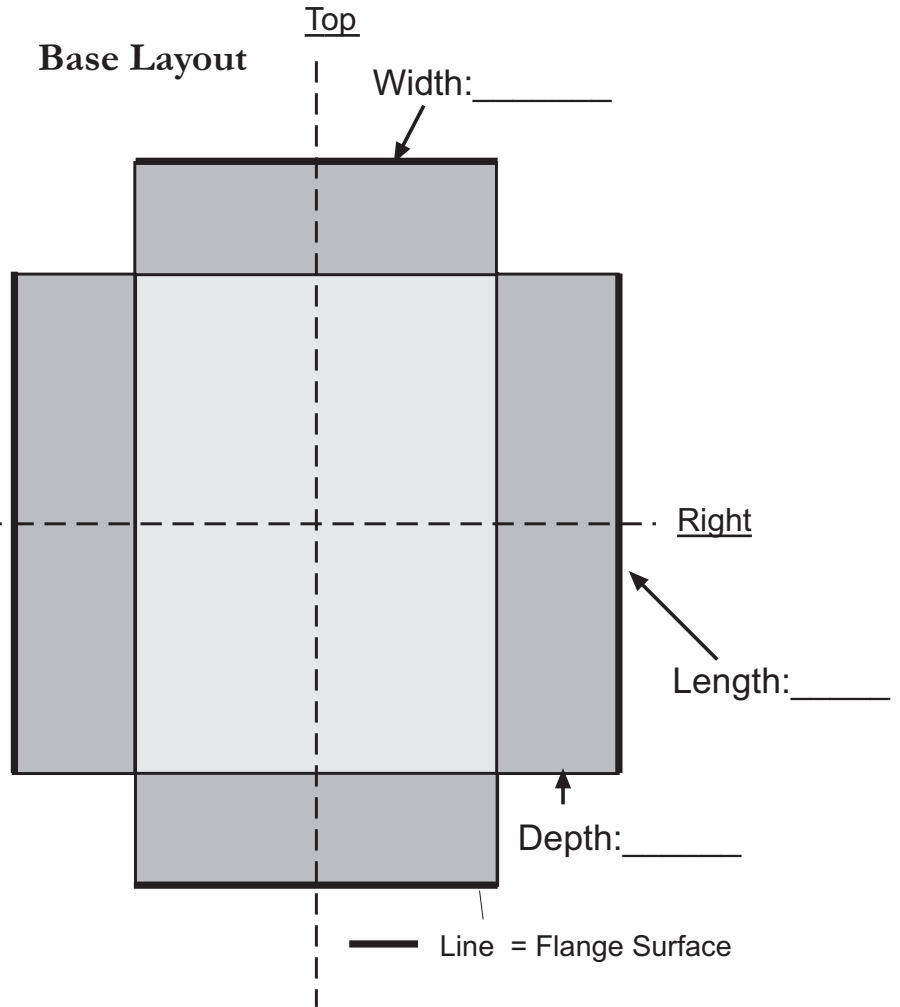
CXI Custom Ordering Information

Number of Holes	Operator Cat. No.	Legend Plate Description (Color/Material/Inscription)	Contact Block
1			
2			
3			
4			
5			
6			
7			
8			

Cover Layout



Base Layout



Note: For custom machining in cover, use Center Lines as a center point for all dimensions
Note: NPSM entries are at least 2" apart center to center

Explosion-Proof Control Stations “CXI” Series / Pendant Stations

“Ideal for the use in Lighting, Lifting & Crane Applications for the control of machinery in Explosion-Proof Environments.”



Applications:

CXI Pendant Stations are ideal for the use in Lighting, Lifting & Crane Applications for the control of machinery in Explosion-Proof Environments.

AKRON provides the Pendant Station that is best-suited for every job.

AKRON operators are also used in the Pendant Stations and manufactured and assembled in-house.

The AKRON Pendant Station can provide ease of use for the operator and prevents electrical sparks from entering the surrounding environment.

Features:

All enclosures are available in NEMA 4X with neoprene gasket for water tight applications.

All enclosures are suitable for surface or panel mounting.

Cast from light - weight corrosion resistant aluminum

Attractive wheelabraste finish

Durable cast mounting feet and easily accessible grounding screw

Expanded internal space for splicing or terminal blocks

Special Corrosion-Resistant Epoxy Coating available upon request

AKRON Electric Operators

Special handle for project use in cranes, lifts, etc.

XP Pilot Light Series equipped with bayonet receptacle bases and your choice of 12, 24, 48, 120 or 240 volt LED lamps

Lens Guard comes with standard light-gray powder coat finish

Materials:

Enclosures: Copper-free Aluminum (less than 0.25% copper content)

Cover Bolts: Cad-Plated or Stainless Steel (please specify)

Mounting Pan (Opt.): Aluminum*;

Galvanized Steel or Phenolic Materials available upon request.

*Note: Aluminum Mounting Pan will be provided if mounting pan is requested, unless otherwise noted.

Compliances:

N.E.C. - Class. I, Div. 1 & 2 Groups C & D

Class. II, Div. 1 & 2 Groups E, F & G

Class. III

NEMA 7 & 9 (Optional 3, 4X)



Certificate
Number
03.059.1

**ISO
9001 With Design**

Approvals:

UL CLASSIFIED - Standard 1203 - E139669

CSA Certified - Standard C22.2 No. LR86146



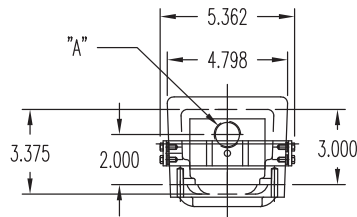
Explosion-Proof Control Stations "CXI" Series / Pendant Stations

Dimensional Outline (In.)

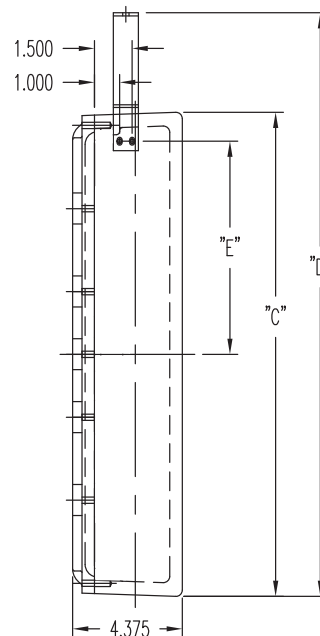
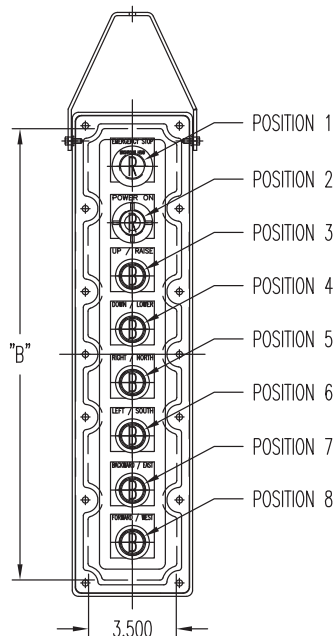
Catalog No.	A	B	C	D	E	Operator Pos.
CXI373-E1-E8-N4-N5	3/4	7	8.308	12.28	3	1, 3, 4
CXI393-E1-E8-N4-N5	3/4	9	10.31	14.28	4	1, 2, 3, 4
CXI3113-E1-E8-N4-N5	1	11	12.31	16.28	5	1, 3, 4, 5, 6
CXI3133-E1-E8-N4-N5	1	13	14.31	18.28	6	1, 2, 3, 4, 5, 6
CXI3153-E1-E8-N4-N5	1	15	16.31	20.28	7	1, 3, 4, 5, 6, 7, 8
CXI3183-E1-E8-N4-N5	1	18	19.31	23.28	8.5	1, 2, 3, 4, 5, 6, 7, 8

Note: All dimensions are for reference only; Note: E1 - Corrosion-Resistant Epoxy Coating specify when required

Position	Legend Plate	Description	Contact Block
1	E-Stop -OR- OFF-ON	Mushroom Head P.B.	1 NCLB
2	POWER ON	2 Pos. Keyed Switch	1 NO / 1 NC
3	UP or RAISE	Red Pilot Light	120 V Red Std. Barrel
4	DOWN or LOWER	Black Push Button	1 NO / 1 NOEM
5	RIGHT or NORTH	Black Push Button	1 NO / 1 NOEM
6	LEFT or SOUTH	Black Push Button	1 NO / 1 NOEM
7	BACKWARD or EAST	Black Push Button	1 NO / 1 NOEM
8	FORWARD or WEST	Black Push Button	1 NO / 1 NOEM



Note: For custom Pendant Stations please see CXI Custom Ordering Information (pg. 69)



X P C O N T R O L S T A T I O N S

Explosion-Proof Instrument Enclosures "XJIH" Series

"Try our XJIH Series which comes with solid or viewing window dome covers."

Features:

All enclosures are NEMA 4X with neoprene gasket for water tight applications.

Light weight corrosion resistant copper-free aluminum construction with an attractive wheelabraste finish

Internal ground screw standard

Optional Mounting Straps available (Flat, Raised or Diamond Shape)

Extra large throat opening: 3-1/2" or 4" diameter; Large viewing lens cover: 2-5/8" or 3" diameter

Internal Mounting Boss for instrumentation installation, Din Rail, etc.

Slotted groove for easy removal and tightening of cover

3/4" offset feed through hubs offer maximum interior space and greater working area

E1 / E2 - Corrosion-Proof Epoxy Coating available upon request

Raised "donut" mounting surface with increased surface area for drilling and tapping

Third Hub available for 1/2" or 3/4" NPT Conduit Entry

Materials:

Enclosures: Copper-free Aluminum (less than 0.25% copper content)

Third Hub Tapping:

A Third Hub can be drilled and tapped in the Instrument Housings. This is an **optional adder** for the Instrument Housing Line and the size of NPT holes that can be drilled and tapped include 1/2" NPT or 3/4" NPT (Please Specify).

ATEX Certification: (Optional)

If ATEX Certification is required, please specify.

Add "-CEN" to Part Number to designate ATEX. (Optional)

Certain features are added to the XJIH Instrument Housing Line if ATEX Certification is required:

- External Ground Screw
- External Set Screw



**MSD - Diamond Mounting Strap
(Flat and Raised also available)**



Approvals:

UL CLASSIFIED - Standard 1203, File No. E139669

CSA Certified (Canada) - Standard C22.2-30M1984

FM Class No. 3615

ATEX - Ex II 2 G EEx d IIC

Compliances:

N.E.C. - Class. I, Div. 1 & 2 Groups B, C & D

Class. II, Div. 1 & 2 Groups E, F & G

Class. III

NEMA 7 & 9 (Optional 3, 4X)



ATEX (Optional)

II 2 G Ex d IIC Ta = -20C to +60C, IP 66; FM09ATEX0073U

II 2 D Ex tD A21 IP66 Ta = -20C to +60C

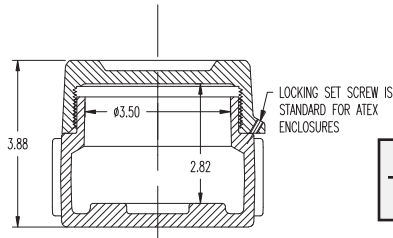
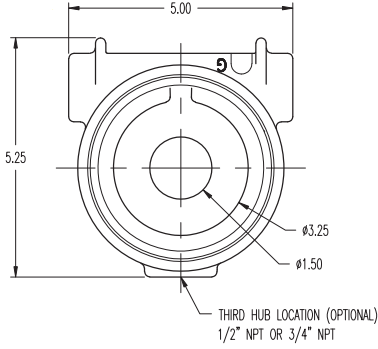
"U" Component Certification; EN 60079-0:2006, EN 60079-1:2007



Explosion-Proof Instrument Enclosures "XJIH" Series

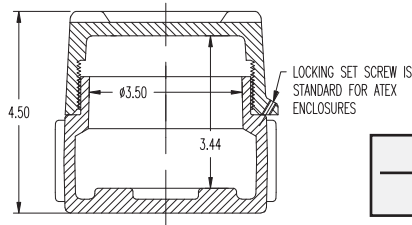
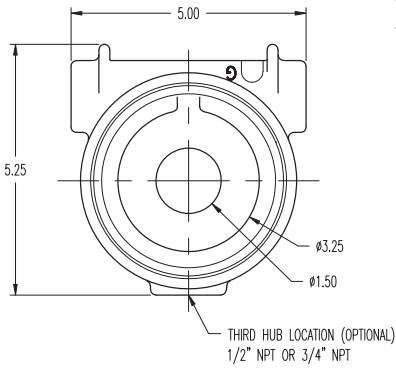
3-1/2" Diameter Opening

XJIHS05



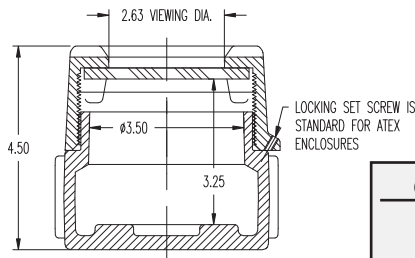
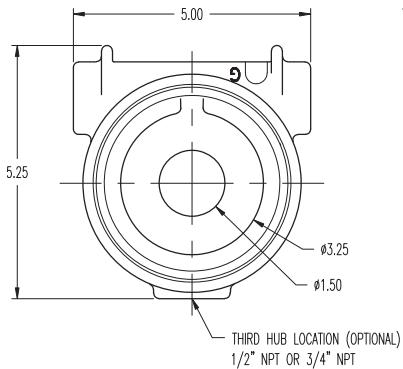
Catalog No.	Description
XJIHS05	Low-Profile Cover Solid

XJIHS1



Catalog No.	Description
XJIHS1	Standard Cover Solid

XJIHG1

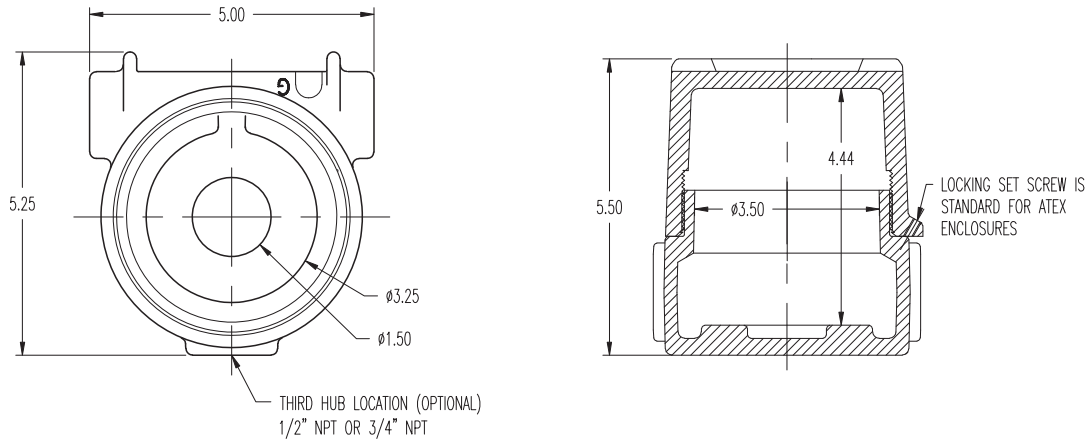


Catalog No.	Description
XJIHG1	Standard Cover with Viewing Window

Explosion-Proof Instrument Enclosures "XJIH" Series

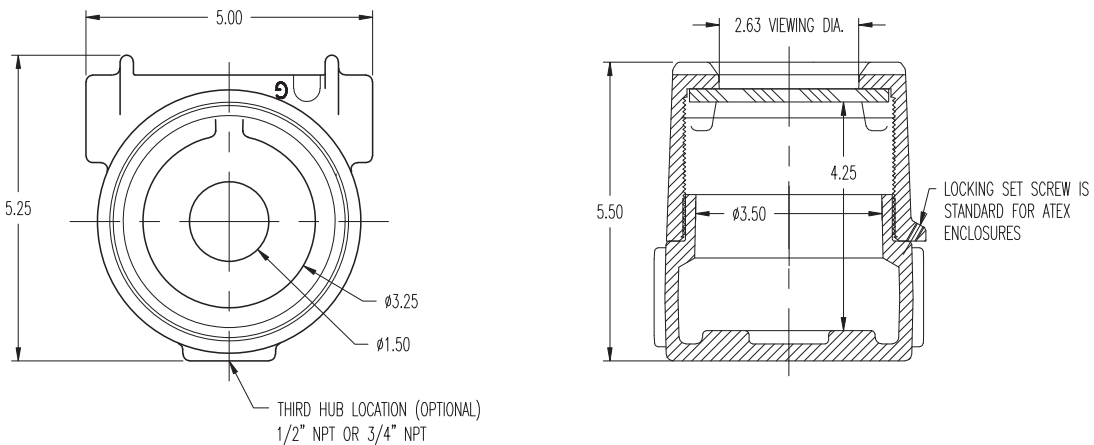
3-1/2" Diameter Opening

XJIHS15



Catalog No.	Description
XJIHS15	Deep Cover Solid

XJIHG15



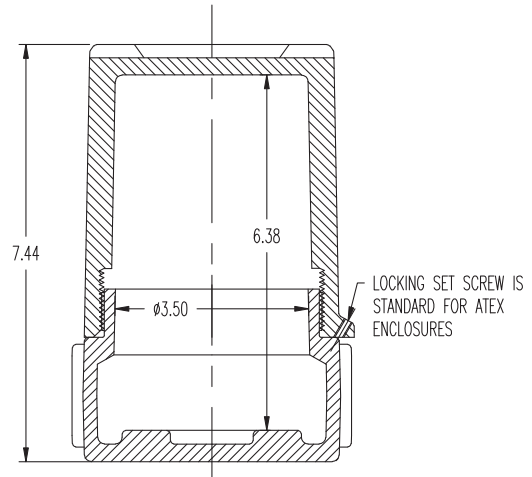
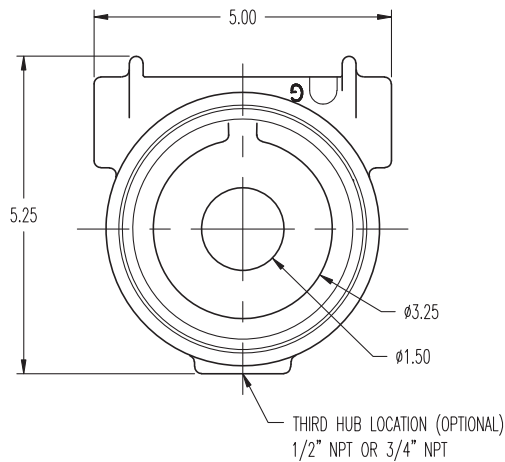
Catalog No.	Description
XJIHG15	Deep Cover with Viewing Window



Explosion-Proof Instrument Enclosures "XJIH" Series

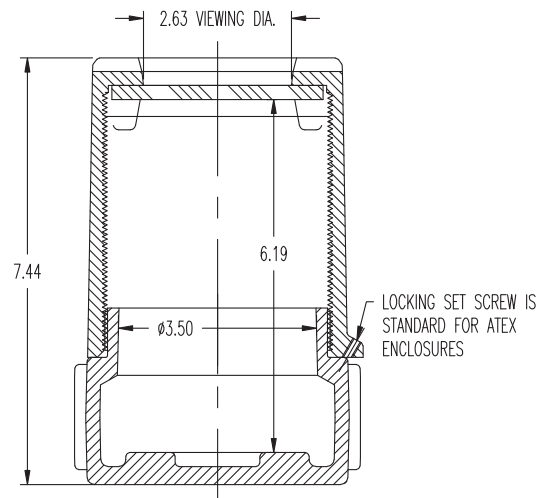
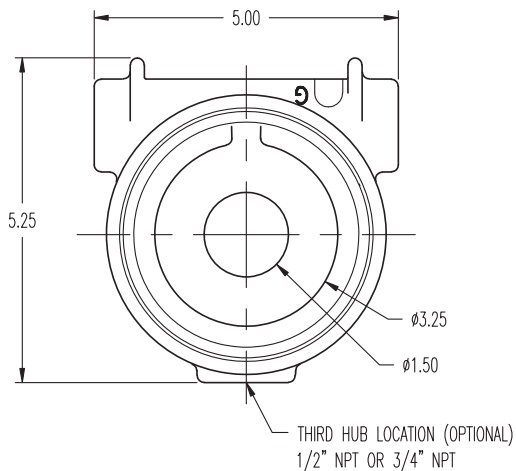
3-1/2" Diameter Opening

XJIHS2



Catalog No.	Description
XJIHS2	Deep Cover Solid

XJIHG2

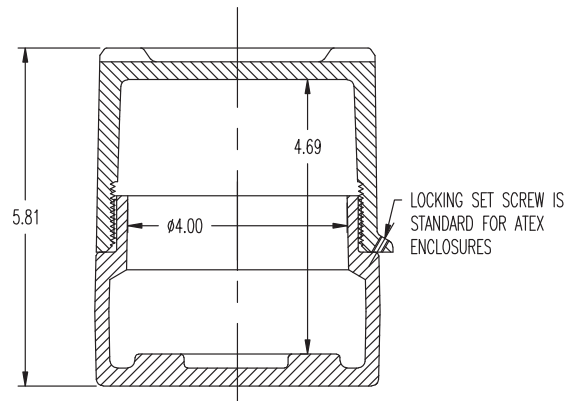
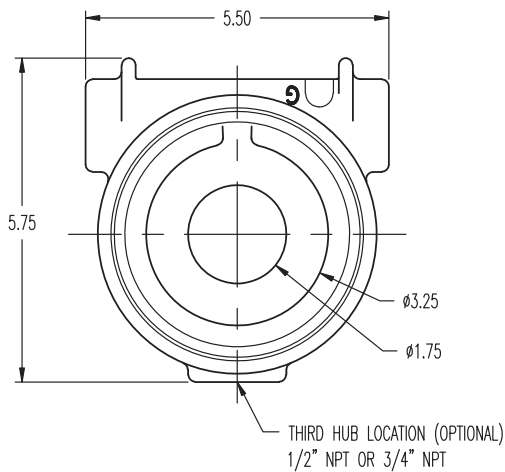


Catalog No.	Description
XJIHG2	Deep Cover with Viewing Window

Explosion-Proof Instrument Enclosures "XJIH" Series

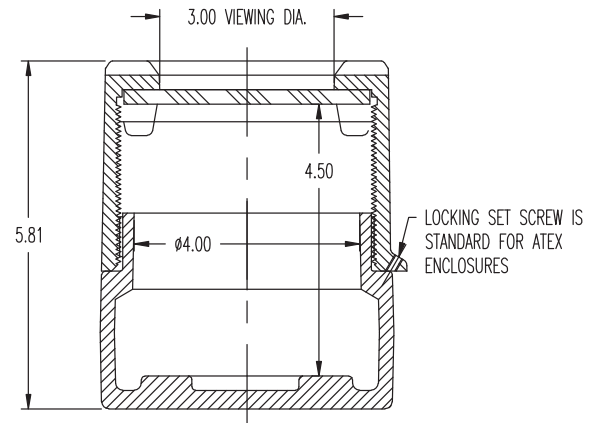
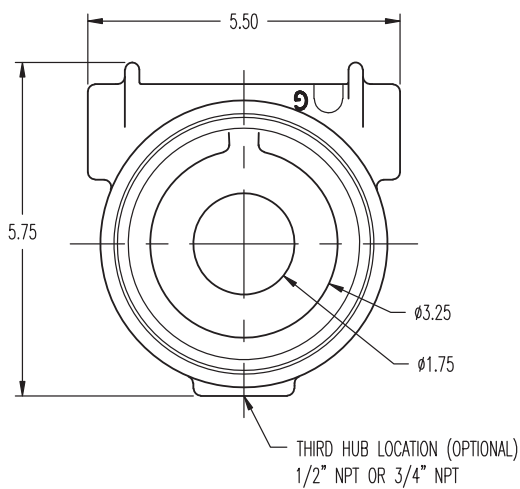
4" Diameter Opening

XJIHS4



Catalog No.	Description
XJIHS4	Standard Cover Solid

XJIHG4



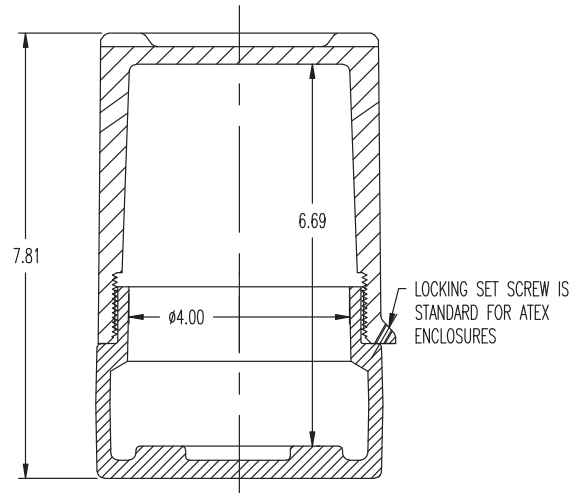
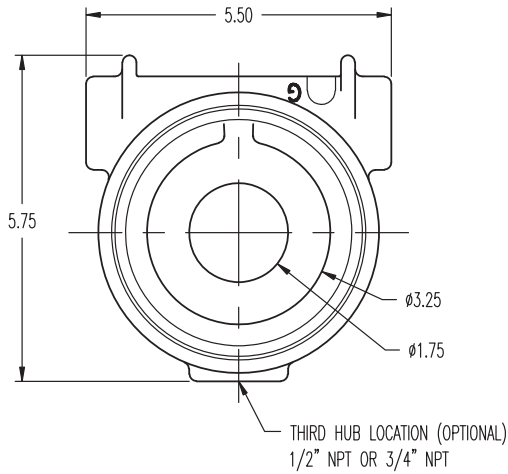
Catalog No.	Description
XJIHG4	Std. Cover with Viewing Window



Explosion-Proof Instrument Enclosures "XJIH" Series

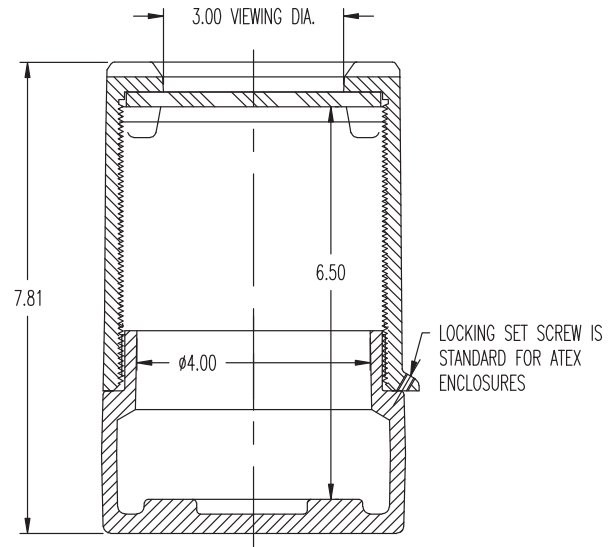
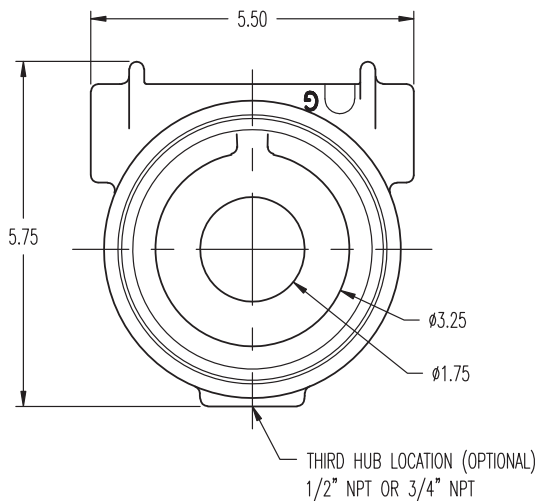
4" Diameter Opening

XJIHS5



Catalog No.	Description
XJIHS5	Deep Cover Solid

XJIHG5



Catalog No.	Description
XJIHG5	Deep Cover with Viewing Window

Explosion-Proof Instrument Enclosures “XJIHD” Series

“Try our XJIHD - Dual Sided Instrument Housing Series for special projects and applications.”



Applications:

Engineered as a two-compartment enclosure to segregate instrument and control components

ATEX Certification: (Optional)

If ATEX Certification is required, please specify.

Add “-CEN” to Part Number to designate ATEX. (Optional)

Certain features are added to the XJIH Instrument Housing Line if ATEX Certification is required:

- External Ground Screw
- External Set Screw

Features:

All enclosures are NEMA 4X with neoprene gasket for water tight applications.

Light weight corrosion resistant copper-free aluminum construction with an attractive wheelabraste finish

Internal ground screw standard

Extra large throat opening: 3-1/2” or 4” diameter

Slotted groove for easy removal and tightening of cover

(2) 3/4” NPT Conduit Entries standard

Large volume of internal space for instrument or control requirements

1/2” thick barrier wall with drilling and tapping capability for pass through holes*

E1 / E2 - Corrosion-Proof Epoxy Coating available upon request

Specify 1/2” to 3/4” NPT Reducer Bushings, if required

* - UL / CSA version only

Materials:

Enclosures: Copper-free Aluminum (less than 0.25% copper content)



Certificate
Number
03.059.1

ISO
9001 With Design

Approvals:

UL CLASSIFIED - Standard 1203; File E139669

CSA Certified (Canada) - Standard C22.2-30 No.30-M1984

FM Class No. 3615

ATEX - Standards EN 50014-50018

Compliances:

N.E.C. - Class. I, Div. 1 & 2 Groups B, C & D

Class. II, Div. 1 & 2 Groups E, F & G

Class. III

NEMA 7 & 9 (Optional 3, 4X)



ATEX (Optional)

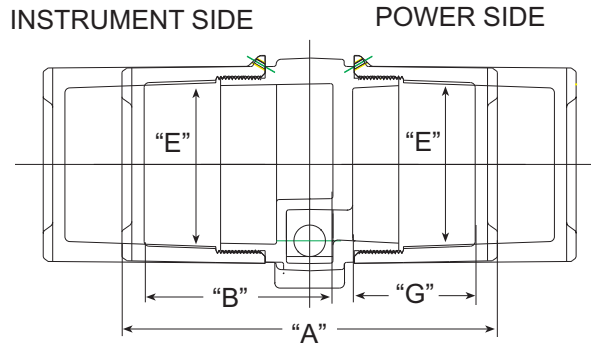
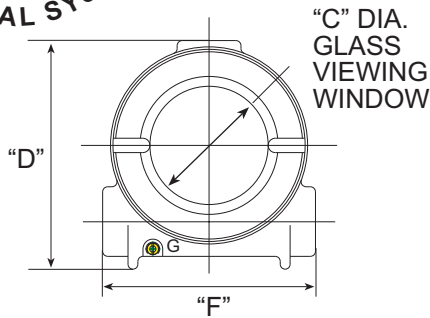
II 2 G Ex d IIC Ta = -20C to +60C, IP 66; FM09ATEX0073U

II 2 D Ex tD A21 IP66 Ta = -20C to +60C

“U” Component Certification; EN 60079-0:2006, EN 60079-1:2007



Explosion-Proof Instrument Enclosures "XJIHD" Series



INSTRUMENT SIDE

CATALOG NUMBER	DESCRIPTION	A	B	C	D	E	F	G	INST. SIDE FREE VOLUME CUBIC INCHES
XJIHDS05	SPECIAL COVER SOLID	6-1/4	3-3/8	---	5-1/4	3-1/2	4-7/8	1-13/16	21
XJIHDS1	STD. COVER SOLID	6-7/8	3-3/8	---	5-1/4	3-1/2	4-7/8	1-13/16	27
XJIHDS15	SPECIAL COV. SOLID	7-13/16	4-3/8	---	5-1/4	3-1/2	4-7/8	1-13/16	37
XJIHDS2	DEEP COVER SOLID	9-3/4	6-5/16	---	5-1/4	3-1/2	4-7/8	1-13/16	56
XJIHDG1	STD. COV. W/ Viewing Window	6-7/8	3-3/16	2-5/8	5-1/4	3-1/2	4-7/8	1-13/16	26
XJIHDG15	SPECIAL COV. W/Viewing Window	7-13/16	4-3/16	2-5/8	5-1/4	3-1/2	4-7/8	1-13/16	35
XJIHDG2	DEEP COV. W/Viewing Window	9-3/4	6-1/8	2-5/8	5-1/4	3-1/2	4-7/8	1-13/16	54
XJIHDS4	STD. COVER SOLID	9-1/2	4-3/4	---	5-3/4	4	5-1/2	3	52
XJIHDS5	DEEP COVER SOLID	11-1/2	6-3/4	---	5-3/4	4	5-1/2	3	77
XJIHDG4	STD. COVER W/Viewing Window	9-1/2	4-9/16	3	5-3/4	4	5-1/2	3	49
XJIHDG5	DEEP COVER W/Viewing Window	11-1/2	6-9/16	3	5-3/4	4	5-1/2	3	75

3-1/2" OPTIONAL COVER - POWER SIDE

SUFFIX	DESCRIPTION	DIM. "G"	FREE VOL. CUBIC INCHES
STD.	FLAT SOLID	1-13/16	18
"A"	INT. DOME SOLID	2-13/16	27
"B"	DOME SOLID	4-3/4	46
"C"	FLAT GLASS	1-5/8	16
"D"	INT. DOME GLASS	2-5/8	26
"E"	DOME GLASS	4-9/16	44
"F"	SHORT SOLID	1-1/8	12

4" OPTIONAL COVER - POWER SIDE

SUFFIX	DESCRIPTION	DIM. "G"	FREE VOL. CUBIC INCHES
STD.	FLAT SOLID	3	39
"A"	DOME SOLID	5-1/16	64
"B"	FLAT GLASS	2-13/16	37
"C"	DOME GLASS	4-7/8	62

Third Conduit Location

Third Location can be drilled for Sensors, Probes, or Conduit entry

- 1/2" OR 3/4" NPT
- 1/2" OR 3/4" NPSM
- 20MM OR 25MM (ATEX only)

Barrier Wall

Internal Wall can be drilled and tapped for mounting holes to accommodate:

- 2 to 12 point power side terminal strip with sealed pass-through to instrument
- RS-232 mountings to similar device mountings
- Pass through holes
- Consult Factory for special machining of barrier wall

SAMPLE PART NUMBER:

XJIHDS2 (DEEP SOLID COVER) - Instrument Side

AND

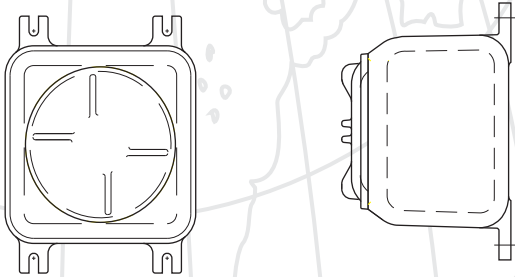
"E" (DOME GLASS POWER SIDE COVER) =

CATALOG NUMBER - XJIHDS2-E

Explosion-Proof Threaded Cover / Metering Control Station "XJCTS / XJCTG" Series

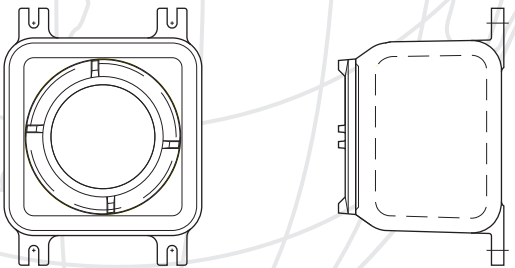
XJCTS

Solid-Cover Instrument Housing



XJCTG

Viewing-Glass Cover Metering Enclosure



"The XJCT Series Instrument Housing / Metering Enclosure comes standard with an easy access solid or glass NEMA 4X screw top cover"

Features:

Threaded opening design provides easy access to components and quick removal of cover

Integral cast mounting feet

All enclosures suitable for drilling and tapping

Cast from copper - free aluminum - max. 0.25% copper content

Stainless steel shot blast finish

Available with solid or glass covers

NEMA 4X "O-Ring" standard with all threaded enclosures

Mounting Pan: Aluminum; Galvanized Steel or Phenolic Materials available upon request



Certificate Number 03.059.1

ISO 9001 With Design

Approvals:

UL CLASSIFIED - Standard 886

CSA Certified (Canada) - Standard C22.2 No. 30-M1986 & No. 25-1966

Compliances:

N.E.C. - Class. I, Div. 1 & 2, Groups B, C & D

Class. II, Div. 1 & 2, Groups E, F & G

Class. III, Enclosure 4X

NEMA 3, 4X, 7 & 9

ATEX Certification: (Optional)



II 2 G Ex d IIC Ta = -20C to +60C, IP 66; FM09ATEX0073U

II 2 D Ex tD A21 IP66 Ta = -20C to +60C

"U" Component Certification; EN 60079-0:2006, EN 60079-1:2007

If ATEX Certification is required, please specify.

Add "-CEN" to Part Number to designate ATEX. (Optional)



Explosion-Proof Control Station "XJCTS" Threaded Solid Cover Series

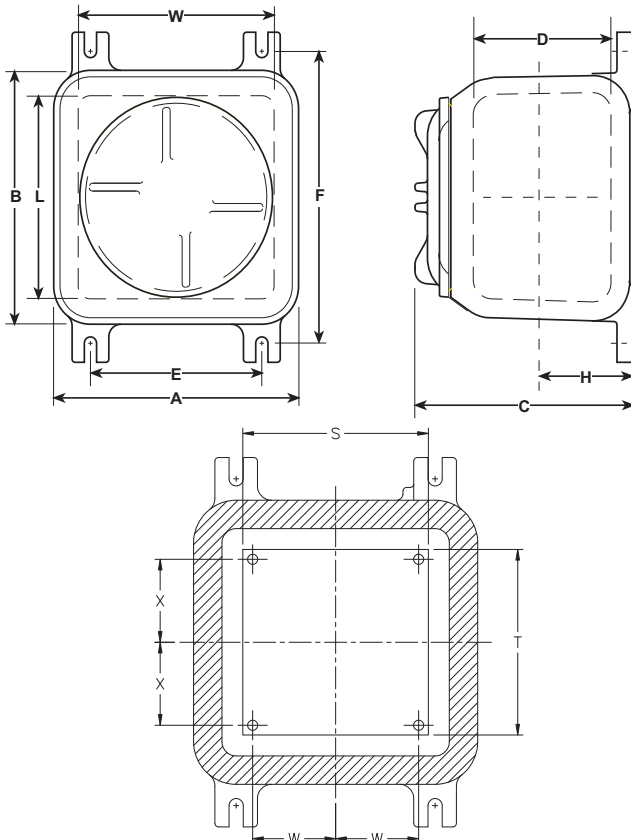
Catalog Number	Inside Dimensions (Inches)			Throat Opening	Outside Dimensions (Inches)			Mounting (Inches)		Conduit NPT		Weight (Lbs.) Est.
	W	L	D		A	B	C	E	F	Max Size	Standard LOC "H"	
# XJCTS0*	3-3/4	3-3/4	2-11/16	4	4-3/4	4-3/4	5-1/2	3-3/4	5-5/8	1-1/4	1-7/8	5
# XJCTS1	5	5	3-1/8	4-3/4	6	6	6	4	7	2	2-3/16	9
# XJCTS2	6	6	4-1/8	5-3/4	7-1/4	7-1/4	7	5	8-1/2	2	2-13/16	12
# XJCTS3	6-1/2	6	4-1/2	5-3/4	7-3/4	7-1/4	7-3/8	6	8-3/4	2	3	13
# XJCTS4	7	7	6-1/8	5-3/4	8-1/4	8-1/4	9	5-1/2	9-1/2	2	3-13/16	20
XJCTS5	8	8	4-1/8	7-1/8	9-1/2	9-1/2	7-3/8	7	11-1/2	2	2-15/16	26
XJCTS6	8	8	6-1/8	7-1/8	9-1/2	9-1/2	9-3/8	7	11-1/2	2	3-15/16	29
XJCTS7	8	10	6-1/8	7-1/8	9-1/2	11-1/2	9-3/8	6-3/4	13-1/2	2	3-15/16	36
XJCTS8	10	10	6-1/8	9-1/8	11-3/4	11-3/4	9-3/4	8-1/2	13-1/2	3	4-1/16	45
XJCTS9	10	10	8-1/8	9-1/8	11-3/4	11-3/4	11-3/4	8-1/2	13-1/2	3	5-1/16	51
XJCTS10	12	11	7-1/2	10-1/8	13-3/4	12-3/4	11-1/4	10-3/4	14-1/2	3	4-3/4	55
XJCTS11	12	12	6-1/8	9-1/8	13-3/4	13-3/4	9-3/4	10-1/2	15-1/2	3	4-1/16	54
# XJCTS12	6	5-1/2	4-1/8	5-3/4	7	6-1/2	6-7/8	5-3/4	7-1/2	2	2-13/16	12
# XJCTS14	9	7	4-5/32	7-1/8	10-1/2	8-3/8	7-3/8	8-1/2	9-3/4	2	2-15/16	33

Two diagonally positioned mounting feet are standard with enclosures XJCTS0, 1, 2, 3, 4, 12 & 14

* ATEX Only

Note: All dimensions are for reference only

Consult Factory for custom machining requirements



Mounting Pans (XJCTS/G/D Series)

XJCTS / G / D Number	Mounting Pan Dimension		Mounting Boss Dimension	
	S	T	W	X
XJCTS1	3-3/4	3-3/4	1.563	1.563
XJCTS2	4-3/4	4-3/4	2.063	2.063
XJCTS3	4-3/4	4-3/4	2.063	2.063
XJCTS4	5-1/2	5-1/2	2.438	2.438
XJCTS5	6-1/2	6-1/2	2.938	2.938
XJCTS6	6-1/2	6-1/2	2.938	2.938
XJCTS7	6-1/2	8	2.938	3.688
XJCTS8	8	8	3.688	3.688
XJCTS9	8-1/2	8-1/2	3.938	3.938
XJCTS10	8-1/2	8-1/2	3.938	3.938
XJCTS11	8-1/2	8-1/2	3.938	3.938
XJCTS12	4-3/4	4-3/4	2.063	2.063
XJCTS14	7	5-1/2	2.938	2.063

Explosion-Proof Metering Control Station "XJCTG" Threaded Glass Cover Series

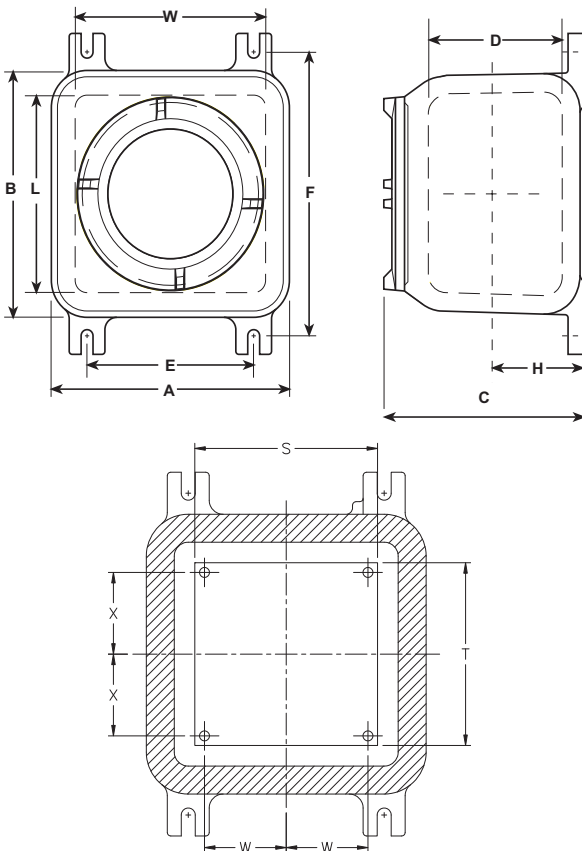
Catalog Number	Inside Dimensions (Inches)			Throat size	Viewing Glass Area	Outside Dimensions (Inches)			Mounting (Inches)		Conduit NPT		Weight (Lbs.) Est.
	W	L	D			A	B	C	E	F	Max Size	Standard LOC "H"	
# XJCTG0*	3-3/4	3-3/4	2-11/16	4	2-3/4	4-3/4	4-3/4	5-1/2	3-3/4	5-5/8	1-1/4	1-7/8	5
# XJCTG1	5	5	3-1/8	4-3/4	3	6	6	6	4	7	2	2-3/16	9
# XJCTG2	6	6	4-1/8	5-3/4	4	7-1/4	7-1/4	7	5	8-1/2	2	2-13/16	12
# XJCTG3	6-1/2	6	4-1/2	5-3/4	4	7-3/4	7-1/4	7	6	8-3/4	2	3	13
# XJCTG4	7	7	6-1/8	5-3/4	4	8-1/4	8-1/4	9	5-1/2	9-1/2	2	3-13/16	20
XJCTG5	8	8	4-1/8	7-1/8	5-1/4	9-1/2	9-1/2	7-3/8	7	11-1/2	2	2-15/16	26
XJCTG6	8	8	6-1/8	7-1/8	5-1/4	9-1/2	9-1/2	9-3/8	7	11-1/2	2	3-15/16	29
XJCTG7	8	10	6-1/8	7-1/8	5-1/4	9-1/2	11-1/2	9-3/8	6-3/4	13-1/2	2	3-15/16	36
XJCTG8	10	10	6-1/8	9-1/8	6-3/4	11-3/4	11-3/4	9-3/4	8-1/2	13-1/2	3	4-1/16	45
XJCTG9	10	10	8-1/8	9-1/8	6-3/4	11-3/4	11-3/4	11-3/4	8-1/2	13-1/2	3	5-1/16	51
XJCTG10	12	11	7-1/2	10-1/8	7-5/8	13-3/4	12-3/4	11-1/4	10-3/4	14-1/2	3	4-3/4	55
XJCTG11	12	12	6-1/8	9-1/8	6-3/4	13-3/4	13-3/4	9-3/4	10-1/2	15-1/2	3	4-1/16	54
# XJCTG12	6	5-1/2	4-1/8	5-3/4	4	7	6-1/2	6-7/8	5-3/4	7-1/2	2	2-13/16	12
# XJCTG14	9	7	4-5/32	7-1/8	5-1/4	10-1/2	8-3/8	7-3/8	8-1/2	9-3/4	2	2-15/16	33

Two diagonally positioned mounting feet are standard with enclosures XJATG0, 1, 2, 3, 4, 12 & 14

* ATEX Only

Note: All dimensions are for reference only

Consult Factory for custom machining requirements



Mounting Pans (XJCTS/G/D Series)

XJCTS / G / D Number	Mounting Pan Dimension		Mounting Boss Dimension	
	S	T	W	X
XJCTG1	3-3/4	3-3/4	1.563	1.563
XJCTG2	4-3/4	4-3/4	2.063	2.063
XJCTG3	4-3/4	4-3/4	2.063	2.063
XJCTG4	5-1/2	5-1/2	2.438	2.438
XJCTG5	6-1/2	6-1/2	2.938	2.938
XJCTG6	6-1/2	6-1/2	2.938	2.938
XJCTG7	6-1/2	8	2.938	3.688
XJCTG8	8	8	3.688	3.688
XJCTG9	8-1/2	8-1/2	3.938	3.938
XJCTG10	8-1/2	8-1/2	3.938	3.938
XJCTG11	8-1/2	8-1/2	3.938	3.938
XJCTG12	4-3/4	4-3/4	2.063	2.063
XJCTG14	7	5-1/2	2.938	2.063



Explosion-Proof Control Station “XJCTD” Threaded Dome Cover Series

“Increase the interior working depth capacity with one of our dome type covers.”

Features:

- Threaded opening design provides easy access to components
- All enclosures are NEMA 4X with neoprene gasket for water tight applications
- All enclosures are suitable for field drilling and tapping
- Light weight corrosion resistant copper-free aluminum construction
- Attractive wheelabraste finish
- Increased working depth inside enclosures ranging from 4” to 20”
- Available with flat mounting pan or optional L-shaped bracket
- Optional viewing window on top of dome for high visibility of instruments in dome

Ordering Instructions:

When ordering an enclosure with a window in the cover, add the window suffix to the end of the part number (XJCT2D4G2 includes a 2” diameter (G2) round window in the cover).

To order standard mounting pan, add “-N1” to part number (XJCT2D4-N1).

See XJCTS/G chart for standard mounting pan dimensions
Consult factory for custom or L-shaped brackets.



Certificate Number 03.059.1

ISO 9001 With Design

Approvals:

UL CLASSIFIED - Standard 1203 - E139669

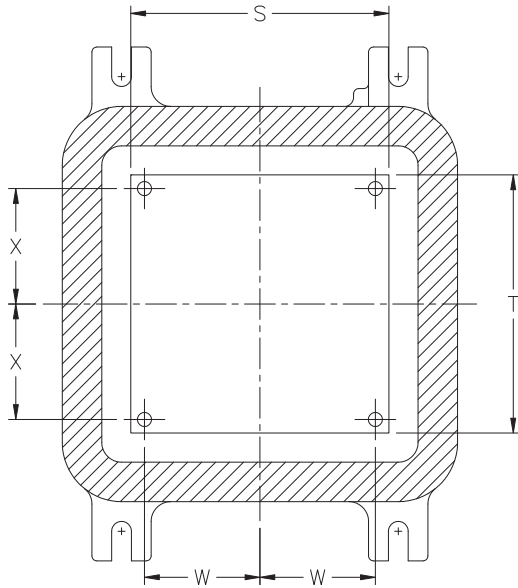
Compliances:

- N.E.C. - Class. I, Div. 1 & 2 Groups B, C & D
- Class. II, Div. 1 & 2 Groups E, F & G
- Class. III
- NEMA 3, 4X, 7 & 9



X
P
C
O
N
T
R
O
L
S
T
A
T
I
O
N
S

Explosion-Proof Control Station “XJCTD” Threaded Dome Cover Series

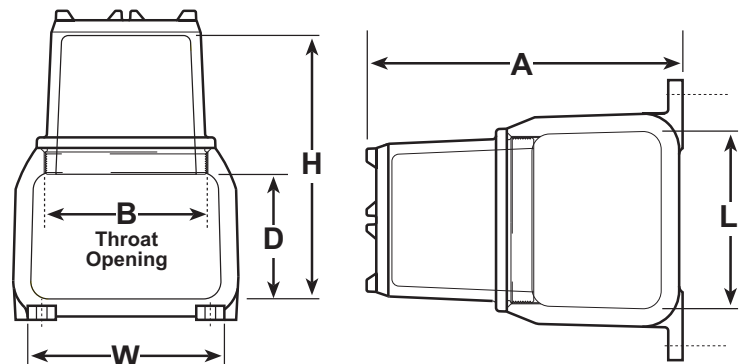


Dimensions

Catalog Number	Dimensions In Inches						Max. Window Size
	W	L	D	A	B	H	
XJCT2D4	6	6	4	10-5/8	5-3/4	9	2
XJCT2D8	6	6	4	14-5/8	5-3/4	13	2
XJCT2D12	6	6	4	18-5/8	5-3/4	17	2
XJCT3D4	6-1/2	6	4-1/2	11	5-3/4	9-3/8	2
XJCT3D8	6-1/2	6	4-1/2	15	5-3/4	13-3/8	2
XJCT3D12	6-1/2	6	4-1/2	19	5-3/4	17-3/8	2
XJCT4D4	7	7	6	12-5/8	5-3/4	11	2
XJCT4D8	7	7	6	16-5/8	5-3/4	15	2
XJCT4D12	7	7	6	20-5/8	5-3/4	19	2
XJCT5D4	8	8	4	10-15/16	7-1/8	9-1/8	3
XJCT5D12	8	8	4	18-15/16	7-1/8	17-1/8	3
XJCT5D20	8	8	4	26-15/16	7-1/8	25-1/8	3
XJCT6D4	8	8	6	12-15/16	7-1/8	11-1/8	3
XJCT6D12	8	8	6	20-15/16	7-1/8	19-1/8	3
XJCT6D20	8	8	6	28-15/16	7-1/8	27-1/8	3
XJCT7D4	8	10	6	12-15/16	7-1/8	11-1/8	3
XJCT7D12	8	10	6	20-15/16	7-1/8	19-1/8	3
XJCT7D20	8	10	6	28-15/16	7-1/8	27-1/8	3
XJCT8D6	10	10	6	15-1/4	9-1/8	13-1/4	5-1/4
XJCT8D12	10	10	6	21-5/16	9-1/8	19-1/4	5-1/4
XJCT8D20	10	10	6	29-3/8	9-1/8	27-1/4	5-1/4
XJCT9D6	10	10	8	17-1/4	9-1/8	15-1/4	5-1/4
XJCT9D12	10	10	8	23-5/16	9-1/8	21-1/4	5-1/4
XJCT9D20	10	10	8	31-3/8	9-1/8	29-1/4	5-1/4
XJCT11D6	12	12	6	15-1/4	9-1/8	13-1/4	5-1/4
XJCT11D12	12	12	6	21-5/16	9-1/8	19-1/4	5-1/4
XJCT11D20	12	12	6	29-3/8	9-1/8	27-1/4	5-1/4
XJCT12D4	6	5-1/2	4	10-5/8	5-3/4	9	2
XJCT12D8	6	5-1/2	4	14-5/8	5-3/4	13	2
XJCT12D12	6	5-1/2	4	18-5/8	5-3/4	17	2
XJCT14D4	7	9	4-5/32	10-15/16	7-1/8	9-1/4	3
XJCT14D12	7	9	4-5/32	18-15/16	7-1/8	17-1/4	3
XJCT14D20	7	9	4-5/32	26-15/16	7-1/8	25-1/4	3

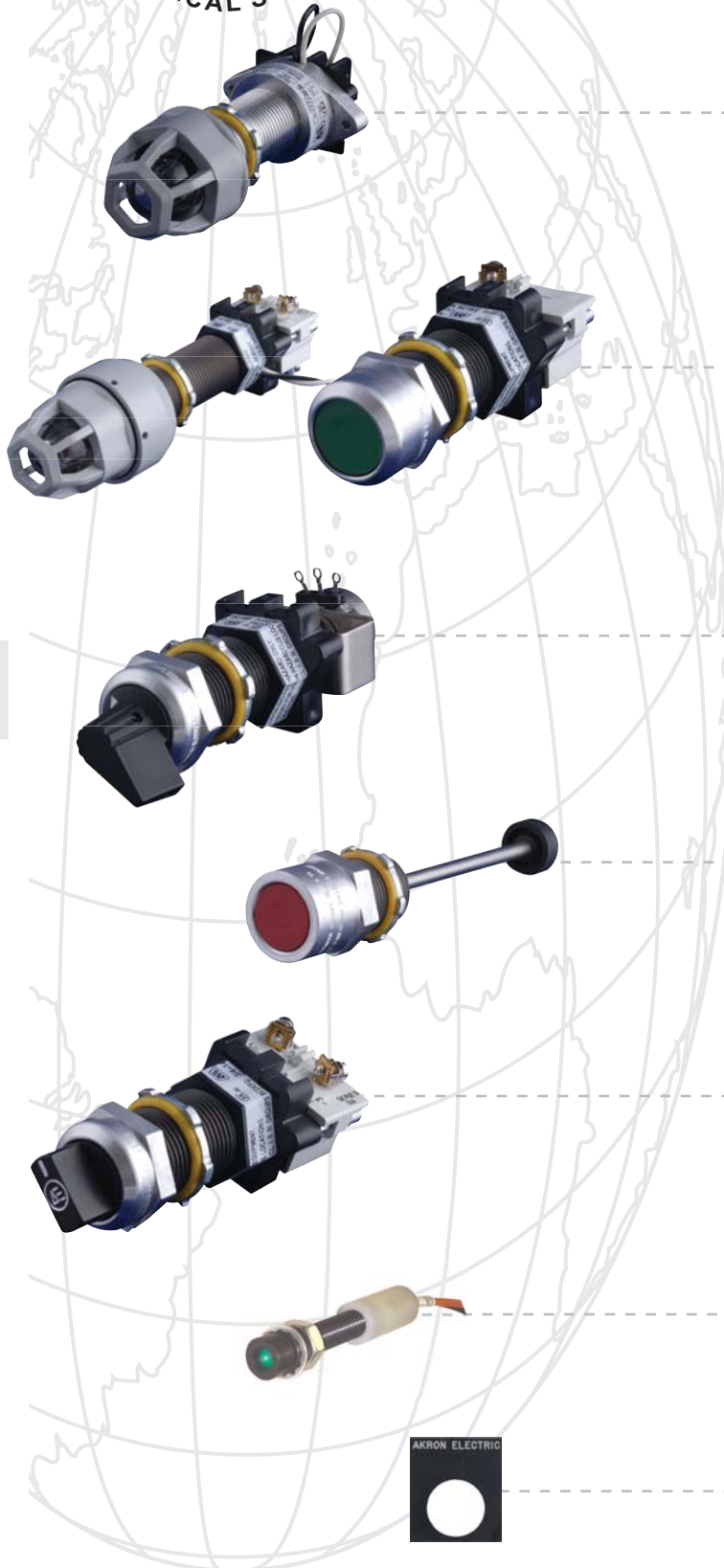
Mounting Pans (XJCTS/G/D Series)

XJCTS / G / D Number	Mounting Pan Dimension		Mounting Boss Dimension	
	S	T	W	X
XJCT2	4-3/4	4-3/4	2.063	2.063
XJCT3	4-3/4	4-3/4	2.063	2.063
XJCT4	5-1/2	5-1/2	2.438	2.438
XJCT5	6-1/2	6-1/2	2.938	2.938
XJCT6	6-1/2	6-1/2	2.938	2.938
XJCT7	6-1/2	8	2.938	3.688
XJCT8	8	8	3.688	3.688
XJCT9	8-1/2	8-1/2	3.938	3.938
XJCT10	8-1/2	8-1/2	3.938	3.938
XJCT11	8-1/2	8-1/2	3.938	3.938
XJCT12	4-3/4	4-3/4	2.063	2.063
XJCT14	7	4-3/4	2.938	2.063





Explosion-Proof Pilot Devices



- **Pilot Lights.....pgs. 87-89**
XPLB Series
- **Push Buttons.....pgs. 90-99**
XPIB, XPB, XPPP, XPDB & XPPTT Series
- **Potentiometers.....pg. 100**
XPPM Series
- **Reset Push Buttons.....pg. 101**
XRB Series
- **Selector Switches.....pgs. 102-104**
XP2, XP3, XPK2 & XPK3 Series
- **XM Mini Pilot Devices..pgs. 105-112**
- **Legend Plates.....pg. 113**

Explosion-Proof Pilot Devices

Nema Type 4, 4X, 7 & 9



Pilot Lights

- Pigtail
- Saddle Clamp
- Transformer
- Illuminated P.B.
- Push-To-Test
- Mini

Push Buttons

- Flush
- Extended
- Dual
- Mushroom Head
- Mini
- Maintained

Potentiometers

- 1k, 2k, 5k & 10k Ohms

Reset Push Buttons

- Standard
- Mini

Selector Switches

- 2-Position
- 2-Position Keyed
- 3-Position
- 3-Position Keyed
- Mini - Consult Factory



Consult factory to confirm certifications for complete product line

Specifications / XM & XP Series North American

- -25°C to +40°C Ambient
- NEMA 4X
- 3/4-14 npsm thread - standard series (XP-type)
- 3/8-16 unc thread - mini series (XM type)

XM (Mini) & XP (-CEN) ATEX / IECEx Series

- Ex II 2 G Ex d IIB+H2 Gb;
- Ex II 2 D Ex tb IIIC Db IP66
- Ex d IIB+H2 Gb; Ex tb IIIC Db IP66
- -40°C to +87°C Ambient
- IP66 when installed in an IP66 rated enclosure
- DEMKO 15 ATEX 1481U / IECEx UL 15.0010U
- Directive 94/9/EC
- "U" Component Certification
- EN 60079-0:2012+A11:2013; EN 60079-1:2014
EN 60079-31:2014
- IEC 60079-0:2011; IEC 60079-1:2007-04
IEC 60079-1:2014-06; IEC 60079-31:2013
- Please add "-CEN" to designate ATEX/IECEx (Optional)



Explosion-Proof Pilot Devices

Nema Type 4, 4X, 7 & 9

Pilot Lights LED

Specifications



Pigtail-Type Pilot Light
XPLSB-120G



Saddle Clamp Type Pilot Light
XPLSB-TT120G



Transformer Type Pilot Light
XPLSB-T120G

XPL SB - TT 120 R F - FS (-CEN)

a b c d e f

ATEX / IECEx Optional

a = Barrel Type

Code	Description
SB	Short Barrel
LB	Long Barrel

Code	Description
Blank	Pigtail
T	Transformer Type
TT	Saddle Clamp/Terminal Type

c = Voltage

Standard Pilot Light Code	Description
12	12 Volts AC/DC
24	24 Volts AC/DC
48	48 Volts AC
120	120 Volts AC
240	240 Volts AC
Transformer Type Code	Description
9	240/120 Volts AC 50/60 Hz
120	120/12 Volts AC 50/60 Hz
240	240/12 Volts AC 50/60 Hz
380	380/12 Volts AC 50/60 Hz
440	440/12 Volts AC 50/60 Hz
480	480/12 Volts AC 50/60 Hz
600	600/12 Volts AC 50/60 Hz

d = LED Bulb Colors

Code	Color
A	AMBER
B	BLUE
G	GREEN
R	RED
W	WHITE

LED Replacement Bulbs

COLOR OF LED LAMP	VOLTAGE (VAC/DC)	REPLACEMENT P/N
AMBER	12	XPLB12A
BLUE	12	XPLB12B
GREEN	12	XPLB12G
RED	12	XPLB12R
WHITE	12	XPLB12W
AMBER	24	XPLB24A
BLUE	24	XPLB24B
GREEN	24	XPLB24G
RED	24	XPLB24R
WHITE	24	XPLB24W
AMBER	48	XPLB48A
BLUE	48	XPLB48B
GREEN	48	XPLB48G
RED	48	XPLB48R
WHITE	48	XPLB48W
AMBER	120	XPLB120A
BLUE	120	XPLB120B
GREEN	120	XPLB120G
RED	120	XPLB120R
WHITE	120	XPLB120W
AMBER	240	XPLB240A
BLUE	240	XPLB240B
GREEN	240	XPLB240G
RED	240	XPLB240R
WHITE	240	XPLB240W

e = Lamp Options

Code	Description
Blank	LED
F	Flashing

f = Accessory

Code	Description
-FS	Finger Safe on Terminal Type

N4= NEMA 4 locking collar is standard on all Akron Electric operators

3/4"-14 NPSM standard thread

X
P
&
X
M

Explosion-Proof Pilot Devices

Nema Type 4, 4X, 7 & 9

XP Pilot Light Operators Dimensional Data

Dimensions (Inches [mm])

Note: All dimensions are for reference only



LR86146

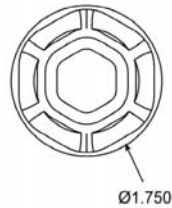


FILE NO. E203605

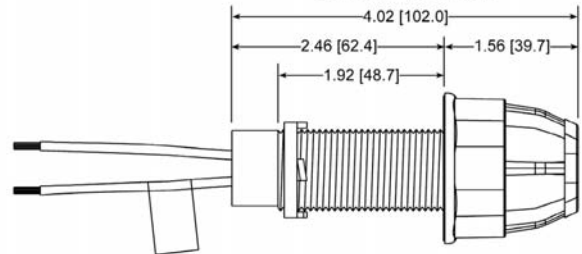


(Optional)

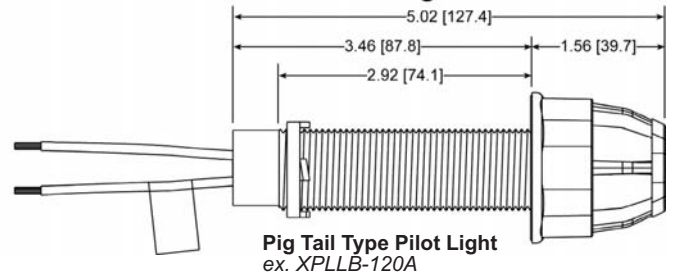
Lens Guard



Short Barrel



Long Barrel



CLASS I, Div 1 & 2, GROUPS B, C & D;
CLASS II, Div 1 & 2, GROUPS E, F & G;
CLASS III,
NEMA TYPE 4, 4X, 7 & 9

UL 698 Industrial Control Equipment in Hazardous (Classified) Locations.

UL 1203 Explosion-Proof and Dust-Ignition-Proof Electrical Equipment for Use in Hazardous (Classified) Locations.

CSA 22.2 No. 30-LR86146 Explosion-Proof Electrical Equipment for use in Hazardous Locations.

FEATURES

- XPL Transformer Series is equipped with bayonet base receptacles and 12 volt LED lamps
- 3/4-14 NPSM threaded body size.
- Explosion-Proof Pilot Lights are suitable for panel or surface mount applications.
- **Long Series:** Accommodates up to 2-1/2" thick enclosure wall thickness.
- **Short Series:** Accommodates up to 1-1/2" thick enclosure wall thickness.
- Standard 8" flexible leads for connection to contact blocks. (Consult Factory for custom lengths).
- Lens cap guard comes standard with a light gray powder coat finish.
- Standard sealed construction can be re-lamped from the front by removal of the lens guard. (Disconnect all power prior to performing this procedure).
- XP Pilot Light Series is equipped with bayonet receptacle bases and your choice of 12, 24, 48, 120 or 240 volt LED lamps.
- LED lamps have an operating life upwards of 100,000 hours @ 25 Deg. C ambient temperature. Specify voltage desired.
- Available light bulb colors are Red, White, Blue, Green and Amber.
- See Contact Block Information sheet for mounting and rating information.



Explosion-Proof Pilot Devices

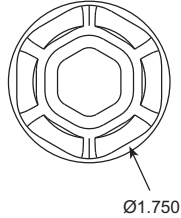
Nema Type 4, 4X, 7 & 9

XP Pilot Light Operators Dimensional Data

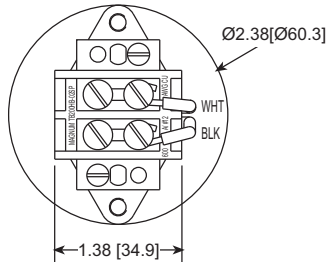
Dimensions (Inches [mm])

Note: All dimensions are for reference only

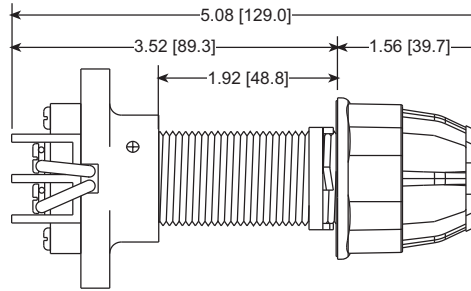
Lens Guard



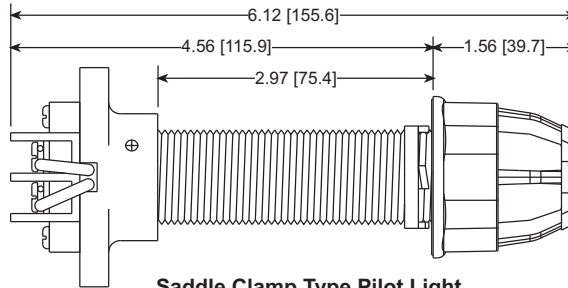
Saddle Clamp



Short Barrel

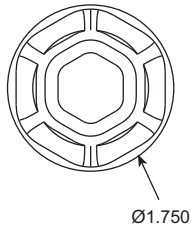


Long Barrel

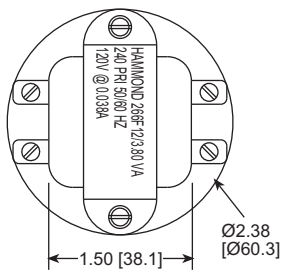


Saddle Clamp Type Pilot Light
ex. XPLL-B-TT120A

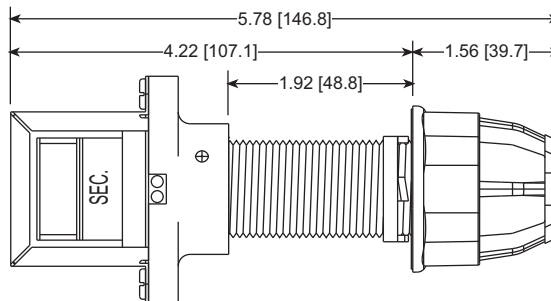
Lens Guard



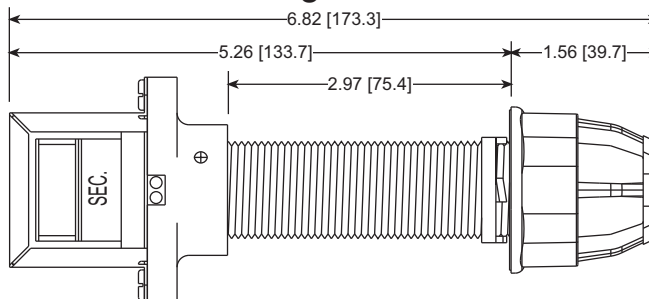
Transformer



Short Barrel



Long Barrel



Transformer Type Pilot Light
ex. XPLL-B-T120A

X
P
&
X
M

Explosion-Proof Pilot Devices

Nema Type 4, 4x, 7 & 9

Momentary Contact, Full Voltage Illuminated Pushbuttons



Illuminated Pushbutton
XPIBS-24RC

Specifications

XPIBS - **24** **R C** - **FS** (-CEN)
a b c d e ATEX / IECEx Optional

a = Barrel Type

Code	Description
S	Short Barrel
L	Long Barrel

b = Voltage

Code	Description
12	12 Volts
24	24 Volts
48	48 Volts
120	120 Volts
240	240 Volts

C = Lens Color

Code	Description
A	Amber
B	Blue
G	Green
R	Red
W	White

LED Replacement Bulbs

COLOR OF LED LAMP	VOLTAGE	REPLACEMENT P/N
AMBER	12 VAC/DC	XPLB12A
BLUE	12 VAC/DC	XPLB12B
GREEN	12 VAC/DC	XPLB12G
RED	12 VAC/DC	XPLB12R
WHITE	12 VAC/DC	XPLB12W
AMBER	24 VAC/DC	XPLB24A
BLUE	24 VAC/DC	XPLB24B
GREEN	24 VAC/DC	XPLB24G
RED	24 VAC/DC	XPLB24R
WHITE	24 VAC/DC	XPLB24W
AMBER	48 VAC	XPLB48A
BLUE	48 VAC	XPLB48B
GREEN	48 VAC	XPLB48G
RED	48 VAC	XPLB48R
WHITE	48 VAC	XPLB48W
AMBER	120 VAC	XPLB120A
BLUE	120 VAC	XPLB120B
GREEN	120 VAC	XPLB120G
RED	120 VAC	XPLB120R
WHITE	120 VAC	XPLB120W
AMBER	240 VAC	XPLB240A
BLUE	240 VAC	XPLB240B
GREEN	240 VAC	XPLB240G
RED	240 VAC	XPLB240R
WHITE	240 VAC	XPLB240W

d = Contact Blocks

Code	Description
Blank	No Contacts
A	1 N.O.
B	1 N.C.
2A	2 N.O.
2B	2 N.C.
C	1 N.O. / 1 N.C. #
*D	2 N.O. / 2 N.C.
E	1 N.C.L.B.
F	1 N.O.E.M.
2E	2 N.C.L.B.
2F	2 N.O.E.M.
*G	1 N.O. / 1 N.C.L.B.
*H	1 N.C. / 1 N.C.L.B.
*J	3 N.O. / 3 N.C.
*K	4 N.O. / 4 N.C.
L	N.O.E.M.-N.C.
M	N.O.E.M.-N.O.
N	N.C.L.B.-N.O.E.M.
P	2 N.O. / 2 N.C. (300V)

e = Accessories

Code	Description
-FS	Finger Safe Option

CONTACT ABBREVIATION

N.O. = Normally Open
 N.C. = Normally Closed
 N.C.L.B. = Normally Closed- Late Break
 N.O.E.M. = Normally Open- Early Make

All contact blocks are rated 600V unless noted.

N4= NEMA 4 locking collar is standard on all Akron Electric operators

3/4"-14 NPSM standard thread

Cutler Hammer standard contact blocks are used unless otherwise requested.

Pushbuttons can also be used with Allen Bradley or C3 Controls contact blocks. Consult factory to confirm requirements.

* Denotes multiple block configuration # 1 NO / 1 NC Contact Blocks unless otherwise specified



Explosion-Proof Pilot Devices

Nema Type 4, 4X, 7 & 9

XP Illuminated Push Button Operators Dimensional Data

Dimensions (Inches [mm])

Note: All dimensions are for reference only



LR86146



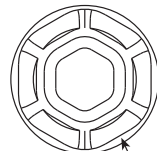
FILE NO. E203605

FILE NO. E139669



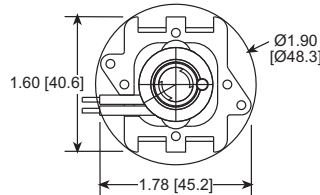
(Optional)

Lens Guard

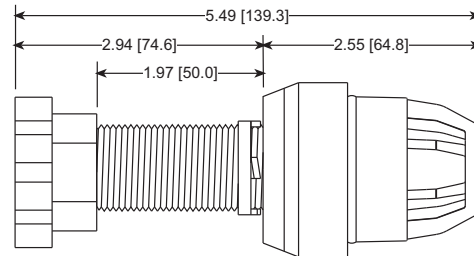


Ø1.750 [Ø44.5]

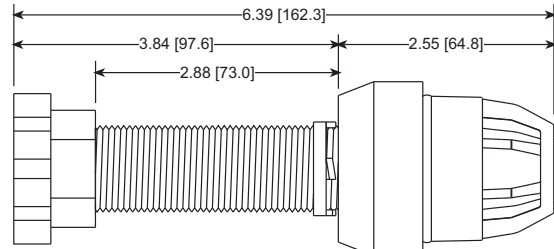
Base



Short Barrel



Long Barrel



Illuminated Push Button
ex. XPIBL-24R

**CLASS I, Div 1 & 2, GROUPS B, C & D;
CLASS II, Div 1 & 2, GROUPS E, F & G;
CLASS III,
NEMA TYPE 4, 4X, 7 & 9**

UL 698 Industrial Control Equipment in Hazardous (Classified) Locations.

UL 1203 Explosion-Proof and Dust-Ignition-Proof Electrical Equipment for Use in Hazardous (Classified) Locations.

CSA 22.2 No. 30-LR86146 Explosion-Proof Electrical Equipment for use in Hazardous Locations.

FEATURES

- Operator bodies are black anodized & teflon impregnated.
- 3/4-14 NPSM threaded body size.
- Explosion-Proof Pilot Lights are suitable for panel or surface mount applications.
- **Long Series:** Accommodates up to 2-1/2" thick enclosure wall thickness.
- **Short Series:** Accommodates up to 1-1/2" thick enclosure wall thickness.
- Standard 6" flexible leads for connection to contact blocks.
- 1 N.O. / 1 N.C. Contact Block standard unless otherwise specified
- Lens cap guard comes standard with a light gray powder coat finish.
- Standard sealed construction can be re-lamped from the front by removal of the lens guard. (Disconnect power prior to performing this procedure).
- XP Pilot Light Series is equipped with bayonet receptacle bases and your choice of 12, 24, 48, 120 or 240 volt LED lamps.
- LED lamps have an operating life upwards of 100,000 hours @ 25 Deg. C ambient temperature. Specify voltage desired.
- Available light bulb colors are Red, White, Blue, Green and Amber.
- See Contact Block Information sheet for mounting and rating information.

X
P
&
X
M

Explosion-Proof Pilot Devices

Nema Type 4, 4X, 7 & 9

Momentary Contact Pushbuttons

Specifications

XPBS - FGA - FS (-CEN)

a b c d e f g ATEX / IECEx Optional

a = Push Button Heads

Code	Description
B	Standard Push Button Head
MH (red or green button only)	**Standard Mushroom Head-Metal
JMH (red button only)	**Jumbo Mushroom Head-Metal
JMHE (white print/red head)	**Jumbo "Emergency Stop" Engraved

b = Barrel Type

Code	Description
S	Short Barrel
L	Long Barrel

c = Operator Type

Code	Description
E	Extended Head
F	Flush Head
BLANK	For MH / JMH

*Note: Does not apply for Jumbo or Mushroom Head

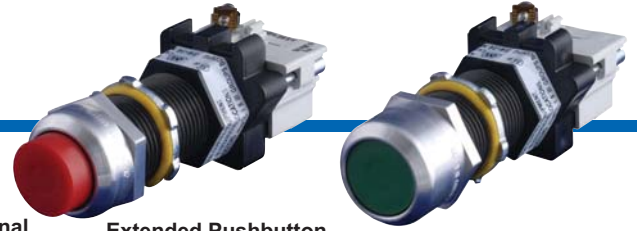
d = Button Color

Code	Description
B	Black
BU	Blue
G	Green
R	Red
Y	Yellow

*Note: Does not apply for Jumbo

e = Rubber Boot

Code	Description
XPB-B	PB Black Boot with Guard
XPB-G	PB Green Boot with Guard
XPB-R	PB Red Boot with Guard
XPB-BU	PB Blue Boot with Guard
XPB-Y	PB Yellow Boot with Guard



Extended Pushbutton
XPBS-ERC

Flush Pushbutton
XPBS-FGC

f = Contact Blocks

Code	Description
Blank	No Contacts
A	1 N.O.
B	1 N.C.
2A	2 N.O.
2B	2 N.C.
C	1 N.O. / 1 N.C.
*D	2 N.O. / 2 N.C.
E	1 N.C.L.B.
F	1 N.O.E.M.
2E	2 N.C.L.B.
2F	2 N.O.E.M.
*G	1 N.O. / 1 N.C.L.B.
*H	1 N.C. / 1 N.C.L.B.
*J	3 N.O. / 3 N.C.
*K	4 N.O. / 4 N.C.
L	N.O.E.M.-N.C.
M	N.O.E.M.-N.O.
N	N.C.L.B.-N.O.E.M.
P	2 N.O. / 2 N.C. (300V)

g = Accessories

Code	Description
-FS	Finger Safe Option

CONTACT ABBREVIATION

N.O.= Normally Open
N.C.= Normally Closed
N.C.L.B.= Normally Closed- Late Break
N.O.E.M.= Normally Open- Early Make

All contact blocks are rated 600V unless noted.

N4= NEMA 4 locking collar is standard on all Akron Electric operators

3/4"-14 NPSM standard thread

Pushbuttons can also be used with Allen Bradley or C3 Controls contact blocks. (C/F)

*Denotes multiple block configuration

**Mushroom heads are made of Anodized Aluminum (Green or Red Only). Jumbo comes in Red only.



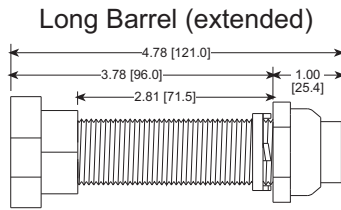
Explosion-Proof Pilot Devices

Nema Type 4, 4X, 7 & 9

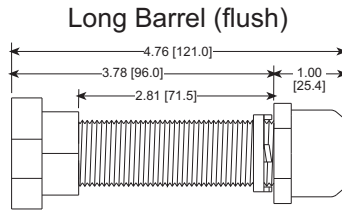
XP PUSHBUTTON OPERATORS DIMENSIONAL DATA

Dimensions (Inches [mm])

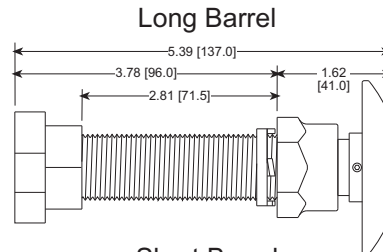
Note: All dimensions are for reference only



Long Barrel (extended)



Long Barrel (flush)



Long Barrel

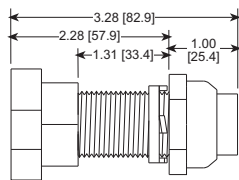


FILE NO. E203605
FILE NO. E139669
FILE NO. E181300

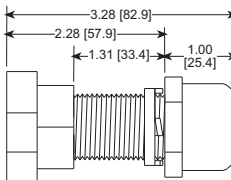


(Optional)

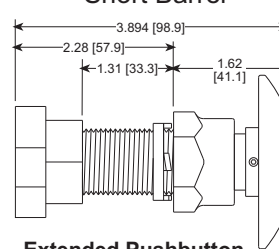
Short Barrel (extended)



Short Barrel (flush)



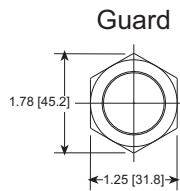
Short Barrel



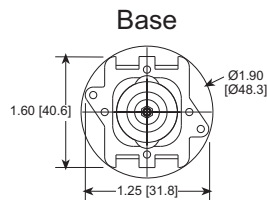
Extended Pushbutton
ex. XPJMHS-RA

Extended Pushbutton
ex. XPBS-ER

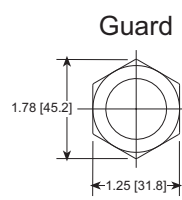
Extended Pushbutton
ex. XPBS-FG



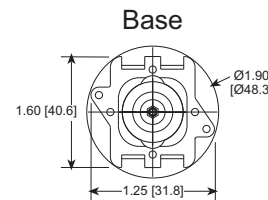
Guard



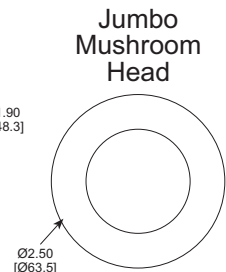
Base



Guard



Base



Jumbo
Mushroom
Head

Features

- Operator bodies are black anodized & teflon-impregnated.
- Operator shafts are stainless steel.
- 3/4-14 NPSM threaded body size.
- Explosion-proof operators are suitable for panel or surface mount applications
- **Long Series:** accommodates up to 2-1/2" thick enclosure wall thickness
- **Short Series:** accommodates up to 1" thick enclosure wall thickness
- Momentary pushbuttons are available in flush and extended versions.
- Momentary pushbuttons are molded thermoplastic protected by a machined aluminum guard.

**CLASS I, Div 1 & 2, GROUPS B, C & D;
CLASS II, Div 1 & 2, GROUPS E, F & G;
CLASS III;
NEMA TYPE 4, 4X, 7 & 9**

UL 698 Industrial Control Equipment for use in hazardous (Classified) locations.

UL 1203 Explosion-Proof and Dust-Ignition Proof Electrical Equipment for use in hazardous (Classified) locations.

CSA C22.2 No. 30-LR86146 Explosion-Proof Enclosures for use in Class I Hazardous locations.

Explosion-Proof Pilot Devices

Nema Type 4, 4X, 7 & 9

2 & 3 Position Push-Pull Switch Operators

Specifications



2 Position Push-Pull Switch Operator
XPPPS-2GE

XPPP **S** - **2** **RA** - **FS** (-CEN)

a *b* *c* *d* *e* *f* ATEX / IECEx Optional

a = Barrel Type

Code	Description
S	Short Barrel
L	Long Barrel

b = Number of Positions

Code	Description
2	2-Position
3	3-Position

c = **Mushroom Heads

Code	Description
Blank	Standard Mushroom Head
J	Jumbo Mushroom Head

Note: To engrave mushroom heads, C/F

d = Button Color

Code	Description
G	Green
R	Red

e = Contact Blocks

Code	Description
Blank	No Contacts
A	1 N.O.
B	1 N.C.
2A	2 N.O.
2B	2 N.C.
C	1 N.O. / 1 N.C.
*D	2 N.O. / 2 N.C.
E	1 N.C.L.B.
F	1 N.O.E.M.
2E	2 N.C.L.B.
2F	2 N.O.E.M.
*G	1 N.O. / 1 N.C.L.B.
*H	1 N.C. / 1 N.C.L.B.
*J	3 N.O. / 3 N.C.
*K	4 N.O. / 4 N.C.
L	N.O.E.M.-N.C.
M	N.O.E.M.-N.O.
N	N.C.L.B.-N.O.E.M.
P	2 N.O. / 2 N.C. (300V)

f = Accessories

Code	Description
-FS	Finger Safe Option

CONTACT ABBREVIATION

N.O.= Normally Open
N.C.= Normally Closed
N.C.L.B.= Normally Closed- Late Break
N.O.E.M.= Normally Open- Early Make
E.C.N.O.= Early Close-Normally Open
L.O.N.C.= Late Open-Normally Closed

All contact blocks are rated 600V unless noted.

N4= NEMA 4 locking collar is standard on all Akron Electric operators

3/4"-14 NPSM standard thread

Pushbuttons can also be used with Allen Bradley or C3 Controls contact blocks. (C/F)

*Denotes multiple block configuration

**Mushroom heads are made of Anodized Aluminum



Explosion-Proof Pilot Devices

Nema Type 4, 4X, 7 & 9

XP 2 & 3 Position Push-Pull Operators Dimensional Data

Dimensions (Inches [mm])

Note: All dimensions are for reference only



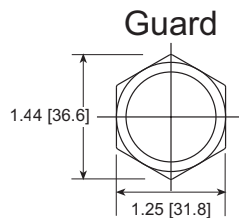
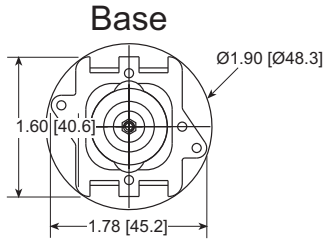
LR86146



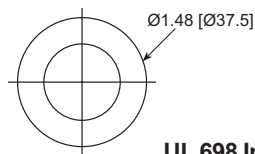
FILE NO. E203605
FILE NO. E139669
FILE NO. E181300



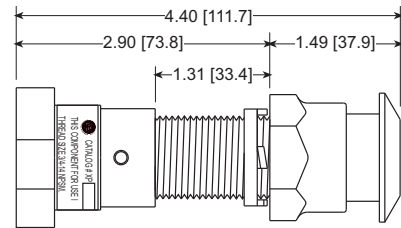
(Optional)



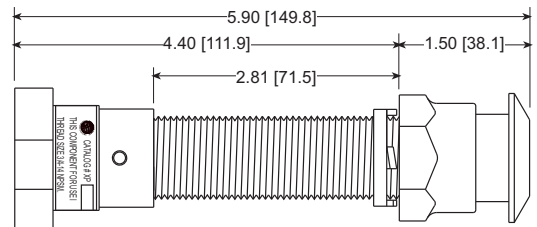
Mushroom Head Cap



Short Barrel



Long Barrel



Push-Pull Operator
ex. XPPPL-2JR

CLASS I, Div 1 & 2, GROUPS B, C & D;
CLASS II, Div 1 & 2, GROUPS E, F & G;
CLASS III,
NEMA TYPE 4, 4X, 7 & 9

UL 698 Industrial Control Equipment in Hazardous (Classified) Locations.

UL 1203 Explosion-Proof and Dust-Ignition-Proof Electrical Equipment for Use in Hazardous (Classified) Locations.

CSA C22.2 No. 30-LR86146 Explosion-Proof Enclosures for use in Class I Hazardous locations.

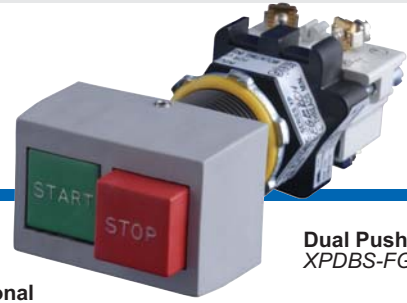
FEATURES

- Operator bodies are black anodized & teflon impregnated.
- Operating Shafts are stainless steel.
- 3/4-14 NPSM threaded body size
- **Long Series:** Accommodates up to 2-1/2" thick enclosure wall thickness.
- **Short Series:** Accommodates up to 1" thick enclosure wall thickness.
- Explosion-Proof Operators are suitable for panel or surface mount applications.
- See Contact Block Information sheet for mounting and rating information.
- Mushroom Push Buttons are 1-1/2" Diameter Aluminum
- Jumbo 2-1/2" Dia. Aluminum Red Mushroom Button available
- Push-Pull Operator available 2 or 3 position

Explosion-Proof Pilot Devices

Nema Type 4, 4X, 7 & 9

Dual Pushbuttons (Momentary)



Dual Pushbutton
XPDBS-FGERCH1

Specifications

XPDB S - FGER C H0 - FS (-CEN)

a *b* *c* *d* *e* *f* ATEX / IECEx Optional

a = Barrel Type

Code	Description
L	Long Barrel
S	Short Barrel

b = Button Sequence & Color

Code	Description
FGER	Flush (Green), Extended (Red)
FBFB	Flush (Black), Flush (Black)

*Note - C/F for alternate combinations

d = Mounting

Code	Description
H	Horizontal
V	Vertical

e = Marking & Position

Code	Top or Left Side	Bottom or Right Side
0	BLANK	BLANK
1	START	STOP
2	ON	OFF
3	OPEN	CLOSE
4	UP	DOWN
5	FWD	REV

c = Contact Blocks

Code	Description
Blank	No Contacts
2A	2 N.O.
2B	2 N.C.
C	1 N.O. / 1 N.C.
*D	2 N.O. / 2 N.C.
2E	2 N.C.L.B.
2F	2 N.O.E.M.
*G	1 N.O. / 1 N.C.L.B.
*H	1 N.C. / 1 N.C.L.B.
*J	3 N.O. / 3 N.C.
*K	4 N.O. / 4 N.C.
L	N.O.E.M.-N.C.
M	N.O.E.M.-N.O.
N	N.C.L.B.-N.O.E.M.
P	2 N.O. / 2 N.C. (300V)

f = Accessories

Code	Description
-FS	Finger Safe Option

CONTACT ABBREVIATION

N.O.= Normally Open
N.C.= Normally Closed
N.C.L.B.= Normally Closed- Late Break
N.O.E.M.= Normally Open- Early Make

Pushbuttons can also be used with Allen Bradley or C3 Controls contact blocks. (C/F)

*Denotes multiple block configuration

All contact blocks are rated 600V unless noted.

N4= NEMA 4 locking collar is standard on all Akron Electric operators

3/4"-14 NPSM standard thread



Explosion-Proof Pilot Devices

Nema Type 4, 4X, 7 & 9

XP Dual Push Button Operators Dimensional Data

Dimensions (Inches [mm])

Note: All dimensions are for reference only



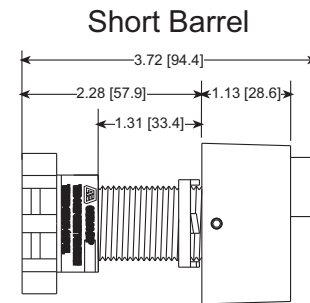
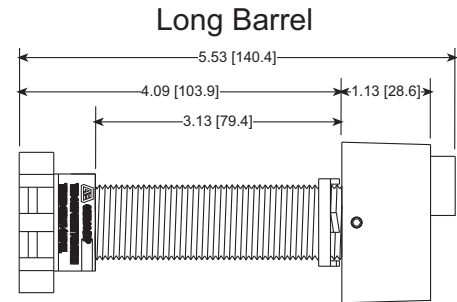
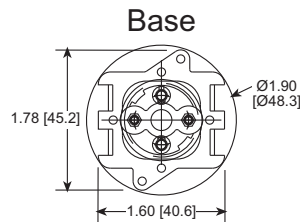
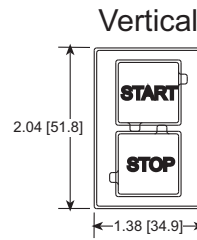
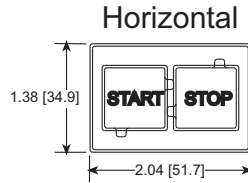
LR86146



FILE NO. E203605
FILE NO. E139669
FILE NO. E181300



(Optional)



Dual Push Button
ex. XPDBS-FGERC

CLASS I, Div 1 & 2, GROUPS B, C & D;
CLASS II, Div 1 & 2, GROUPS E, F & G;
CLASS III,
NEMA TYPE 4, 4X, 7 & 9

UL 698 Industrial Control Equipment in Hazardous (Classified) Locations.

UL 1203 Explosion-Proof and Dust-Ignition-Proof Electrical Equipment for Use in Hazardous (Classified) Locations.

CSA C22.2 No. 30-LR86146 Explosion-Proof Enclosures for use in Class I Hazardous locations.

FEATURES

- Operator bodies are black anodized & teflon impregnated.
- Operating Shafts are stainless steel.
- 3/4-14 NPSM threaded body size
- **Long Series:** Accommodates up to 2-1/2" thick enclosure wall thickness.
- **Short Series:** Accommodates up to 1" thick enclosure wall thickness.
- Explosion-Proof Operators are suitable for panel or surface mount applications.
- See Contact Block Information sheet for mounting and rating information.
- Dual Push Button Operators are available in horizontal or vertical button configuration.
- Dual Push Button Operators are available blank or with standard lettering.
- For Custom Engraving, Consult Factory

Explosion-Proof Pilot Devices

Nema Type 4, 4X, 7 & 9

Push-To-Test Pushbuttons



Push-to-Test Pushbutton
XPPTS-24RC

Specifications

XPPTT S - 24 R C (-CEN)

a *b* *c* *d* ATEX / IECEx Optional

a = Barrel Type

Code	Description
S	Short Barrel
L	Long Barrel

b = Voltage

Code	Description
12	12 Volts
24	24 Volts
48	48 Volts
120	120 Volts
240	240 Volts

C = Lens Color

Code	Description
A	Amber
B	Blue
G	Green
R	Red
W	White

d = Contact Blocks

Code	Description
C	1 N.O. / 1 N.C.

CONTACT ABBREVIATION

N.O.= Normally Open
N.C.= Normally Closed

All contact blocks are rated 600V unless noted.

N4= NEMA 4 locking collar is standard on all Akron Electric operators

3/4"-14 NPSM standard thread

Pushbuttons can also be used with Allen Bradley or C3 Controls contact blocks. (C/F)

*Denotes multiple block configuration

X
P
&
X
M



Explosion-Proof Pilot Devices

Nema Type 4, 4X, 7 & 9

XP Push-To-Test Pushbutton Operators Dimensional Data

Dimensions (Inches [mm])

Note: All dimensions are for reference only



LR86146

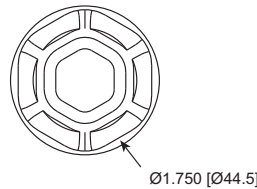


FILE NO. E203605
FILE NO. E139669

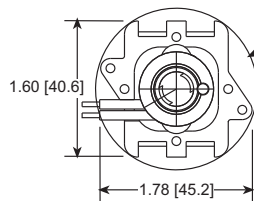


(Optional)

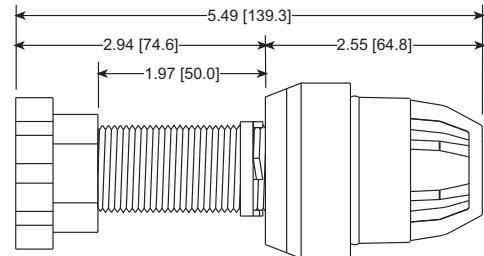
Lens Guard



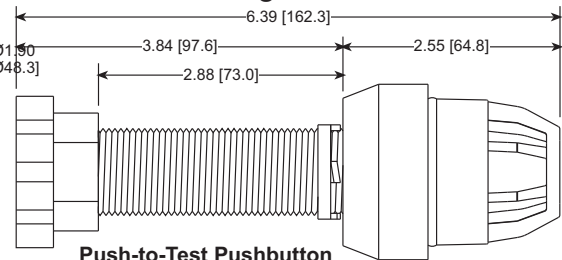
Base



Short Barrel



Long Barrel



Push-to-Test Pushbutton
ex. XPPTTL-24R

CLASS I, Div 1 & 2, GROUPS B, C & D;
CLASS II, Div 1 & 2, GROUPS E, F & G;
CLASS III,
NEMA TYPE 4, 4X, 7 & 9

UL 698 Industrial Control Equipment in Hazardous (Classified) Locations.

UL 1203 Explosion-Proof and Dust-Ignition-Proof Electrical Equipment for Use in Hazardous (Classified) Locations.

CSA C22.2 No. 30-LR86146 Explosion-Proof Enclosures for use in Class I Hazardous locations.

FEATURES

- Operator bodies are black anodized & teflon impregnated.
- 3/4-14 NPSM threaded body size.
- Explosion-Proof Pilot Lights are suitable for panel or surface mount applications.
- **Long Series:** Accommodates up to 2-1/2" thick enclosure wall thickness.
- **Short Series:** Accommodates up to 1-1/2" thick enclosure wall thickness.
- Lens cap guard comes standard with a light gray powder coat finish.
- Standard sealed construction can be re-lamped from the front by removal of the lens guard. (Disconnect power before performing this procedure).
- XP Pilot Light Series is equipped with bayonet receptacle bases and your choice of 12, 24, 48, 120 or 240 volt LED lamps.
- LED lamps have an operating life upwards of 100,000 hours @ 25 Deg. C ambient temperature. Specify voltage desired.
- Available light bulb colors are Red, White, Blue, Green and Amber.
- See Contact Block Information sheet for mounting and rating information.

XP & XM

Explosion-Proof Pilot Devices

Nema Type 4, 4X, 7 & 9

Potentiometers



Potentiometer
XPPMS-0

Specifications

XPPM S - 0 (-CEN)

a *b* ATEX / IECEx Optional

a = Barrel Type

Code	Description
S	Short Barrel
L	Long Barrel

b = Ohms

Code	Description
0	No Pot. Element
1K	1,000 OHM
2K	2,500 OHM
5K	5,000 OHM
10K	10,000 OHM

N4= NEMA 4 locking collar is standard on all Akron Electric operators

3/4"-14 NPSM standard thread

*Note: All Potentiometers are single turn 2W element



FILE NO. E203605
FILE NO. E181300
FILE NO. E139669



LR86146



(Optional)



**CLASS I, Div 1 & 2, GROUPS B, C & D;
CLASS II, Div 1 & 2, GROUPS E, F & G;
CLASS III,
NEMA TYPE 4, 4X, 7 & 9**

UL 698 Industrial Control Equipment in Hazardous (Classified) Locations.

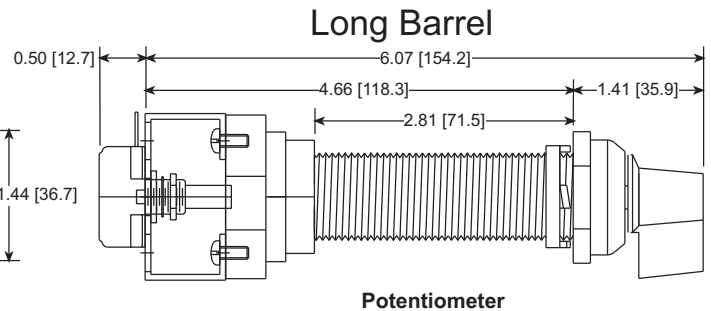
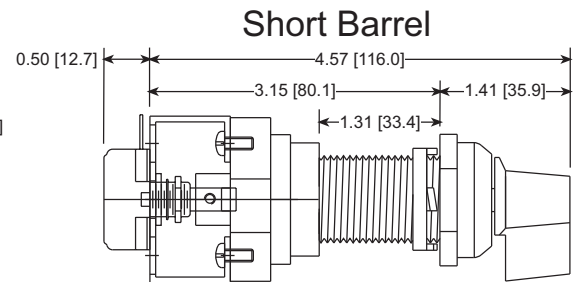
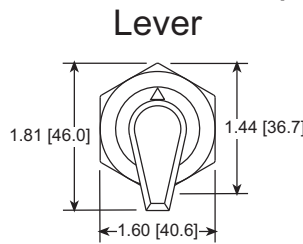
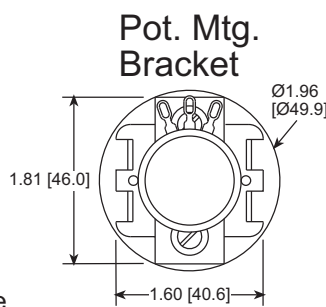
UL 1203 Explosion-Proof and Dust-Ignition-Proof Electrical Equipment for Use in Hazardous (Classified) Locations.

CSA C22.2 No. 30-LR86146 Explosion-Proof Enclosures for use in Class I Hazardous locations.

Potentiometer Operators Dimensional Data

FEATURES

- Operator bodies are black anodized & teflon impregnated.
- Operating Shafts are stainless steel.
- 3/4-14 NPSM threaded body size
- **Long Series:** Accommodates up to 2-1/2" thick enclosure wall thickness.
- **Short Series:** Accommodates up to 1" thick enclosure wall thickness.
- Explosion-Proof Operators are suitable for panel or surface mount applications.
- Potentiometer mount will accept virtually any switch with standard 1/4" dia. shaft up to 1" long, 3/8"-16 UNC threaded bushing
- Anti-Rotation holes are located in the pot. mounting bracket
- See Contact Block Information sheet for mounting and rating information.





Explosion-Proof Pilot Devices

Nema Type 4, 4X, 7 & 9

Reset Pushbutton



Dimensions (Inches [mm])

Note: All dimensions are for reference only

XRBS (-CEN)

a ATEX / IECEx Optional

a = Barrel Type

Code	Description
S	Short Barrel
L	Long Barrel



FILE NO. E139669
FILE NO. E181300



LR86146



(Optional)



**CLASS I, Div 1 & 2, GROUPS B, C & D;
CLASS II, Div 1 & 2, GROUPS E, F & G;
CLASS III,
NEMA TYPE 4, 4X, 7 & 9**

UL 698 Industrial Control Equipment in Hazardous (Classified) Locations.

UL 1203 Explosion-Proof and Dust-Ignition-Proof Electrical Equipment for Use in Hazardous (Classified) Locations.

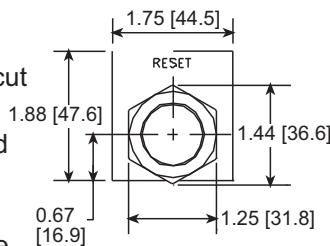
CSA C22.2 No. 30-LR86146 Explosion-Proof Enclosures for use in Class I Hazardous locations.

Reset Operators Dimensional Data

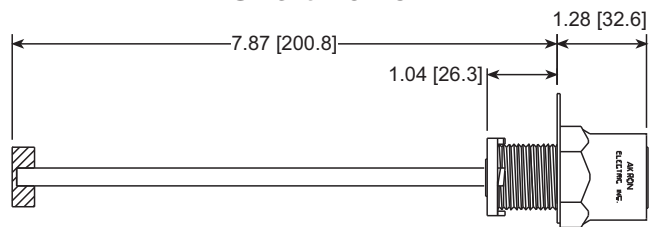
FEATURES

- Stainless steel shaft can be easily cut to required length.
- Operator bodies are black anodized & teflon impregnated.
- 3/4-14 NPSM threaded body size
- Explosion-Proof Resets are suitable for panel or surface mount applications.
- **Long Series:** Accommodates up to 1-7/16" thick enclosure wall thickness.
- **Short Series:** Accommodates up to 3/4" thick enclosure wall thickness.
- NEMA 4 Sealing Locknut (standard)
- Thermoplastic button avail. in Red, Green, Blue, Yellow or Black.

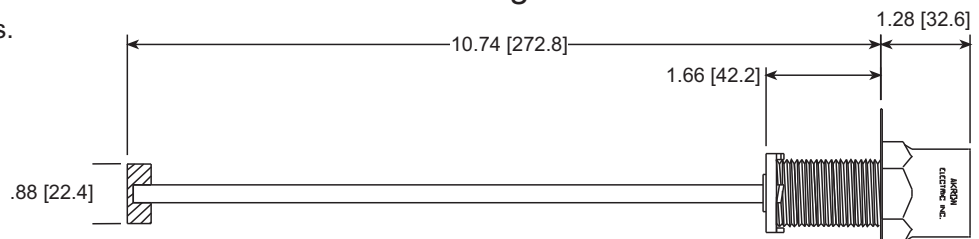
Nameplate/
Guard Dimensions



Short Barrel



Long Barrel



Reset

Explosion-Proof Pilot Devices

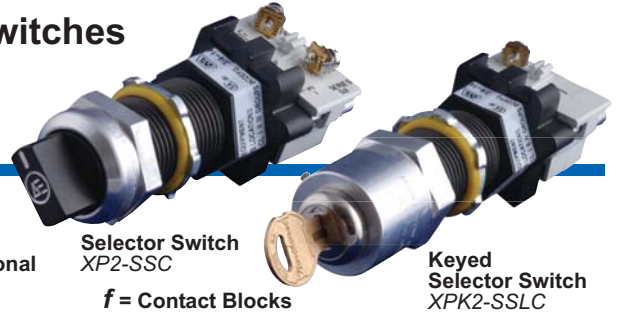
Nema Type 4, 4X, 7 & 9

2 & 3 Position Selector Switches

Specifications

XP **2** - **S** **CC** - **AE1** - **FS** (-CEN)

a *b* *c* *d* *e* *f* *g* *h* ATEX / IECEx Optional



a = Switch Type

Code	Description
Blank	Standard
K	Keyed

b = Number of Positions

Code	Description
2	Two Position Switch
3	Three Position Switch

C/F for Selector Switches with greater than 3 positions

c = Sequence

Code	Description
S	Maintained
C	Return to Center
R	Return From Left
L	Return From Right

d = Barrel Type

Code	Description
S	Short Barrel
L	Long Barrel

e = Key Removal Position

Code	Description
Blank	No Key
C	Center Removal
R	Right Removal
L	Left Removal

g = Unique Key Configurations

Code	Description
AE1	Key #1
AE2	Key #2
AE3	Key #3

f = Contact Blocks

Code	Description
Blank	No Contacts
A	1 N.O.
B	1 N.C.
2A	2 N.O.
2B	2 N.C.
C	1 N.O. / 1 N.C.
*D	2 N.O. / 2 N.C.
E	1 N.C.L.B.
F	1 N.O.E.M.
2E	2 N.C.L.B.
2F	2 N.O.E.M.
*G	1 N.O. / 1 N.C.L.B.
*H	1 N.C. / 1 N.C.L.B.
*J	3 N.O. / 3 N.C.
*K	4 N.O. / 4 N.C.
L	N.O.E.M.-N.C.
M	N.O.E.M.-N.O.
N	N.C.L.B.-N.O.E.M.
P	2 N.O. / 2 N.C. (300V)

h = Accessory

Code	Description
-FS	Finger Safe Options

N4= NEMA 4 locking collar is standard on all Akron Electric operators

3/4"-14 NPSM standard thread

CONTACT ABBREVIATION

N.O.= Normally Open
N.C.= Normally Closed
N.C.L.B.= Normally Closed- Late Break
N.O.E.M.= Normally Open- Early Make

All contact blocks are rated 600V unless noted.

Consult factory for switching sequences with multiple contacts. Up to four contacts may be stacked.

See Cam Page for Reference to Switching Sequences.

Pushbuttons can also be used with Allen Bradley or C3 Controls contact blocks. (C/F)

*Denotes multiple block configuration



Explosion-Proof Pilot Devices

Nema Type 4, 4X, 7 & 9

XP 2 & 3 Selector Switch Operators (Keyed & Non-Keyed) Dimensional Data

Dimensions (Inches [mm])

Note: All dimensions are for reference only
CLASS I, Div 1 & 2, GROUPS B, C & D;
CLASS II, Div 1 & 2, GROUPS E, F & G;
CLASS III,
NEMA TYPE 4, 4X, 7 & 9

UL 698 Industrial Control Equipment in Hazardous (Classified) Locations.

UL 1203 Explosion-Proof and Dust-Ignition-Proof Electrical Equipment for Use in Hazardous (Classified) Locations.

CSA C22.2 No. 30-LR86146 Explosion-Proof Enclosures for use in Class I Hazardous locations.



FILE NO. E203605
 FILE NO. E181300
 FILE NO. E139669

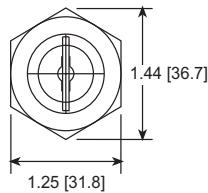
LR86146

(Optional)

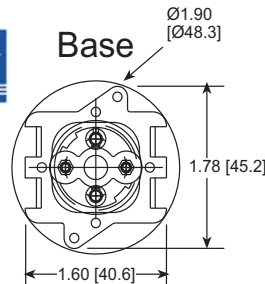
FEATURES

- Operator bodies are black anodized & teflon impregnated.
- Operating Shafts are stainless steel.
- 3/4-14 NPSM threaded body size
- **Long Series:** Accommodates up to 2-1/2" thick enclosure wall thickness.
- **Short Series:** Accommodates up to 1" thick enclosure wall thickness.
- Explosion-Proof Operators are suitable for panel or surface mount applications.
- See Contact Block Information sheet for mounting and rating information.
- Selector Switches available in 2 or 3 positions (For Keyed - specify key removal position)
- Three unique key configurations available - Specify AE1, AE2, or AE3

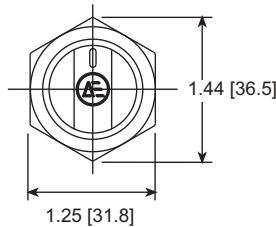
Guard



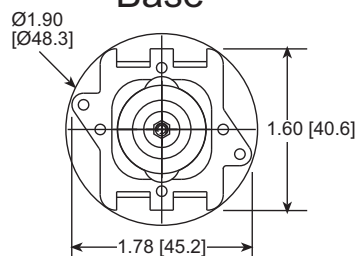
Base



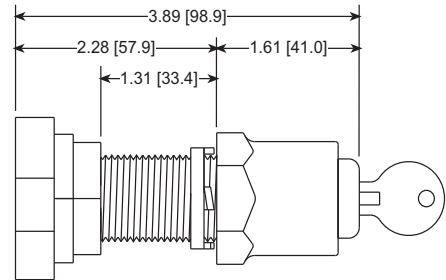
Guard



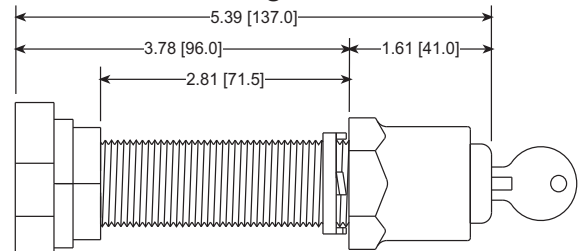
Base



Short Barrel

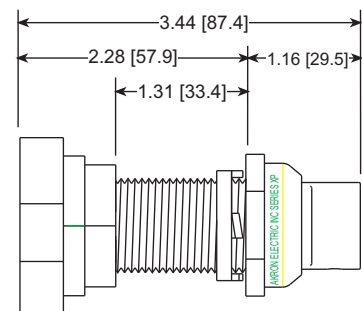


Long Barrel

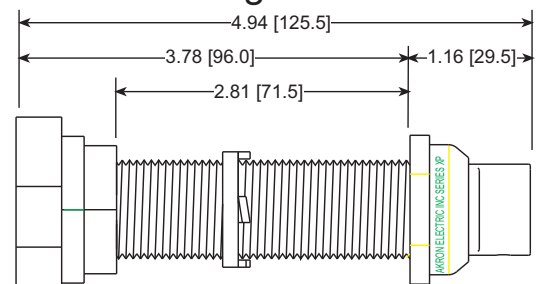


Keyed Selector Switch
ex. XPK2-SSL

Short Barrel



Long Barrel



Selector Switch
ex. XP2-SS

Explosion-Proof Selector Switches

Nema Type 4, 4X, 7 & 9

Selector Switch Contact Sequence Chart

Contact Block Switching Sequences (Standard Installation)

AE SUFFIX	CONTACT BLOCK (AE)	CONTACT BLOCK (CH)	CIRCUIT OF CONTACT BLOCK	MTG POS.	2 POSITION		3 POSITION						
					CAM 1	CAM 2	CAM 3	CAM 4	CAM 5	CAM 6			
KNOB POSITION →					L	R	L	C	R	L	C	R	
"A"	2003ABB	10250T53	1 N.O.	A	O	X	O	O	X	X	O	O	X
"B"	2003AAB	10250T51	1 N.C.	A	X	O	X	X	O	O	X	O	O
"2A"	2003AEB	10250T2	1 N.O. 1 N.O.	A B	O X	X O	O X	O X	O X	X O	X O	O X	O X
"2B"	2003ADB	10250T3	1 N.C. 1 N.C.	A B	X O	X O	X O	X O	X O	O X	O X	O X	O X
"C"	2003ACB	10250T1	1 N.C. 1 N.O.	A B	X O	X O	X O	O X	X O	O X	O X	O X	O X
"D"	(2) 2003ACB	(2) 10250T1	2 N.C. 2 N.O.	A B	X O	X O	X O	O X	X O	O X	O X	O X	O X
"E"	2003AGB	10250T71	1 N.C.L.B	A	X	O	X	X	O	O	X	O	O
"2E"	2003AHB	10250T45	1 N.C.L.B. 1 N.C.L.B.	A B	X O	X O	O X	X O	X O	O X	O X	O X	O X
"J"	(3) 2003ACB	(3) 10250T1	3 N.C. 3 N.O.	A B	X O	X O	X O	O X	X O	O X	O X	O X	O X
"K"	(4) 2003ACB	(4) 10250T1	4 N.C. 4 N.O.	A B	X O	X O	X O	O X	X O	O X	O X	O X	O X
"L"	2003AJB	10250T47	1 E.C.N.O. 1 N.C.	A B	O X	X O	O X	X O	O X	X O	X O	X O	X O
"M"	2003AKB	10250T57	1 E.C.N.O. 1	A B	O X	O X	O X	O X	O X	X O	X O	O X	O X
"N"	2003ALB	10250T55	1 L.O.N.C. 1 E.C.N.O.	A B	X O	X O	O X	X O	O X	O X	O X	X O	X O
"P"	2003AFB -RATED- -300V	10250T44 -RATED- -300V	1 N.C. 1 N.O. 1 N.C. 1 N.O.	A A B B	X O X O	X O O X	O X O O	X O O X	X O O X	O X O X	O X O X	O X O X	O X O X

Inverted Contact Blocks (Rotated 180° from Standard)

AE SUFFIX	CONTACT BLOCK (AE)	CONTACT BLOCK (CH)	CIRCUIT OF CONTACT BLOCK	MTG POS.	2 POSITION		3 POSITION						
					CAM 1	CAM 2	CAM 3	CAM 4	CAM 5	CAM 6			
KNOB POSITION →					L	R	L	C	R	L	C	R	
"A*"	2003ABB	10250T53	1 N.O.	B	O	X	X	O	X	O	X	X	O
"B*"	2003AAB	10250T51	1 N.C.	B	X	O	O	X	O	X	O	O	X
"E*"	2003AGB	10250T71	1 N.C.L.B	B	X	O	O	X	O	X	O	O	X
"C*"	2003ACB	10250T1	1 N.O. 1 N.C.	A B	O X	O X	O X	O X	O X	X O	X O	O X	O X
"D*"	(2) 2003ACB	(2) 10250T1	2 N.O. 2 N.C.	A B	O X	O X	O X	X O	X O	X O	X O	X O	X O
"J*"	(3) 2003ACB	(3) 10250T1	3 N.O. 3 N.C.	A B	O X	O X	O X	X O	X O	X O	X O	X O	X O
"K*"	(4) 2003ACB	(4) 10250T1	4 N.O. 4 N.C.	A B	O X	O X	O X	X O	X O	X O	X O	X O	X O
"L*"	2003AJB	10250T47	1 L.O.N.C. 1 E.C.N.O.	A B	X O	X O	X O	X O	O X	X O	X O	O X	O X
"M*"	2003AKB	10250T57	1 N.O. 1 E.C.N.O.	A B	O X	O X	O X	O X	O X	X O	X O	O X	O X
"N*"	2003ALB	10250T55	1 E.C.N.O. 1 L.O.N.C.	A B	O X	O X	X O	X O	X O	X O	X O	X O	X O

Note: Please consult our Engineering Department for assistance with the interpretation of this chart



Explosion-Proof Mini Pilot Light "XMPL" Series



"When operator space is tight use our XMPL Mini Pilot Series. Illumination is five times brighter than our competitors"

Features:

- LED bulb with 100,000 hours operating life under normal conditions
- EXTRA bright LED bulb is five times brighter than our competitors
- Glass tube construction with ground outside edge allows for wider viewing angle of up to 130 degrees
- Universal bulb for AC and DC applications
- Nema 4X standard construction included
- Available in three lengths; extra short, short and long
- Manufactured in our factory for "quick delivery"
- Certified for 1" center to center spacing in our CXI Series (Groups C & D)
- Shunt Resistor Bulbs available-consult factory if "leakage concerns" exist

Specifications:

- Uni-Body one piece black anodized body, 3/8-16 UNC thread size and lens
- Furnished with 8" flexible 18 gauge wire leads
- LED bulb available voltages of 12V, 24V, 120V (AC/DC)
- Colors available: Amber, Blue, Green, Red and White
- Lens diameter is 3/16"
- Body Type Sizes: extra short, short and long
 - Long- enclosure wall or cover thickness 1-13/16" max.
 - Short- enclosure wall or cover thickness 1-5/16" max.
 - Extra short- enclosure wall or cover thickness of 9/16" max.



Certificate
Number
03.059.1

**ISO
9001 with Design**

Approvals:

UL CLASSIFIED - Standard 698 - E203605
cUL - Standard C22.2 - No. 30 - E203605

Compliances:

N.E.C. - Class. I, Div. 1 & 2 Groups B, C & D
Class. II, Div. 1 & 2 Groups E, F & G
Class. III
NEMA 4, 4X, 7 & 9

EXTRA SHORT BARREL

12 VOLT

XMPLES-12A = Amber 12V AC/DC Pilot Light Extra Short Barrel
XMPLES-12B = Blue 12V AC/DC Pilot Light Extra Short Barrel
XMPLES-12G = Green 12V AC/DC Pilot Light Extra Short Barrel
XMPLES-12R = Red 12V AC/DC Pilot Light Extra Short Barrel
XMPLES-12W = White 12V AC/DC Pilot Light Extra Short Barrel

24 VOLT

XMPLES-24A = Amber 24V AC/DC Pilot Light Extra Short Barrel
XMPLES-24B = Blue 24V AC/DC Pilot Light Extra Short Barrel
XMPLES-24G = Green 24V AC/DC Pilot Light Extra Short Barrel
XMPLES-24R = Red 24V AC/DC Pilot Light Extra Short Barrel
XMPLES-24W = White 24V AC/DC Pilot Light Extra Short Barrel

120 VOLT

XMPLES-120A = Amber 120V AC/DC Pilot Light Extra Short Barrel
XMPLES-120B = Blue 120V AC/DC Pilot Light Extra Short Barrel
XMPLES-120G = Green 120V AC/DC Pilot Light Extra Short Barrel
XMPLES-120R = Red 120V AC/DC Pilot Light Extra Short Barrel
XMPLES-120W = White 120V AC/DC Pilot Light Extra Short Barrel

SHORT BARREL

12 VOLT

XMPLS-12A = Amber 12V AC/DC Pilot Light Short Barrel
XMPLS-12B = Blue 12V AC/DC Pilot Light Short Barrel
XMPLS-12G = Green 12V AC/DC Pilot Light Short Barrel
XMPLS-12R = Red 12V AC/DC Pilot Light Short Barrel
XMPLS-12W = White 12V AC/DC Pilot Light Short Barrel

24 VOLT

XMPLS-24A = Amber 24V AC/DC Pilot Light Short Barrel
XMPLS-24B = Blue 24V AC/DC Pilot Light Short Barrel
XMPLS-24G = Green 24V AC/DC Pilot Light Short Barrel
XMPLS-24R = Red 24V AC/DC Pilot Light Short Barrel
XMPLS-24W = White 24V AC/DC Pilot Light Short Barrel

120 VOLT

XMPLS-120A = Amber 120V AC/DC Pilot Light Short Barrel
XMPLS-120B = Blue 120V AC/DC Pilot Light Short Barrel
XMPLS-120G = Green 120V AC/DC Pilot Light Short Barrel
XMPLS-120R = Red 120V AC/DC Pilot Light Short Barrel
XMPLS-120W = White 120V AC/DC Pilot Light Short Barrel

LONG BARREL

12 VOLT

XMPLL-12A = Amber 12V AC/DC Pilot Light Long Barrel
XMPLL-12B = Blue 12V AC/DC Pilot Light Long Barrel
XMPLL-12G = Green 12V AC/DC Pilot Light Long Barrel
XMPLL-12R = Red 12V AC/DC Pilot Light Long Barrel
XMPLL-12W = White 12V AC/DC Pilot Light Long Barrel

24 VOLT

XMPLL-24A = Amber 24V AC/DC Pilot Light Long Barrel
XMPLL-24B = Blue 24V AC/DC Pilot Light Long Barrel
XMPLL-24G = Green 24V AC/DC Pilot Light Long Barrel
XMPLL-24R = Red 24V AC/DC Pilot Light Long Barrel
XMPLL-24W = White 24V AC/DC Pilot Light Long Barrel

120 VOLT

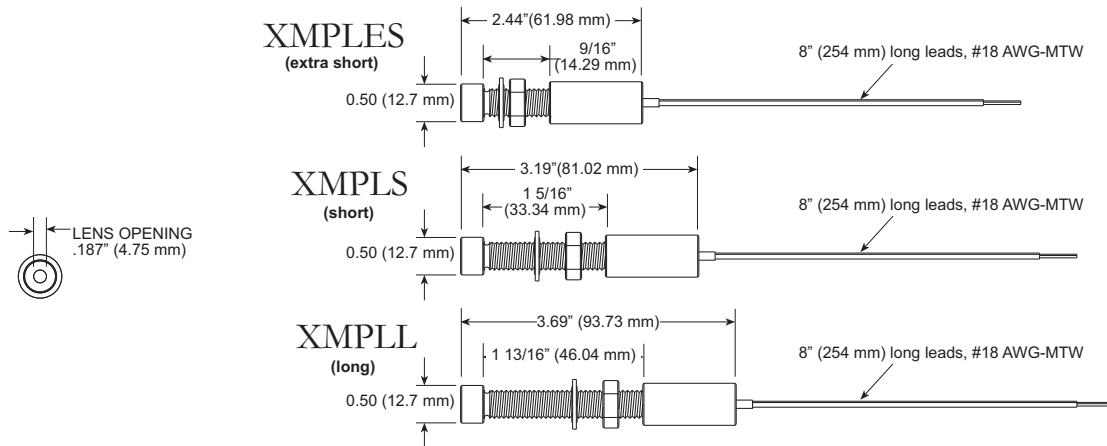
XMPLL-120A = Amber 120V AC/DC Pilot Light Long Barrel
XMPLL-120B = Blue 120V AC/DC Pilot Light Long Barrel
XMPLL-120G = Green 120V AC/DC Pilot Light Long Barrel
XMPLL-120R = Red 120V AC/DC Pilot Light Long Barrel
XMPLL-120W = White 120V AC/DC Pilot Light Long Barrel

ACCESSORIES

XR238A = 3/4" NPT to 3/8-16" NPSM Aluminum Reducer
XR238S = 3/4" NPT to 3/8-16" NPSM Stainless Steel Reducer
XMPBP = Mini operator "close-up" plug
MN6 = Mini legend plate 7/8" square with 1/8" lettering

Explosion-Proof Mini Pilot Light "XMPL" Series

Product Data Sheet



Catalog Number Information

XMPL ES-120 R

Explosion-Proof Mini Pilot Light

Body Type

ES= Extra Short; Enclosure wall or cover thickness 9/16" max.

S= Short; Enclosure wall or cover thickness 1 5/16" max.

L= Long; Enclosure wall or cover thickness 1 13/16" max.

Voltage (AC/DC)

12: 12V, 24: 24V, 120: 120V

Color

A: Amber (Luminous; 600 mcd)

B: Blue (Luminous; 600 mcd)

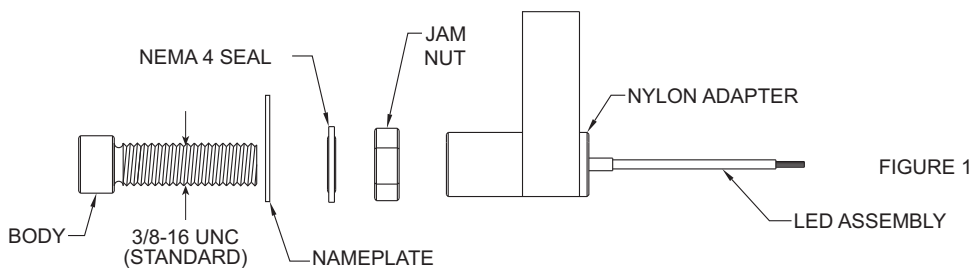
G: Green (Luminous; 2000 mcd)

R: Red (Luminous; 780 mcd)

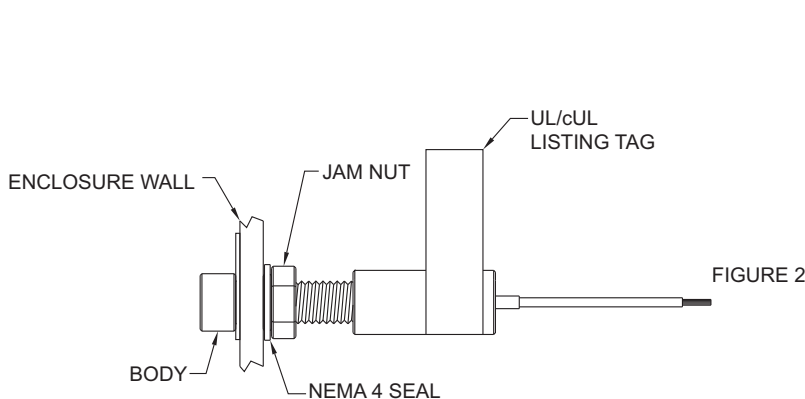
W: White (Luminous; 1300 mcd)

mcd= millicandella

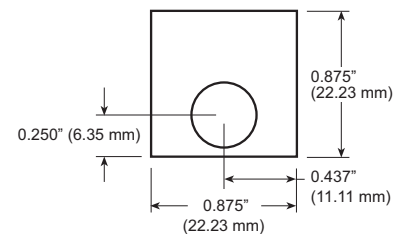
Installation Detail



XMPBP
Mini Operator
"Close Up" Plug



MN6
Mini Name Plate



- Black anodized aluminum
- Letter height 1/8"
- Maximum 7 characters
- Consult factory for special requirements



Explosion-Proof Mini Pushbutton “XMPB” Series



“When operator space is tight use our XMPB Mini Pushbutton Series.

Features:

- Reduce size of control enclosure requirements in hazardous environments
- Mount on 1" center to center vs. standard operators requiring 2-1/2"
- No special enclosures required
- Can be installed in most Akron Electric Enclosures

Specifications:

- Mounts in 3/8"-16 UNC threaded holes
- Black anodized teflon coated bodies
- Stainless Steel actuator shaft
- Plastic buttons available in yellow, green, red and black
- Insulation resistance 1,000 megohm minimum
- Furnished with contact block having 8" wire leads (c/f for custom lengths)
- XMPB 1, 2 & 3 rated 6 amp @ 120 VAC, 3 amp @ 250 VAC
- XMPB 4 rated 1 amp @ 120 VAC
- Body Type Sizes: short and long
 - Long- enclosure wall or cover thickness 1-9/16" max
 - Short- enclosure wall or cover thickness 1" max



Approvals:

UL CLASSIFIED - Standard 698 - E203605
 cUL - Standard C22.2 - No. 30 - E203605
 CSA - Standard C22.2 - No. 30-1986 - LR86146

Compliances:

N.E.C. - Class. I, Div. 1 & 2 Groups B, C & D
 Class. II, Div. 1 & 2 Groups E, F & G
 Class. III
 NEMA 4, 4X, 7 & 9



ATEX / IECEx (Optional)

- II 2 G Ex d IIB+H2 Gb;
- II 2 D Ex tb IIIC Db IP66
- Ex d IIB+H2 Gb; Ex tb IIIC Db IP66
 IP66, if installed in IP66 Enclosure

SHORT BARREL

XMPBS1

- XMPBS-1B = Mini Pushbutton Short Barrel SPDT Maintained (Black)
- XMPBS-1G = Mini Pushbutton Short Barrel SPDT Maintained (Green)
- XMPBS-1R = Mini Pushbutton Short Barrel SPDT Maintained (Red)
- XMPBS-1Y = Mini Pushbutton Short Barrel SPDT Maintained (Yellow)

XMPBS2

- XMPBS-2B = Mini Pushbutton Short Barrel SPDT Momentary (Black)
- XMPBS-2G = Mini Pushbutton Short Barrel SPDT Momentary (Green)
- XMPBS-2R = Mini Pushbutton Short Barrel SPDT Momentary (Red)
- XMPBS-2Y = Mini Pushbutton Short Barrel SPDT Momentary (Yellow)

XMPBS3

- XMPBS-3B = Mini Pushbutton Short Barrel DPDT Maintained (Black)
- XMPBS-3G = Mini Pushbutton Short Barrel DPDT Maintained (Green)
- XMPBS-3R = Mini Pushbutton Short Barrel DPDT Maintained (Red)
- XMPBS-3Y = Mini Pushbutton Short Barrel DPDT Maintained (Yellow)

XMPBS4

- XMPBS-4B = Mini Pushbutton Short Barrel DPDT Momentary (Black)
- XMPBS-4G = Mini Pushbutton Short Barrel DPDT Momentary (Green)
- XMPBS-4R = Mini Pushbutton Short Barrel DPDT Momentary (Red)
- XMPBS-4Y = Mini Pushbutton Short Barrel DPDT Momentary (Yellow)

LONG BARREL

XMPBL1

- XMPBL-1B = Mini Pushbutton Long Barrel SPDT Maintained (Black)
- XMPBL-1G = Mini Pushbutton Long Barrel SPDT Maintained (Green)
- XMPBL-1R = Mini Pushbutton Long Barrel SPDT Maintained (Red)
- XMPBL-1Y = Mini Pushbutton Long Barrel SPDT Maintained (Yellow)

XMPBL2

- XMPBL-2B = Mini Pushbutton Long Barrel SPDT Momentary (Black)
- XMPBL-2G = Mini Pushbutton Long Barrel SPDT Momentary (Green)
- XMPBL-2R = Mini Pushbutton Long Barrel SPDT Momentary (Red)
- XMPBL-2Y = Mini Pushbutton Long Barrel SPDT Momentary (Yellow)

XMPBL3

- XMPBL-3B = Mini Pushbutton Long Barrel DPDT Maintained (Black)
- XMPBL-3G = Mini Pushbutton Long Barrel DPDT Maintained (Green)
- XMPBL-3R = Mini Pushbutton Long Barrel DPDT Maintained (Red)
- XMPBL-3Y = Mini Pushbutton Long Barrel DPDT Maintained (Yellow)

XMPBL4

- XMPBL-4B = Mini Pushbutton Long Barrel DPDT Momentary (Black)
- XMPBL-4G = Mini Pushbutton Long Barrel DPDT Momentary (Green)
- XMPBL-4R = Mini Pushbutton Long Barrel DPDT Momentary (Red)
- XMPBL-4Y = Mini Pushbutton Long Barrel DPDT Momentary (Yellow)

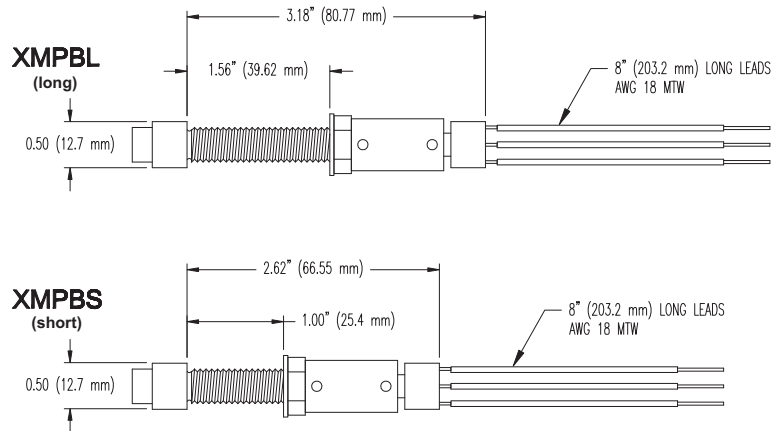
ACCESSORIES

- XMPBP = Mini operator “close-up” plug
- MN6 = Mini legend plate 7/8" square with 1/8" lettering

X
P
&
X
M

Explosion-Proof Mini Pushbutton “XMPB” Series

Product Data Sheet



Catalog Number Information

XMPB S-1 R

Explosion-Proof Mini Pushbutton

Body Type

S= Short; Enclosure wall or cover thickness 1" max.

L= Long; Enclosure wall or cover thickness 1-9/16" max.

Specifications

1: SPDT, Maintained; 2: SPDT, Momentary

3: DPDT, Maintained; 4: DPDT, Momentary

Color

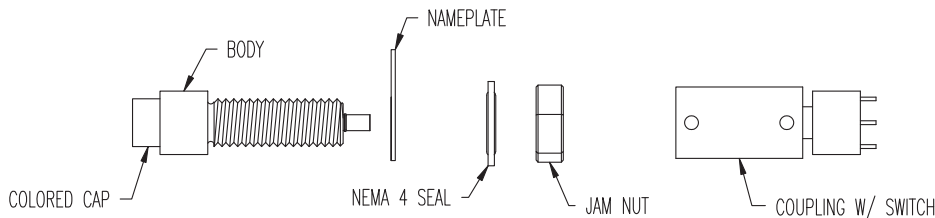
B: Black

G: Green

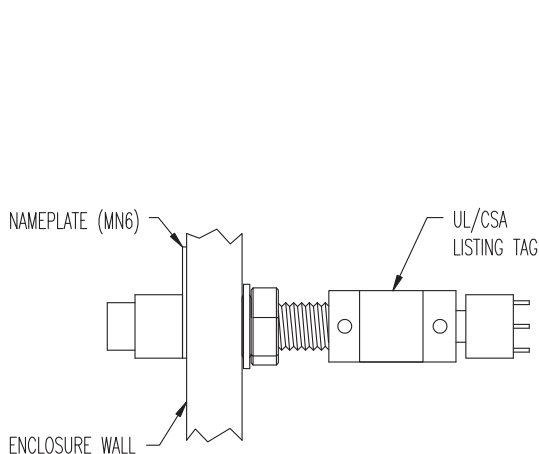
R: Red

Y: Yellow

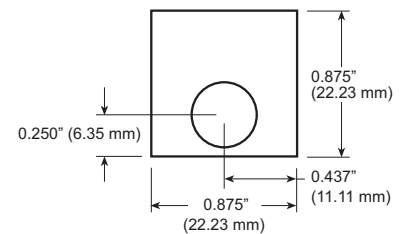
Installation Detail



XMPBP
Mini Operator
“Close Up” Plug



MN6
Mini Name Plate



- Black anodized aluminum
- Letter height 1/8"
- Maximum 7 characters
- Consult factory for special requirements



Explosion-Proof Mini Reset “XMR” Series



SHORT BARREL

XMRS*

- XMRSR** = Mini Reset Short Barrel (Red)
- XMRSB** = Mini Reset Short Barrel (Black)
- XMRSG** = Mini Reset Short Barrel (Green)
- XMRSY** = Mini Reset Short Barrel (Yellow)

XMRS Shaft Length Specifications

- | | |
|----------------------------|-------------|
| XMRSR = Min = 0.25" | Max = 2.44" |
| XMRSB = Min = 0.25" | Max = 2.44" |
| XMRSG = Min = 0.25" | Max = 2.44" |
| XMRSY = Min = 0.25" | Max = 2.44" |

LONG BARREL

XMRL**

- XMRLR** = Mini Reset Long Barrel (Red)
- XMRLB** = Mini Reset Long Barrel (Black)
- XMRLG** = Mini Reset Long Barrel (Green)
- XMRLY** = Mini Reset Long Barrel (Yellow)

XMRL Shaft Length Specifications

- | | |
|----------------------------|-------------|
| XMRLR = Min = 0.25" | Max = 2.44" |
| XMRLB = Min = 0.25" | Max = 2.44" |
| XMRLG = Min = 0.25" | Max = 2.44" |
| XMRLY = Min = 0.25" | Max = 2.44" |

* - C/F for recommended enclosure sizes

ACCESSORIES

- XMPBP** = Mini operator “close-up” plug
- MN6** = Mini legend plate 7/8” square with 1/8” lettering

“When operator space is tight use our
XMR Mini Reset Series.

Features:

- Reduce size of control enclosure requirements in hazardous environments
- Mount on 1” center to center vs. standard operators requiring 2-1/2”
- No special enclosures required
- Can be installed in most Akron Electric Enclosures
- High impact plastic buttons available in red, black, green and yellow
- Stainless Steel actuator shaft can be cut to length
- Black anodized, teflon-coated bodies

Specifications:

- Mounts in 3/8”-16 UNC threaded holes
- Body Type Sizes: short and long
 - Short- enclosure wall or cover thickness 1-3/16” max
 - Long- enclosure wall or cover thickness 1-3/4” max



Certificate
Number
03.059.1

**ISO
9001 with Design**

Approvals:

UL CLASSIFIED - Standard 698 - E203605
CSA - Standard C22.2 - No. LR86146

Compliances:

N.E.C. - Class. I, Div. 1 & 2 Groups B, C & D
Class. II, Div. 1 & 2 Groups E, F & G
Class. III
NEMA 4, 4X, 7 & 9

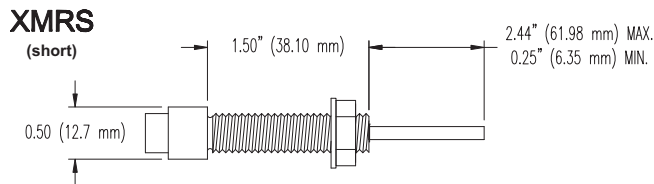
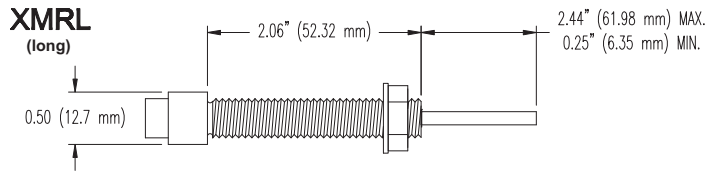


ATEX / IECEx (Optional)

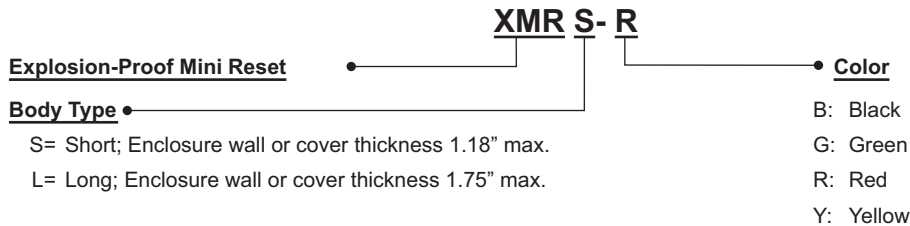
- II 2 G Ex d IIB+H2 Gb;
- II 2 D Ex tb IIIC Db IP66
- Ex d IIB+H2 Gb; Ex tb IIIC Db IP66
IP66, if installed in IP66 Enclosure

Explosion-Proof Mini Reset "XMR" Series

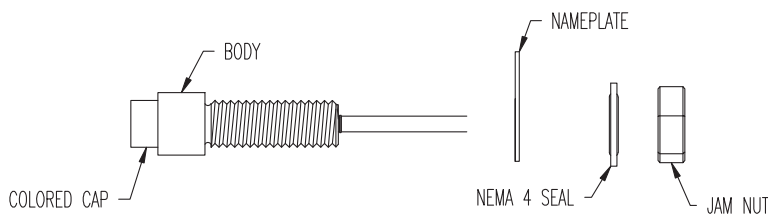
Product Data Sheet



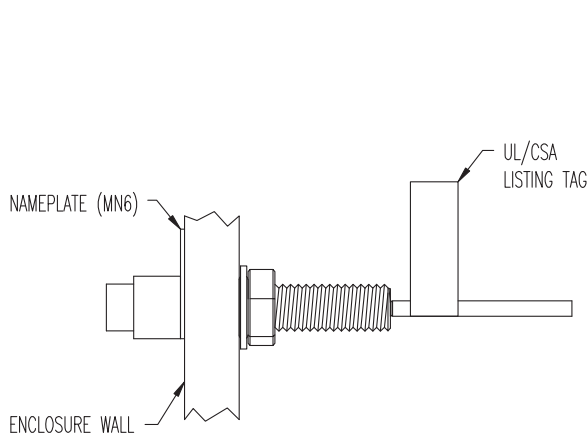
Catalog Number Information



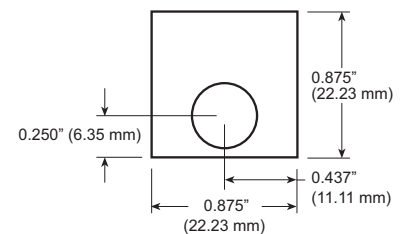
Installation Detail



XMPBP
Mini Operator
"Close Up" Plug



MN6
Mini Name Plate



- Black anodized aluminum
- Letter height 1/8"
- Maximum 7 characters
- Consult factory for special requirements



Explosion-Proof Mini Selector Switch “XMSS” Series



“When operator space is tight use our XMSS Mini Selector Switch Series.

Features:

- Reduce size of control enclosure requirements in hazardous environments
- Mount on 1” center to center vs. standard operators requiring 2-1/2”
- No special enclosures required
- Can be installed in most Akron Electric Enclosures
- 2 through 12 positions with 1, 2 & 4 poles available
- Black Anodized bodies
- 3/8”-16 UNC thread size
- NEMA 4X standard Construction

Specifications:

- Stainless Steel actuator shaft
- Body Type Sizes: short and long
 - Short- enclosure wall or cover thickness 3/4” max
 - Long- enclosure wall or cover thickness 2” max



Approvals:

UL CLASSIFIED - Standard 698 - E203605
cUL - Standard C22.2 - No. 30 - E203605

Compliances:

N.E.C. - Class. I, Div. 1 & 2 Groups B, C & D
Class. II, Div. 1 & 2 Groups E, F & G
Class. III
NEMA 4, 4X, 7 & 9

SHORT BARREL

XMSS1

- XMSS1-2 = 2 Position Mini Selector Switch - 1 Pole - Short Barrel
- XMSS1-3 = 3 Position Mini Selector Switch - 1 Pole - Short Barrel
- XMSS1-4 = 4 Position Mini Selector Switch - 1 Pole - Short Barrel
- XMSS1-5 = 5 Position Mini Selector Switch - 1 Pole - Short Barrel
- XMSS1-6 = 6 Position Mini Selector Switch - 1 Pole - Short Barrel
- XMSS1-7 = 7 Position Mini Selector Switch - 1 Pole - Short Barrel
- XMSS1-8 = 8 Position Mini Selector Switch - 1 Pole - Short Barrel
- XMSS1-9 = 9 Position Mini Selector Switch - 1 Pole - Short Barrel
- XMSS1-10 = 10 Position Mini Selector Switch - 1 Pole - Short Barrel
- XMSS1-11 = 11 Position Mini Selector Switch - 1 Pole - Short Barrel
- XMSS1-12 = 12 Position Mini Selector Switch - 1 Pole - Short Barrel

XMSS2

- XMSS2-2 = 2 Position Mini Selector Switch - 2 Poles - Short Barrel
- XMSS2-3 = 3 Position Mini Selector Switch - 2 Poles - Short Barrel
- XMSS2-4 = 4 Position Mini Selector Switch - 2 Poles - Short Barrel
- XMSS2-5 = 5 Position Mini Selector Switch - 2 Poles - Short Barrel
- XMSS2-6 = 6 Position Mini Selector Switch - 2 Poles - Short Barrel

XMSS4

- XMSS4-2 = 2 Position Mini Selector Switch - 4 Poles - Short Barrel
- XMSS4-3 = 3 Position Mini Selector Switch - 4 Poles - Short Barrel

LONG BARREL

XMSL1

- XMSL1-2 = 2 Position Mini Selector Switch - 1 Pole - Long Barrel
- XMSL1-3 = 3 Position Mini Selector Switch - 1 Pole - Long Barrel
- XMSL1-4 = 4 Position Mini Selector Switch - 1 Pole - Long Barrel
- XMSL1-5 = 5 Position Mini Selector Switch - 1 Pole - Long Barrel
- XMSL1-6 = 6 Position Mini Selector Switch - 1 Pole - Long Barrel
- XMSL1-7 = 7 Position Mini Selector Switch - 1 Pole - Long Barrel
- XMSL1-8 = 8 Position Mini Selector Switch - 1 Pole - Long Barrel
- XMSL1-9 = 9 Position Mini Selector Switch - 1 Pole - Long Barrel
- XMSL1-10 = 10 Position Mini Selector Switch - 1 Pole - Long Barrel
- XMSL1-11 = 11 Position Mini Selector Switch - 1 Pole - Long Barrel
- XMSL1-12 = 12 Position Mini Selector Switch - 1 Pole - Long Barrel

XMSL2

- XMSL2-2 = 2 Position Mini Selector Switch - 2 Poles - Long Barrel
- XMSL2-3 = 3 Position Mini Selector Switch - 2 Poles - Long Barrel
- XMSL2-4 = 4 Position Mini Selector Switch - 2 Poles - Long Barrel
- XMSL2-5 = 5 Position Mini Selector Switch - 2 Poles - Long Barrel
- XMSL2-6 = 6 Position Mini Selector Switch - 2 Poles - Long Barrel

XMSL4

- XMSL4-2 = 2 Position Mini Selector Switch - 4 Poles - Long Barrel
- XMSL4-3 = 3 Position Mini Selector Switch - 4 Poles - Long Barrel

ACCESSORIES

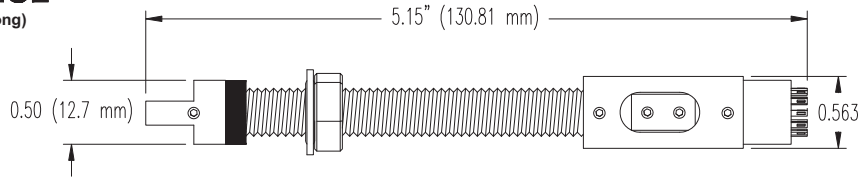
- XMPBP = Mini operator “close-up” plug
- MN6 = Mini legend plate 7/8” square with 1/8” lettering



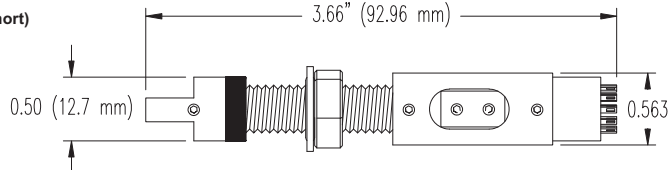
Explosion-Proof Mini Selector Switch "XMSS" Series

Product Data Sheet

XMSSL (long)



XMSS (short)



Catalog Number Information

XMSS 1 - 10

Explosion-Proof Mini Selector Switch

Body Type

S= Short; Enclosure wall or cover thickness 3/4" max.

L= Long; Enclosure wall or cover thickness 2" max.

No. of Poles

1: 1 Pole; 2: 2 Poles

4: 4 Poles

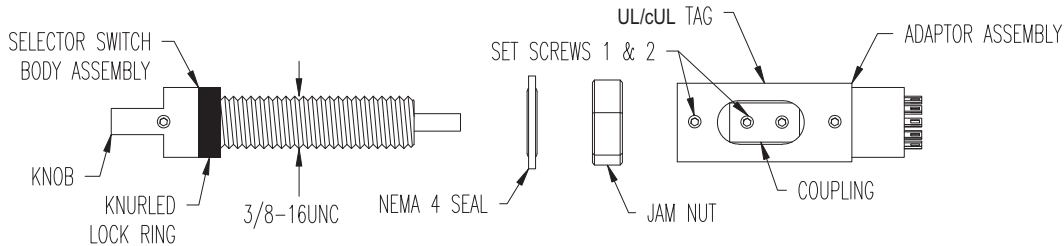
No. of Positions

1 Pole: 2-12 Positions

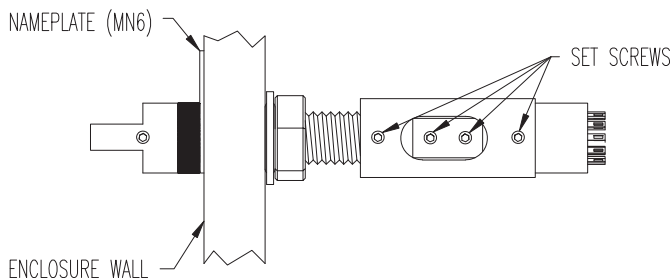
2 Poles: 2-6 Positions

4 Poles: 2 or 3 Positions

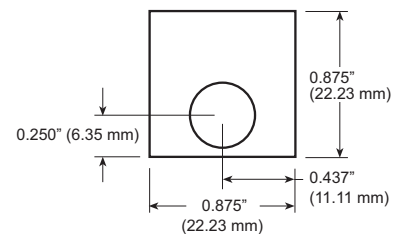
Installation Detail



XMPBP Mini Operator "Close Up" Plug



MN6 Mini Name Plate



- Black anodized aluminum
- Letter height 1/8"
- Maximum 7 characters
- Consult factory for special requirements



Explosion-Proof Pilot Devices

Nema Type 7, 9, 4 & 4X

Legend Plate Options



Specifications

Legend Plate Standard Inscriptions

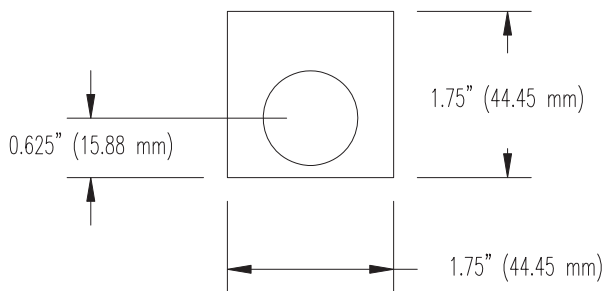
CLOSE
DOWN
EMERGENCY STOP (RED)
FAST
FORWARD-OFF-REVERSE
FORWARD
HAND-OFF-AUTO
HIGH
IN
JOG
LOW
LOWER
OFF
OFF-ON
ON

Legend Plate Standard Inscriptions

ON-OFF
OPEN
OUT
POWER ON
RAISE
RAISE-OFF-LOWER
RESET
REVERSE
RUN
START
STOP (RED)
TEST
UP
UP-DOWN
UP-OFF-DOWN

Note: For alternate inscriptions (Many other standard inscriptions available), please consult factory

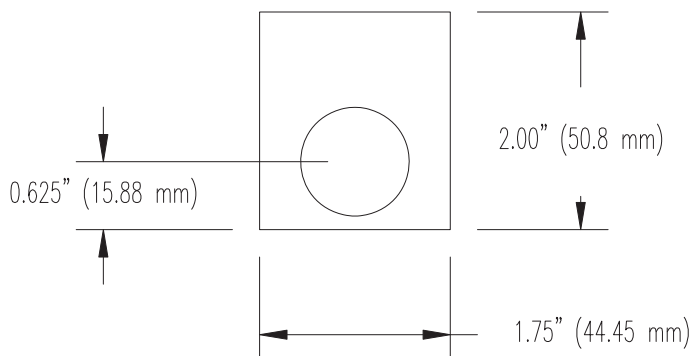
N6
Standard Legend Plate



N7
Phenolic Legend Plate

- Multiple sizes, fonts, colors available
- Consult Factory

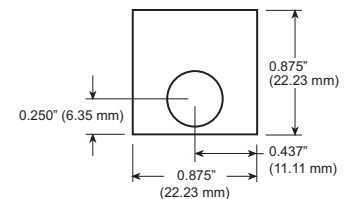
JN6
Jumbo Legend Plate



N8
Custom Legend Plate

- Multiple sizes, fonts, colors available
- Consult Factory

MN6
Mini Name Plate

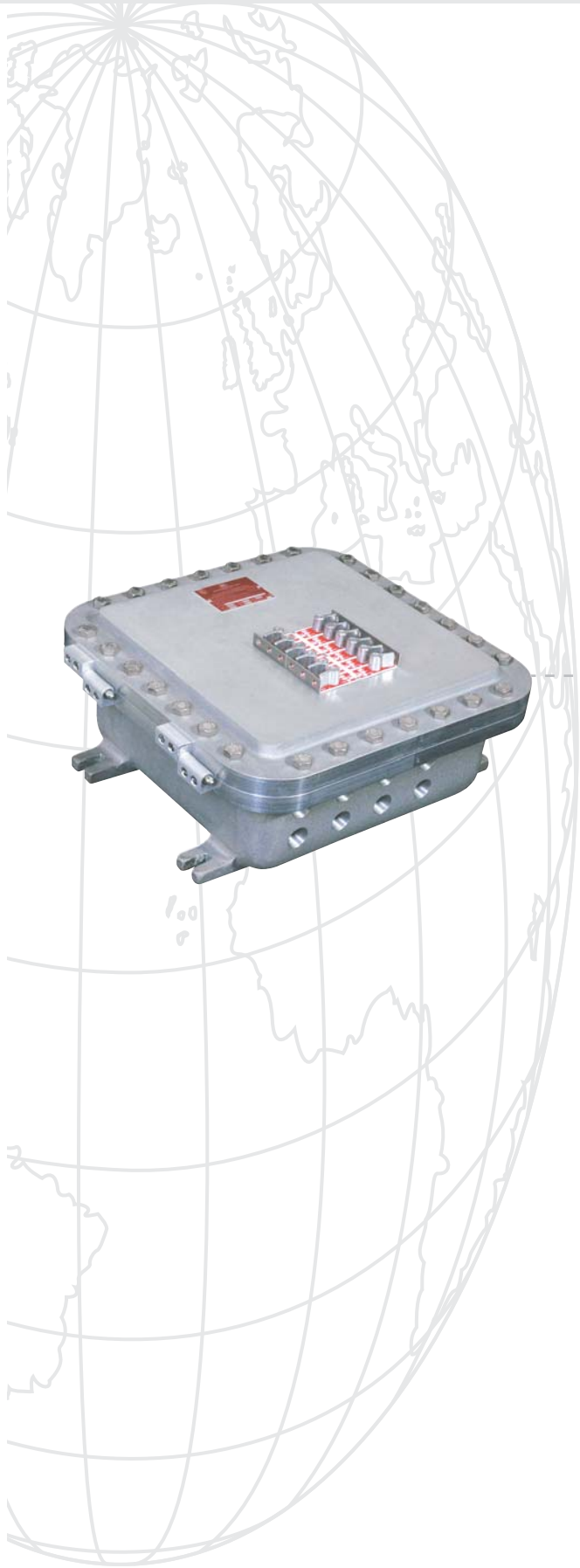


- Black anodized aluminum
- Letter height 1/8"
- Maximum 7 characters
- Consult factory for special requirements

X
P
&
X
M

Explosion-Proof Lighting & Power Distribution Panel Board Series

XPBA - XPBB - XPBC - XPBD - XPBE



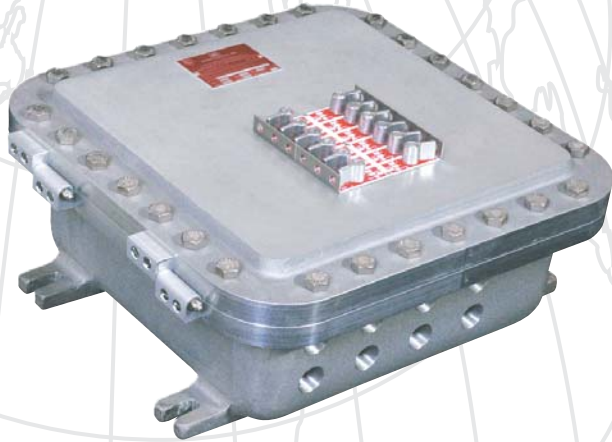
Panel Board Series.....pgs. 115-122
XPBA/XPBB/XPBC/XPBD/XPBE

X
P
P
B



Explosion-Proof Lighting & Power Distribution Panel Board Series

XPBA - XPBB - XPBC - XPBD - XPBE



“This is an excellent solution for your industrial Panel Board applications. Our highly-involved engineering and sales staff get the job done.”

Features:

- Non-Factory Sealed / Flat Cover Design
- 100 Amp Main Lug Only / 225 Amp Main Lug Only
- 100 Amp Main Breaker / 225 Amp Main Breaker
- Circuit Breaker Handles Standard
- Standard Conduit Entries
- XPPB Close-up Plug for C10 handle conduit entries (optional)
- “R3” Close-up Plugs for C1 & C2 - 3/4” NPSM entries (optional)
- Breather & Drain Standard
- Available with or without interiors / chassis
- 10 KAIC Enclosure Ratings
- NEMA 4 O-Ring Gasket for outdoor / wash-down applications
- 1 or 3 Phases Standard
- Top or bottom feed panel availability
- Branch handles pad-lockable in “on” or “off” position
- All Breaker Handles are spring-loaded
- GFI Breakers available
- Consult Factory for: External Epoxy Coating / Custom Designs
- N7 Phenolic Plate and E8 Custom mounting bracket standard
- Spare plugs and handles available upon request for future use

Materials:

- Body & Cover: Copper-Free Cast Aluminum (less than 0.25% copper content)
- Std. Electrical Components: Cutler Hammer Panels
- Cover Bolts: E3 Stainless Steel Triple Lead Captive Quick Thread Bolts (Std.)
- Hinges: Aluminum with Stainless Steel Hardware
- Breaker Handles: Copper-Free Cast Aluminum
- NEMA 4 O-Ring: Buna-N (Standard)
- Breather / Drain (BD): 2BD Stainless Steel (Std.)



Certificate
Number
03.059.1

**ISO
9001 With Design**

Approvals:

- UL - Standard 1203 - No. E139669
- cUL - Standard C22.2 - No. 30-M1986 & No. 25-1966

Compliances:

- CL. I, Div. 1 & 2 Groups B, C & D
- CL. II, Div. 1 & 2 Groups E, F & G
- CL. III
- NEMA 3, 4X, 7 & 9

Applications:

Hazardous such as:

- Petroleum Refineries or Plants
- Wastewater Treatment Facilities
- Areas where harsh gases, chemicals, or vapors are present

Used to control lighting, heating or motor circuit application using a circuit system

Protect against short circuits and to provide a means for disconnects

Indoor & outdoor applications are applicable

Explosion-Proof Lighting & Power Distribution Panel Board Series

100A MAIN LUG

BRANCH CIRCUITS

RAIL LENGTH

BAB	1Ph3W 120/240V MLO 10KAIC	3Ph4W 120/208V MLO 10KAIC	RAIL LENGTH	ENCLOSURE SIZE
12	XPBA-12100-L21P	XPBA-12100-L33P	13	16 x 16 x 6
18	XPBB-18100-L21P	XPBB-18100-L33P	19" (H07)	16 x 24 x 6
24	XPBC-24100-L21P	XPBC-24100-L33P	25" (H01)	16 x 30 x 6
30	XPBD-30100-L21P	XPBD-30100-L33P	31" (H06)	16 x 36 x 6
36	XPBD-36100-L21P	XPBD-36100-L33P	31" (H06)	16 x 36 x 6
3Ph4W 277/480V MLO 14KAIC				
12		XPBA-12100-L43P	13	16 x 16 x 6
18		XPBB-18100-L43P	19" (H07)	16 x 24 x 6
24		XPBC-24100-L43P	25" (H01)	16 x 30 x 6
30		XPBD-30100-L43P	31" (H06)	16 x 36 x 6
36		XPBD-36100-L43P	31" (H06)	16 x 36 x 6

225A MAIN LUG

BRANCH CIRCUITS

RAIL LENGTH

BAB	1Ph3W 120/240V MLO 10KAIC	3Ph4W 120/208V MLO 10KAIC	RAIL LENGTH	ENCLOSURE SIZE
18	XPBC-18225-L21P	XPBC-18225-L33P	25" (H01)	16 x 30 x 6
24	XPBD-24225-L21P	XPBD-24225-L33P	31" (H06)	16 x 36 x 6
30	XPBD-30100-L21P	XPBD-30100-L33P	31" (H06)	16 x 36 x 6
36	XPBE-36100-L21P	XPBE-36100-L33P	37" (H02)	16 x 42 x 6
42	XPBE-42100-L21P	XPBE-42100-L33P	37" (H02)	16 x 42 x 6
3Ph4W 277/480V MLO 14KAIC				
18		XPBC-18225-L43P	25" (H01)	16 x 30 x 6
24		XPBD-24225-L43P	31" (H06)	16 x 36 x 6
30		XPBD-30100-L43P	31" (H06)	16 x 36 x 6
36		XPBE-36100-L43P	37" (H02)	16 x 42 x 6
42		XPBE-42100-L43P	37" (H02)	16 x 42 x 6

100A MAIN BREAKER

BRANCH CIRCUITS

RAIL LENGTH

BAB	1Ph3W 120/240V MLO 10KAIC	3Ph4W 120/208V MLO 10KAIC	RAIL LENGTH	ENCLOSURE SIZE
12	XPBB-12100-M21P	XPBB-12100-M33P	19" (H07)	16 x 24 x 6
18	XPBC-18100-M21P	XPBC-18100-M33P	25" (H01)	16 x 30 x 6
24	XPBD-24100-M21P	XPBD-24100-M33P	31" (H06)	16 x 36 x 6
30	XPBD-30100-M21P	XPBD-30100-M33P	31" (H06)	16 x 36 x 6
36	XPBE-36100-M21P	XPBE-36100-M33P	37" (H02)	16 x 42 x 6
3Ph4W 277/480V MLO 14KAIC				
12		XPBC-12100-M43P	25" (H01)	16 x 30 x 6
18		XPBC-18100-M43P	25" (H01)	16 x 30 x 6
24		XPBD-24100-M43P	31" (H06)	16 x 36 x 6
30		XPBD-30100-M43P	31" (H06)	16 x 36 x 6
36		XPBE-36100-M43P	37" (H02)	16 x 42 x 6



Explosion-Proof Lighting & Power Distribution Panel Board Series

225A MAIN BREAKER

BRANCH CIRCUITS

RAIL LENGTH

BAB	1Ph3W 120/240V MLO 10KAIC	3Ph4W 120/208V MLO 10KAIC	RAIL LENGTH	ENCLOSURE SIZE
12	XPBB-12225-M21P	XPBB-12225-M33P	19" (H07)	16 x 24 x 6
18	XPBC-18225-M21P	XPBC-18225-M33P	25" (H01)	16 x 30 x 6
24	XPBD-24225-M21P	XPBD-24225-M33P	31" (H06)	16 x 36 x 6
30	XPBD-30225-M21P	XPBD-30225-M3P	31" (H06)	16 x 36 x 6
36	XPBE-36225-M21P	XPBE-36225-M33P	37" (H02)	16 x 42 x 6
3Ph4W 277/480V MLO 14KAIC				
18		XPBC-18225-M43P	25" (H01)	16 x 30 x 6
24		XPBD-24225-M43P	31" (H06)	16 x 36 x 6
30		XPBD-30225-M43P	31" (H06)	16 x 36 x 6
36		XPBE-36225-M43P	37" (H02)	16 x 42 x 6
42		XPBE-42225-M43P	37" (H02)	16 x 42 x 6

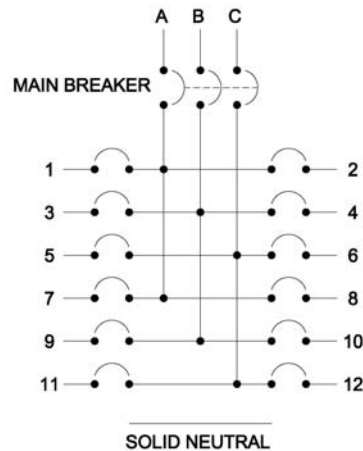
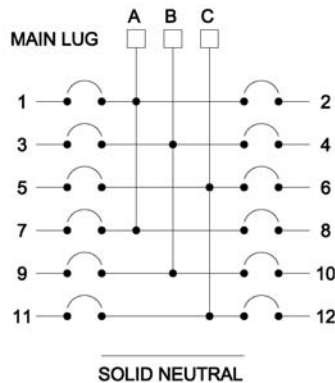
Sample Part Number

XPB* - AA BBB - C D EE

- * = Panel Size
- AA = Number of Circuits
- BBB = Amp
- C = MLO (L) for MB(M)
- D = Voltage(2=120/240), (3=120/208), (4=480)
- EE = Number of Phases

TYPICAL PANELBOARD WIRING DIAGRAM

THREE-PHASE, 4-WIRE SYSTEMS



Explosion-Proof Lighting & Power Distribution Panel Board Series

"XPBA"

Specifications

XPBA-12 100 - L 2 1P - 10 12 2
a b c d e f g h i

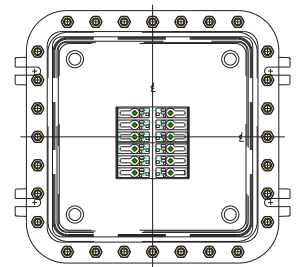
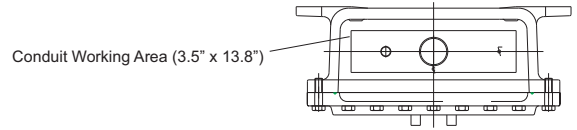
EXAMPLE:

12 CIRCUIT, 120/240V, 1 PHASE, 3 WIRE, 100A MLO
 WITH 6 SINGLE POLE 20A, 3 TWO POLE 25A BREAKERS WILL BE
 XPBA-12100-L21P-10122

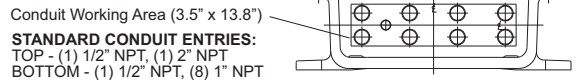
Note: Repeat g, h & i as necessary for different size breakers

NOTES:

- STANDARD HOLES ON THE COVER FOR BREAKER HANDLES
- ONE C10 HANDLE WILL BE SUPPLIED FOR EACH BRANCH BREAKER
- UNUSED HOLES ON THE COVER WILL BE PLUGGED USING XP PLUGS
- ADD "G" AT THE END OF FIVE DIGIT (g, h & i) NUMBER FOR GFI BREAKERS (Only for C10 - opt. adder)
- ONLY CUTLER-HAMMER PANELS WILL BE INSTALLED
- ENCLOSURE IS UL/cUL
- XMPLB - EXTERNAL RESET STANDARD WITH GFCI
- N7 - PHENOLIC NAMEPLATE & E8 - CUSTOM MOUNTING BRACKET STANDARD



CXJ16166-FC



a = Enclosure Size

Code	Description
XPBA	CXJ16166-FC-H2-N4-E3-*C10-2BD-2RP1-8RP3

* - Specify # of C10 Circuit Breaker Handles

b = Number of Circuits

Code	Description
12	12 Circuits (Std. for XPBA)

c = MLO Amps

Code	Description
100A	100 Amps (Std. for XPBA)

d = Main Lug Only

Code	Description
L	MLO - Main Lug Only (Std. for XPBA)

e = Voltage

Code	Description
2	120/240
3	120/208
4	277/480

f = Number of Phases

Code	Description
1P	1 Phase
3P	3 Phase

g = Number of Breakers

Code	Description
1 through 12	1 to 12 breakers possible

* Number of breakers cannot be greater than number of circuits

h = Amps of Branch Breakers

Code	Description
NOTE:	Specify AMP requirement

i = Number of Poles of Branch Breakers

Code	Description
1	1
2	2
3	3



Explosion-Proof Lighting & Power Distribution Panel Board Series

"XPBB"

Specifications

XPBB-12 100 - L 2 1P - 10 20 2
a b c d e f g h i

EXAMPLE:

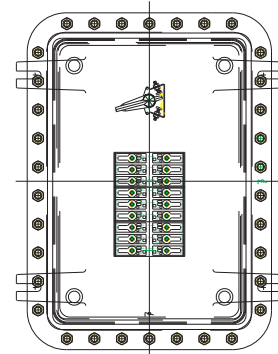
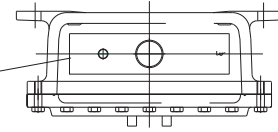
12 CIRCUIT, 120/240V, 1 PHASE, 3 WIRE, 100A MLO
 WITH 6 SINGLE POLE 20A, 3 TWO POLE 25A BREAKERS WILL BE
 XPBB-12100-L21P-10202

Note: Repeat g, h & i as necessary for different size breakers

NOTES:

- STANDARD HOLES ON THE COVER FOR BREAKER HANDLES
- ONE C10 HANDLE WILL BE SUPPLIED FOR EACH BRANCH BREAKER
- UNUSED HOLES ON THE COVER WILL BE PLUGGED USING XP PLUGS
- ADD "G" AT THE END OF FIVE DIGIT (g, h & i) NUMBER FOR GFI BREAKERS (Only for C10 - opt. adder)
- ONLY CUTLER-HAMMER PANELS WILL BE INSTALLED
- ENCLOSURE IS UL/cUL
- XMPLB - EXTERNAL RESET STANDARD WITH GFCI
- N7 - PHENOLIC NAMEPLATE & E8 - CUSTOM MOUNTING BRACKET STANDARD

Conduit Working Area (3.5" x 6.9")



CXJ16246-FC

a = Enclosure Size

Code	Description
XPBB	CXJ16246-FC-H2-N4-E3-C**C10-2BD-2RP1-8RP3

* - For 100 Amps = "C1" CB Handle, Greater than 100 Amps = "C2" CB Handle
 ** - Specify # of C10 Circuit Breaker Handles

b = Number of Circuits

Code	Description
12	12 Circuits for Main Breaker
18	18 Circuits for MLO

c = MCB or MLO Amps

Code	Description
100A	100 Amps for MCB or MLO
225A	225 Amps for MCB

d = Main Lug Only

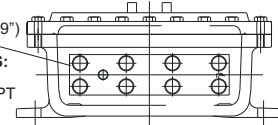
Code	Description
L	MLO - Main Lug Only
M	MCB - Main Circuit Breaker

e = Voltage

Code	Description
2	120/240
3	120/208
4	277/480

Conduit Working Area (3.5" x 6.9")

STANDARD CONDUIT ENTRIES:
 TOP - (1) 1/2" NPT, (1) 2" NPT
 BOTTOM - (1) 1/2" NPT, (8) 1" NPT



f = Number of Phases

Code	Description
1P	1 Phase
3P	3 Phase

g = Number of Breakers

Code	Description
1 through 18 (MLO)	1 to 18 breakers possible
1 through 12 (MCB)	1 to 12 breakers possible

* Number of breakers cannot be greater than number of circuits

h = Amps of Branch Breakers

Code	Description
NOTE:	Specify AMP Requirement

i = Number of Poles of Branch Breakers

Code	Description
1	1
2	2
3	3

Explosion-Proof Lighting & Power Distribution Panel Board Series

"XPBC"

Specifications

XPBC-12 100-L 2 1P-10 20 2
a b c d e f g h i

EXAMPLE:

12 CIRCUIT, 120/240V, 1 PHASE, 3 WIRE, 100A MLO
 WITH 6 SINGLE POLE 20A, 3 TWO POLE 25A BREAKERS WILL BE
 XPBC-12100-L21P-06201-032502G

Note: Repeat g, h & i as necessary for different size breakers

NOTES:

- STANDARD HOLES ON THE COVER FOR BREAKER HANDLES
- ONE C10 HANDLE WILL BE SUPPLIED FOR EACH BRANCH BREAKER
- UNUSED HOLES ON THE COVER WILL BE PLUGGED USING XP PLUGS
- ADD "G" AT THE END OF FIVE DIGIT (g, h & i) NUMBER FOR GFI BREAKERS (Only for C10 - opt. adder)
- ONLY CUTLER-HAMMER PANELS WILL BE INSTALLED
- ENCLOSURE IS UL/cUL
- XMPLB - EXTERNAL RESET STANDARD WITH GFCI
- N7 - PHENOLIC NAMEPLATE & E8 - CUSTOM MOUNTING BRACKET STANDARD

a = Enclosure Size

Code	Description
XPBC	CXJ16306-FC-H2-N4-E3-C-**-C10-2BD-2RP1-8RP3

* - For 100 Amps = "C1" CB Handle, Greater than 100 Amps = "C2" CB Handle
 ** - Specify # of C10 Circuit Breaker Handles

b = Number of Circuits

Code	Description
12	12 Circuits for Main Breaker
18	18 Circuits for MLO / MCB
24	24 Circuits for MLO

c = MCB or MLO Amps

Code	Description
100A	100 Amps for MCB or MLO
225A	225 Amps for MCB or MLO

d = Main Lug Only

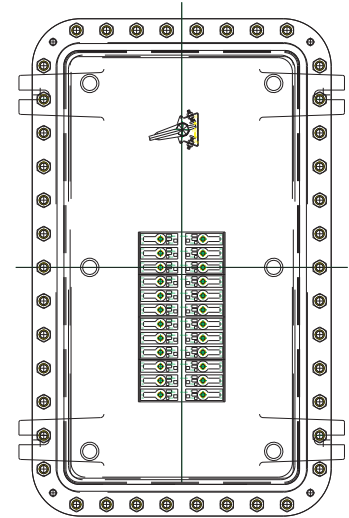
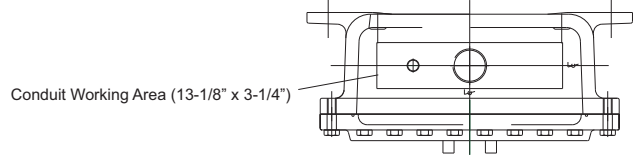
Code	Description
L	MLO - Main Lug Only
M	MCB - Main Circuit Breaker

e = Voltage

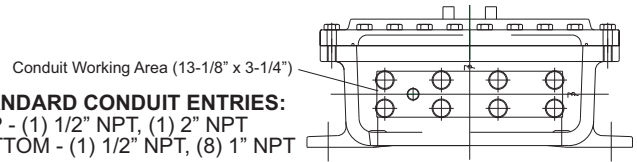
Code	Description
2	120/240
3	120/208
4	277/480

f = Number of Phases

Code	Description
1P	1 Phase
3P	3 Phase



CXJ16306-FC



STANDARD CONDUIT ENTRIES:
 TOP - (1) 1/2" NPT, (1) 2" NPT
 BOTTOM - (1) 1/2" NPT, (8) 1" NPT

g = Number of Breakers

Code	Description
1 through 18 (MCB)	1 to 18 breakers possible
1 through 24 (MLO)	1 to 24 breakers possible

* Number of breakers cannot be greater than number of circuits

h = Amps of Branch Breakers

Code	Description
NOTE:	Specify AMP Requirement

i = Number of Poles of Branch Breakers

Code	Description
1	1
2	2
3	3



Explosion-Proof Lighting & Power Distribution Panel Board Series

"XPBD"

Specifications

XPBD - 24 100 - L 2 1P - 10 20 2
a b c d e f g h i

EXAMPLE:

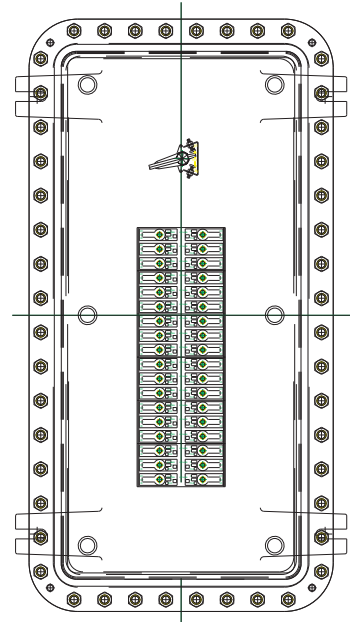
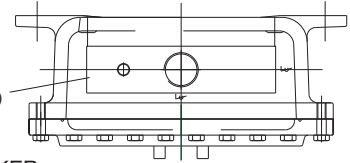
12 CIRCUIT, 120/240V, 1 PHASE,
 3 WIRE, 100A MLO WITH 6 SINGLE
 POLE 20A, 3 TWO POLE 25A
 BREAKERS WILL BE:
 XPBD-12100-L21P-06201-032502G

Note: Repeat g, h & i as necessary
 for different size breakers

NOTES:

- STANDARD HOLES ON THE COVER FOR BREAKER HANDLES
- ONE C10 HANDLE WILL BE SUPPLIED FOR EACH BRANCH BREAKER
- UNUSED HOLES ON THE COVER WILL BE PLUGGED USING XP PLUGS
- ADD "G" AT THE END OF FIVE DIGIT (g, h & i) NUMBER FOR GFI BREAKERS (Only for C10 - opt. adder)
- ONLY CUTLER-HAMMER PANELS WILL BE INSTALLED
- ENCLOSURE IS UL/cUL
- XMPLB - EXTERNAL RESET STANDARD WITH GFCI
- N7 - PHENOLIC NAMEPLATE & E8 - CUSTOM MOUNTING BRACKET STANDARD

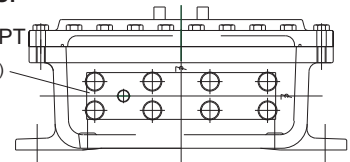
Conduit Working Area (13-1/8" x 3-1/4")



CXJ16366-FC

STANDARD CONDUIT ENTRIES:
 TOP - (1) 1/2" NPT, (1) 2" NPT
 BOTTOM - (1) 1/2" NPT, (8) 1" NPT

Conduit Working Area (13-1/8" x 3-1/4")



a = Enclosure Size

Code	Description
XPBD	CXJ16366-FC-3H2-N4-E3-C*-**C10-2BD-2RP1-8RP3

* - For 100 Amps = "C1" CB Handle, Greater than 100 Amps = "C2" CB Handle
 ** - Specify # of C10 Circuit Breaker Handles

b = Number of Circuits

Code	Description
24	24 Circuits for MCB or MLO
30	30 Circuits for MCB or MLO
36	36 Circuits for MLO

c = MCB or MLO Amps

Code	Description
100A	100 Amps for MCB or MLO
225A	225 Amps for MCB or MLO

d = Main Lug Only

Code	Description
L	MLO - Main Lug Only
M	MCB - Main Circuit Breaker

e = Voltage

Code	Description
2	120/240
3	120/208
4	277/480

f = Number of Phases

Code	Description
1P	1 Phase
3P	3 Phase

g = Number of Breakers

Code	Description
1 through 30 (MCB)	1 to 30 breakers possible
1 through 36 (MLO)	1 to 36 breakers possible

* Number of breakers cannot be greater than number of circuits

h = Amps of Branch Breakers

Code	Description
NOTE:	Specify AMP Requirement

i = Number of Poles of Branch Breakers

Code	Description
1	1
2	2
3	3

Explosion-Proof Lighting & Power Distribution Panel Board Series

"XPBE"

Specifications

XPBE-36 100-L 2 1P-10 20 2
s b c d e f g h i

EXAMPLE:

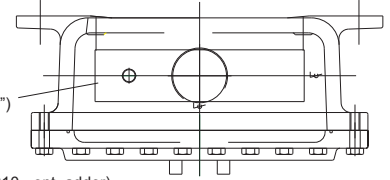
12 CIRCUIT, 120/240V, 1 PHASE, 3 WIRE, 100A MLO WITH 6 SINGLE POLE 20A, 3 TWO POLE 25A BREAKERS WILL BE
 XPBD-12100-L21P-06201-032502G

Note: Repeat g, h & i as necessary for different size breakers

NOTES:

- STANDARD HOLES ON THE COVER FOR BREAKER HANDLES
- ONE C10 HANDLE WILL BE SUPPLIED FOR EACH BRANCH BREAKER
- UNUSED HOLES ON THE COVER WILL BE PLUGGED USING XP PLUGS
- ADD "G" AT THE END OF FIVE DIGIT (g, h & i) NUMBER FOR GFI BREAKERS (Only for C10 - opt. adder)
- ONLY CUTLER-HAMMER PANELS WILL BE INSTALLED
- ENCLOSURE IS UL/cUL
- XMPLB - EXTERNAL RESET STANDARD WITH GFCI
- N7 - PHENOLIC NAMEPLATE & E8 - CUSTOM MOUNTING BRACKET STANDARD

Conduit Working Area (13-1/8" x 3-1/4")



a = Enclosure Size

Code	Description
XPBE	CXJ16426-FC-3H2-N4-E3-C-**-C10-2BD-2RP1-10RP3

* - For 100 Amps = "C1" CB Handle, Greater than 100 Amps = "C2" CB Handle
 ** - Specify # of C10 Circuit Breaker Handles

b = Number of Circuits

Code	Description
36	36 Circuits for MCB or MLO
42	42 Circuits for MLO

c = MCB or MLO Amps

Code	Description
100A	100 Amps for MCB
225A	225 Amps for MCB or MLO

d = Main Lug Only

Code	Description
L	MLO - Main Lug Only
M	MCB - Main Circuit Breaker

e = Voltage

Code	Description
2	120/240
3	120/208
4	277/480

f = Number of Phases

Code	Description
1P	1 Phase
3P	3 Phase

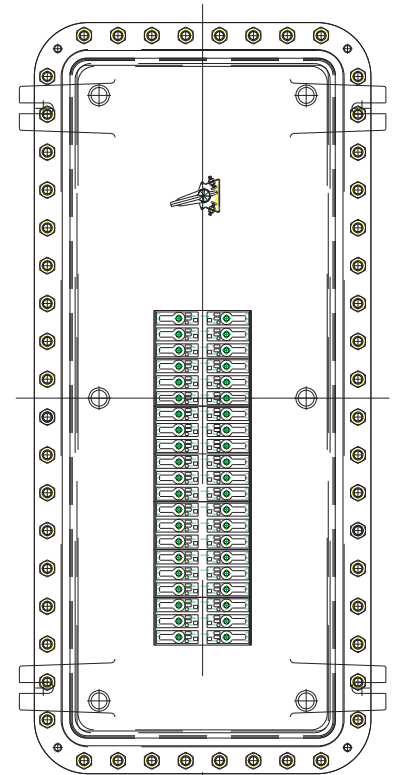
g = Number of Breakers

Code	Description
1 through 36 (MCB)	1 to 36 breakers possible
1 through 42 (MLO)	1 to 42 breakers possible

* Number of breakers cannot be greater than number of circuits

h = Amps of Branch Breakers

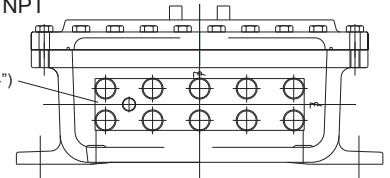
Code	Description
NOTE:	Specify AMP Requirement



CXJ16426-FC

STANDARD CONDUIT ENTRIES:
 Top - (1) 1/2" NPT, (1) 3" NPT
 Bottom - (1) 1/2" NPT, (10) 1" NPT

Conduit Working Area (13-1/8" x 3-1/4")



i = Number of Poles of Branch Breakers

Code	Description
1	1
2	2
3	3

Explosion-Proof Circuit Breaker Series



XCB/XND/XFD Series...pgs. 124-129

Circuit Breakers
Non-Fused Disconnects
Fused Disconnects

X
P
C
B
&
D
I
S
C

Explosion-Proof Circuit Breaker Series

“Akron Electric Circuit Breakers have been proven in the industry for years. You can trust us to provide a great product at a great price.”

Features:

- External Machined Flange Joint Design
- Integral Cast Mounting Feet
- Captive Quick Thread Cover Bolts (“-E3”) (Optional)
- Stainless Steel Operating Shaft for Corrosion Resistance
- Operating Handle does not interfere with tripping of Breaker Handle
- Aluminum Mounting Pans are predrilled for Breaker specified
- Breakers available: ABB, Cutler-Hammer (Consult Factory for other brands)
- Enclosures available with or without breakers
- Line and load outlets standard
- Stainless Steel Shot or Sandblasted natural finish

Materials:

- Body & Cover: Copper-Free Cast Aluminum (less than 0.25% copper content)
- Cover Bolts: Stainless Steel Cover Bolts (“-N5”) (Standard)
- Hinges: Cast-Aluminum or S.S. Hinges with S.S. Hardware (Standard)
- NEMA 4 O-Ring: Buna-N (Optional)
- Breather / Drain (BD): Universal Breather or Drain (Optional)
- Specify 2BD for Breather & Drain



Certificate
Number
03.059.1

**ISO
9001 With Design**

Approvals:

- Classified by Underwriters Laboratories, Inc. as to Explosion and Fire Hazard Only. Enclosure for use in:
 - Class I, Groups B, C & D
 - Class II, Groups E, F & G
 - Type 4X (When specified)

Compliances:

- CL. I, Div. 1 & 2 Groups B, C & D
- CL. II, Div. 1 & 2 Groups E, F & G
- CL. III
- NEMA 3, 4X, 7 & 9



ATEX Certification: (Optional)

If ATEX Certification is required, **Consult Factory.**

Certain Features are added to the Circuit Breaker Series if ATEX is required:

- Metric Cover Bolts
- External Ground Screw
- If NEMA 4 O-ring is required, IP 66 Rating Applies



Explosion-Proof Circuit Breaker Series

"XCB" Order Information

Specifications

XCB 2 - 1 3 4 070 C - N4
a b c d e f g h

a = Explosion-Proof Disconnect Enclosure

Code	Description
XCB	Circuit Breaker

b = Enclosure Size

Code	Enclosure Internal Dimensions
1	6 x 10 x 4
2	6 x 13 x 5
3	6 x 16 x 4
4	7 x 18 x 5
5	12 x 24 x 6
6	12 x 30 x 6
7	12 x 46 x 8

*Note: Alternate sizes available if required. Consult Factory

c = Disconnect Frame Size

Code	Description
1	100 AMP
15	150 AMP
2	250 AMP (Min. Size 4)
4	400 AMP (Min. Size 5)
6	600 AMP (Min. Size 6)
8	800 AMP

Note: See following pages for specifics on XND & XFD

d = Number of Poles

Code	Description
2	2 Poles
3	3 Poles

*Note: For 1 Pole Circuit Breakers - Consult Factory

e = Disconnect Voltage

Code	Description
2	240 V (Max. 100 Amp Frame)
4	480 V (Max. 100 Amp Frame)
6	600 V (150 Amp Frame & Above)

f = Trip or Fuse Rating

Code	Description
015	15 AMP
020	20 AMP
025	25 AMP
030	30 AMP
035	35 AMP
040	40 AMP
050	50 AMP
060	60 AMP (Max. Size 1)
070	70 AMP
080	80 AMP
090	90 AMP
100	100 AMP (Max. Size 2)
125	125 AMP
150	150 AMP (Max. Size 3)
175	175 AMP
200	200 AMP
225	225 AMP
250	250 AMP (Max. Size 4)
300	300 AMP
350	350 AMP
400	400 AMP (Max. Size 5)
450	450 AMP
500	500 AMP
600	600 AMP (Max. Size 6)
700	700 AMP
800	800 AMP

g = Disconnect Manufacturer ID

Code	Description
A	ABB
C	Cutler-Hammer

*Note: For alternate brands - Consult Factory

h = Modifications / Optional Adders

Code	Description
BD	Breather Drain
E1	Corrosion Res. Epoxy Coating (Outside)
E2	Corrosion Res. Epoxy Coating (In & Outside)
N4	NEMA 4 O-Ring Gasket
N6	Metallic Name Plate
N7	Phenolic Name Plate
N8	Custom Name Plate (Anodized/S.Steel)

X
P
C
B
&
D
I
S
C

Explosion-Proof Circuit Breaker Series

CIRCUIT BREAKERS

100 AMP FRAME - 240 VOLT - 10,000 AMP INTERRUPTING - NON-INTERCHANGEABLE TRIP

RATING AMP	CATALOG NUMBER		CONDUIT SIZE		WEIGHT(LBS.)	
	2-POLE	3-POLE	STD.	MAX.	2-POLE	3-POLE
15	XCB1-122015*	XCB1-132015*	1-1/4	2	30	32
20	XCB1-122020*	XCB1-132020*	1-1/4	2	30	32
25	XCB1-122025*	XCB1-132025*	1-1/4	2	30	32
30	XCB1-122030*	XCB1-132030*	1-1/4	2	30	32
35	XCB1-122035*	XCB1-132035*	1-1/4	2	30	32
40	XCB1-122040*	XCB1-132040*	1-1/4	2	30	32
50	XCB1-122050*	XCB1-132050*	1-1/4	2	30	32
60	XCB1-122060*	XCB1-132060*	1-1/4	2	30	32
70	XCB2-122070*	XCB2-132070*	1-1/2	2	39	41
80	XCB2-122080*	XCB2-132080*	1-1/2	2	39	41
90	XCB2-122090*	XCB2-132090*	1-1/2	2	39	41
100	XCB2-122100*	XCB2-132100*	1-1/2	2	39	41

100 AMP FRAME - 480 VOLT - 14,000 AMP INTERRUPTING - NON-INTERCHANGEABLE TRIP

RATING AMP	CATALOG NUMBER		CONDUIT SIZE		WEIGHT(LBS.)	
	2-POLE	3-POLE	STD.	MAX.	2-POLE	3-POLE
15	XCB1-124015*	XCB1-134015*	1-1/4	2	30	32
20	XCB1-124020*	XCB1-134020*	1-1/4	2	30	32
25	XCB1-124025*	XCB1-134025*	1-1/4	2	30	32
30	XCB1-124030*	XCB1-134030*	1-1/4	2	30	32
35	XCB1-124035*	XCB1-134035*	1-1/4	2	30	32
40	XCB1-124040*	XCB1-134040*	1-1/4	2	30	32
50	XCB1-124050*	XCB1-134050*	1-1/4	2	30	32
60	XCB1-124060*	XCB1-134060*	1-1/4	2	30	32
70	XCB2-124070*	XCB2-134070*	1-1/2	2	39	41
80	XCB2-124080*	XCB2-134080*	1-1/2	2	39	41
90	XCB2-124090*	XCB2-134090*	1-1/2	2	39	41
100	XCB2-124100*	XCB2-134100*	1-1/2	2	39	41

150 AMP FRAME - 600 VOLT - 14,000 AMP INTERRUPTING - NON-INTERCHANGEABLE TRIP

RATING AMP	CATALOG NUMBER		CONDUIT SIZE		WEIGHT(LBS.)	
	2-POLE	3-POLE	STD.	MAX.	2-POLE	3-POLE
15	XCB1-1526015*	XCB1-1536015*	1-1/4	2	30	32
20	XCB1-1526020*	XCB1-1536020*	1-1/4	2	30	32
25	XCB1-1526025*	XCB1-1536025*	1-1/4	2	30	32
30	XCB1-1526030*	XCB1-1536030*	1-1/4	2	30	32
35	XCB1-1526035*	XCB1-1536035*	1-1/4	2	30	32
40	XCB1-1526040*	XCB1-1536040*	1-1/4	2	30	32
50	XCB1-1526050*	XCB1-1536050*	1-1/4	2	30	32
60	XCB1-1526060*	XCB1-1536060*	1-1/4	2	30	32
70	XCB2-1526070*	XCB2-1536070*	1-1/2	2	39	41
80	XCB2-1526080*	XCB2-1536080*	1-1/2	2	39	41
90	XCB2-1526090*	XCB2-1536090*	1-1/2	2	39	41
100	XCB2-1526100*	XCB2-1536100*	1-1/2	2	39	41
125	XCB3-1526125*	XCB3-1536125*	1-1/2	2	45	47
150	XCB3-1526150*	XCB3-1536150*	1-1/2	2	45	47



Explosion-Proof Circuit Breaker Series

CIRCUIT BREAKERS

250 AMP FRAME - 600 VOLT - 18,000 AMP INTERRUPTING

RATING AMP	CATALOG NUMBER		CONDUIT SIZE		WEIGHT (LBS.)
	2-POLE	3-POLE	STD.	MAX.	
70	XCB4-226070*	XCB4-236070*	2	2-1/2	65
90	XCB4-226090*	XCB4-236090*	2	2-1/2	65
100	XCB4-226100*	XCB4-236100*	2	2-1/2	65
125	XCB4-226125*	XCB4-236125*	2	2-1/2	65
150	XCB4-226150*	XCB4-236150*	2-1/2	2-1/2	65
175	XCB4-226175*	XCB4-236175*	2-1/2	2-1/2	65
200	XCB4-226200*	XCB4-236200*	2-1/2	2-1/2	65
225	XCB4-226225*	XCB4-236225*	2-1/2	2-1/2	65
250	XCB4-226250*	XCB4-236250*	3	3	140

400 AMP FRAME - 600 VOLT - 22,000 AMP INTERRUPTING

RATING AMP	CATALOG NUMBER		CONDUIT SIZE		WEIGHT (LBS.)
	2-POLE	3-POLE	STD.	MAX.	
125	XCB5-426125*	XCB5-436125*	2-1/2	3	145
150	XCB5-426150*	XCB5-436150*	2-1/2	3	145
175	XCB5-426175*	XCB5-436175*	2-1/2	3	145
200	XCB5-426200*	XCB5-436200*	2-1/2	3	145
225	XCB5-426225*	XCB5-436225*	2-1/2	3	145
250	XCB5-426250*	XCB5-436250*	2-1/2	3	145
300	XCB5-426300*	XCB5-436300*	3	4	145
350	XCB5-426350*	XCB5-436350*	3	4	145
400	XCB5-426400*	XCB5-436400*	3	4	145

600 AMP FRAME - 600 VOLT - 22,000 AMP INTERRUPTING

RATING AMP	CATALOG NUMBER		CONDUIT SIZE		WEIGHT (LBS.)
	2-POLE	3-POLE	STD.	MAX.	
450	XCB6-626450*	XCB6-636450*	4	4	190
500	XCB6-626500*	XCB6-636500*	4	4	190
600	XCB6-626600*	XCB6-636600*	4	4	190

800 AMP FRAME - 600 VOLT - 22,000 AMP INTERRUPTING

RATING AMP	CATALOG NUMBER		CONDUIT SIZE		WEIGHT (LBS.)
	2-POLE	3-POLE	STD.	MAX.	
300	XCB7-826300*	XCB7-836300*	3	4	280
350	XCB7-826350*	XCB7-836350*	3	4	280
400	XCB7-826400*	XCB7-836400*	3	4	280
450	XCB7-826450*	XCB7-836450*	4	4	280
500	XCB7-826500*	XCB7-836500*	4	4	280
600	XCB7-826600*	XCB7-836600*	4	4	280
700	XCB7-826700*	XCB7-836700*	4	4	280
800	XCB7-826800*	XCB7-836800*	4	4	280

1025 Eagon Street Barberton, Ohio 44203 Ph: 330-745-8891 Fax: 330-745-2504
 www.AkronElectric.Com E-Mail: Sales@AkronElectric.Com

X
P
C
B
&
D
I
S
C

Explosion-Proof Disconnect Series

NON-FUSED DISCONNECT

100-200 AMP - 600 VOLT - NON-FUSED DISCONNECT

RATING AMP	CATALOG NUMBER 3-POLE	CONDUIT SIZE		WEIGHT (LBS.)
		STD.	MAX.	
30	XND1-136030*	1-1/4	2	30
60	XND1-136060*	1-1/4	2	30
100	XND2-136100*	1-1/4	2	45
200	XND3-236200W*	2-1/2	3	57

Note: XND3 available in Westinghouse disconnect only

FUSED DISCONNECT

100 AMP - 600 VOLT - FUSED DISCONNECT (3 CLASS "J" FUSES ARE INCLUDED)

RATING AMP	CATALOG NUMBER 3-POLE	CONDUIT SIZE		WEIGHT (LBS.)
		STD.	MAX.	
30	XFD8-136030*	1-1/4	2	45
60	XFD8-136060*	1-1/4	2	45
100	XFD9-136100*	1-1/4	2	65

X
P
C
B
&
D
I
S
C



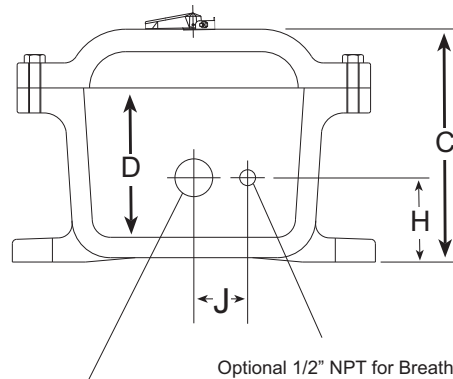
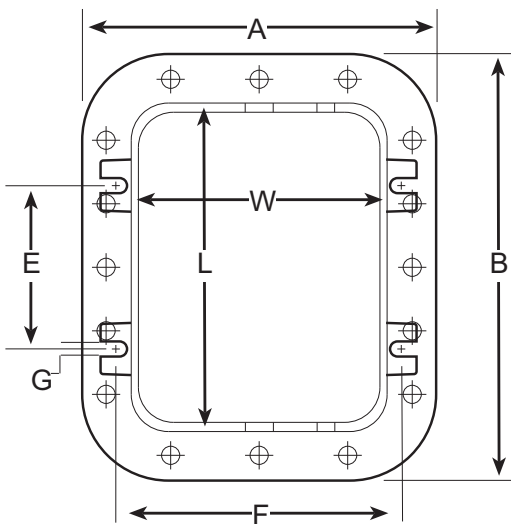
Explosion-Proof Circuit Breaker Series

CIRCUIT BREAKERS & DISCONNECTS

ENCLOSURE ONLY INFORMATION

ENCLOSURE CAT. SIZE	INSIDE DIM.			OUTSIDE DIM.			MTG. DIM.			BOLT SIZE		CONDUIT			WEIGHT (LBS.)
	W	L	D	A	B	C	E	F	G	STD. SIZE	J	H			
XCB1*	6	10	4	10	14	7-3/8	6-1/2	9-1/8	3/8	1-1/2	1-1/4	2-3/8	28		
XCB2*	6	13	5	10	17	8-1/2	9-1/2	9-1/8	3/8	1-1/2	1-1/2	2-7/8	38		
XCB3*	6	16	4	10-1/2	20-1/2	7-9/16	12-1/8	9-1/8	3/8	1-1/2	1-1/2	2-1/2	42		
XCB4*	7	18	5	11-1/2	21-1/2	9-9/16	14-1/2	9-3/4	3/8	1-3/4	2	3	52		
XCB5*	12	24	6	17-1/8	29-1/8	10-1/2	18-3/4	15-3/4	1/2	3	3	3-3/4	140		
XCB6*	12	30	6	17	35	11	23	15-3/4	1/2	3	4	3-3/4	165		
XCB7*	12	46	8	17-1/8	51-1/8	14	39	15-3/4	1/2	3	4	4-7/8	260		
XFD8*	8	12	4	12-1/2	16-1/2	7	8-5/8	10-3/4	3/8	2	1-1/4	2-1/2	40		
XFD9*	10	14	6	17	7-1/2	8-1/2	14-1/8	15-3/4	3/8	2-1/2	1-1/2	3-5/8	60		
XND1*	6	10	4	10	14	7-3/8	6-1/2	9-1/8	3/8	1-1/2	1-1/4	2-3/8	28		
XND2*	6	13	5	10	17	8-1/2	9-1/2	9-1/8	3/8	1-1/2	1-1/2	2-7/8	38		
XND3W*	7	18	5	11-1/2	21-1/2	9-9/16	14-1/2	9-3/4	3/8	2-3/4	2-1/2	2-1/2	52		

Note: Alternate sizes available for custom applications - Consult Factory



Optional 1/2" NPT for Breather & Drain (Top & Bottom)
Standard Conduit Holes (Top & Bottom)

CATALOG NUMBER INFORMATION

XCB 2 - 1 3 4 070 C - N4 - N5

Explosion-Proof Disconnect Enclosure

XCB - Circuit Breaker
XND - Non-Fused Disconnect
XFD - Fused Disconnect

Enclosure Size (2)

Disconnect Frame Size (100 AMP)

Number of Poles (3)

Modifications / Options
N4 - NEMA 4X O-Ring
N5 - S.S. Cover Bolts (Std.)

Disconnect Mfg. ID

A = ABB

C = Cutler Hammer - Consult Factory for other Mfg.

Trip or Fuse Rating (70 AMP)

Disconnect Voltage (480)

1025 Eagon Street Barberton, Ohio 44203 Ph: 330-745-8891 Fax: 330-745-2504
www.AkronElectric.Com E-Mail: Sales@AkronElectric.Com

Explosion-Proof Motor Starter Series



● **XNAS Series.....pgs. 132-134**
Non-Reversing Starters



● **XRAS Series.....pgs. 135-137**
Reversing Starters



● **XNTC/XNMC Series...pgs. 138-142**
Non-Reversing - COMBINATION
Thermal Magnetic / Magnetic Only Starters



● **XRTC/XRMC Series.....pgs. 143-146**
Reversing - COMBINATION
Thermal Magnetic / Magnetic Only Starters

X
P
M
O
T
O
R
S
T



Explosion-Proof Motor Starter Series



“Call Akron Electric for all of your Motor Starter needs. You can trust us to provide a great product with a lead time that challenges the entire industry.”

Features:

- External Machined Flange Joint Design
- Integral Cast Mounting Feet
- Captive Quick Thread Cover Bolts (“-E3”) (Optional)
- Stainless Steel Operating Shaft for Corrosion Resistance
- Breaker Operating Mechanism can be locked in “ON” or “OFF” position
- Operating Handle does not interfere with tripping of breaker
- Ample Wiring Space for Wire Bending
- For Non-Fused & Fused Disconnect Combinations, (C/F)
- Available Space for CPT, Terminal Blocks & Relays
- Aluminum Mounting Pans are predrilled for specified Starter (C/F)
- Breakers/Starters available: ABB, Cutler-Hammer (C/F for other brands)
- Enclosures available with or without breakers / starters
- Standard Outlets are Determined by Motor Starter Size
- Additional 3/4” NPT Outlet for Remote Control Wiring
- (3) Plugged NPSM Openings in Cover for Lights/Switches (Unless otherwise specified)
- Plugged 1/2” NPT Outlets in top & bottom for Breather & Drain (Std.)
- Line and load outlets standard
- Stainless Steel Shot or Sandblasted natural finish
- Consult Factory for Single Phase - Two Pole Starters

Materials:

- Body & Cover: Copper-Free Cast Aluminum (less than 0.25% copper content)
- Cover Bolts: Stainless Steel Cover Bolts (“-N5”) (Standard)
- Cast-Aluminum or S.S. Hinges with Stainless Steel Hardware (Standard)
- Hinges: Cast-Aluminum with Stainless Steel Hardware (Standard)
- NEMA 4 O-Ring: Buna-N (Standard)
- Breather / Drain (BD): Universal Breather or Drain (Optional)
- Specify 2BD for Breather & Drain



Certificate
Number
03.059.1

**ISO
9001 With Design**

Approvals:

Classified by Underwriters Laboratories, Inc. as to Explosion and Fire Hazard Only. Enclosure for use in:

- Class I, Groups B, C & D
- Class II, Groups E, F & G
- Type 4X

Compliances:

- CL. I, Div. 1 & 2 Groups B, C & D
- CL. II, Div. 1 & 2 Groups E, F & G
- CL. III, NEMA 3, 4X, 7 & 9

ATEX Certification: (Optional)

If ATEX Certification is required, **Consult Factory.**

Certain Features are added to the Motor Starter Series if ATEX is required:

- Metric Cover Bolts
- External Ground Screw
- If NEMA 4 O-ring is required, IP 66 Rating Applies

1025 Eagon Street Barberton, Ohio 44203 Ph: 330-745-8891 Fax: 330-745-2504
www.AkronElectric.Com E-Mail: Sales@AkronElectric.Com

Explosion-Proof Motor Starter Series

FULL VOLTAGE NON-REVERSING MOTOR STARTERS



CATALOG NUMBER INFORMATION

Catalog Number : XNAS0-24_003 *- #

(X) Explosion-Proof Enclosure

(N) Non-reversing Starter

(AS) Across The Line Starter

(0) NEMA Size

(24) 240 Voltage Rating

(24) = 230/240 (48) = 460/480 (60) = 575/600 (38) = 380 V, 50 Hz

(003) Horsepower Rating

(*) Symbol For Starter Brand - A = ABB, C = Cutler Hammer

Note: Consult Factory for other brands

(#) See Modification Page for Additional Items

Note: When enclosure only is ordered, please provide part number & brand of Starter



Explosion-Proof Motor Starter Series

FULL VOLTAGE NON-REVERSING MOTOR STARTERS

230 / 240 VOLT - 60 Hz - 3 Phase

NEMA SIZE	MAX H.P.	CATALOG NO.	CONDUIT STD. SIZE	CONDUIT MAX. SIZE	SHIPPING WT. (EST.)	ENCLOSURE SIZE
0	3	XNAS0-24003*	1	1-1/2	45	A
1	7-1/2	XNAS1-24007*	1	1-1/2	45	A
2	15	XNAS2-24015*	1-1/4	1-1/2	63	B
3	30	XNAS3-24030*	1-1/2	2	145	C
4	50	XNAS4-24050*	3	3	155	D
5	100	XNAS5-24100*	3	3	265	E

380 VOLT - 50 Hz - 3 Phase

NEMA SIZE	MAX H.P.	CATALOG NO.	CONDUIT STD. SIZE	CONDUIT MAX. SIZE	SHIPPING WT. (EST.)	ENCLOSURE SIZE
0	5	XNAS0-38005*	1	1-1/2	45	A
1	10	XNAS1-38010*	1	1-1/2	45	A
2	25	XNAS2-38025*	1-1/4	1-1/2	63	B
3	50	XNAS3-38050*	1-1/2	2	145	C
4	75	XNAS4-38075*	3	3	155	D
5	150	XNAS5-38150*	3	3	265	E

460 / 480 VOLT - 60 Hz - 3 Phase

NEMA SIZE	MAX H.P.	CATALOG NO.	CONDUIT STD. SIZE	CONDUIT MAX. SIZE	SHIPPING WT. (EST.)	ENCLOSURE SIZE
0	5	XNAS0-48005*	1	1-1/2	45	A
1	10	XNAS1-48010*	1	1-1/2	45	A
2	25	XNAS2-48025*	1-1/4	1-1/2	63	B
3	50	XNAS3-48050*	1-1/2	2	145	C
4	100	XNAS4-48100*	3	3	155	D
5	200	XNAS5-48200*	3	3	265	E

575 / 600 VOLT - 60 Hz - 3 Phase

NEMA SIZE	MAX H.P.	CATALOG NO.	CONDUIT STD. SIZE	CONDUIT MAX. SIZE	SHIPPING WT. (EST.)	ENCLOSURE SIZE
0	5	XNAS0-60005*	1	1-1/2	45	A
1	10	XNAS1-60010*	1	1-1/2	45	A
2	25	XNAS2-60025*	1-1/4	1-1/2	63	B
3	50	XNAS3-60050*	1-1/2	2	145	C
4	100	XNAS4-60100*	3	3	155	D
5	200	XNAS5-60200*	3	3	265	E

Explosion-Proof Motor Starter Series

FULL VOLTAGE NON-REVERSING MOTOR STARTERS

ENCLOSURE ONLY ORDERING INFORMATION

To Order the Enclosure **ONLY** (Without Starter):

Use the enclosure **Catalog Number** in the chart below and insert a suffix (A=ABB, C=Cutler-Hammer, C/F for others) for the Starter Mfg.

Example: Part Number = **XNAS0-A**
(Full Voltage Non-Reversing Motor Starter; Size 0; machined for ABB Starter)
ENCLOSURE ONLY with all standard features

DIMENSIONAL INFORMATION

ENCLOSURE CAT NO.	ENCL.	INSIDE DIMS.	A	B	C	D	E	F	G	H	J	K	L	WT.
XNAS0-*	A	8 x 10 x 4	12.50	14.50	6.56	12.00	6.50	10.75	3/8	2.50	2.50	12.81	8.31	41**
XNAS1-*	A	8 x 10 x 4	12.50	14.50	6.56	12.00	6.50	10.75	3/8	2.50	2.50	12.81	8.31	41
XNAS2-*	B	10 x 10 x 6	14.50	14.50	8.75	14.00	6.50	13.00	3/8	3.50	3.50	14.81	10.50	55
XNAS3-*	C	12 x 18 x 6	14.50	23.00	9.50	18.00	14.13	15.75	1/2	3.63	4.00	17.81	11.25	125
XNAS4-*	D	12 x 18 x 8	17.00	23.00	11.50	18.00	14.13	15.75	1/2	4.63	4.00	17.81	13.25	135
XNAS5-*	E	16 x 24 x 8	21.13	29.13	11.88	23.00	18.38	19.75	5/8	4.63	6.00	21.94	13.63	210

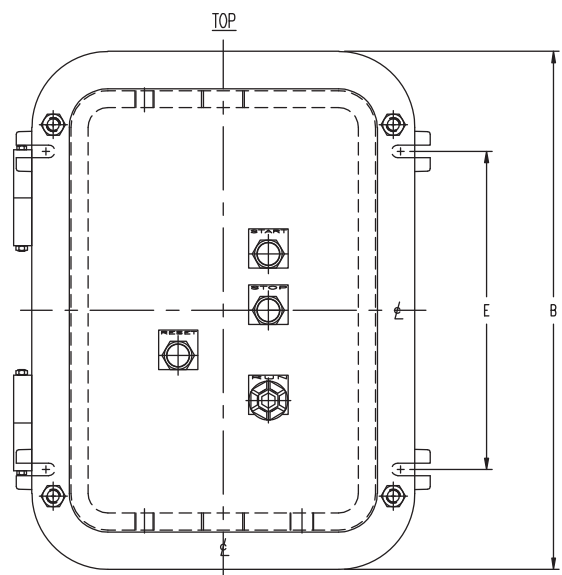
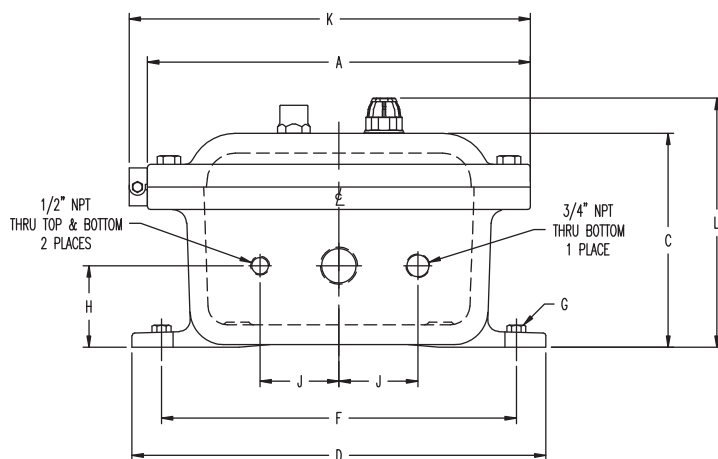
The Enclosure Weight is without transformer

G: Standard Mounting Bolt Diameter

WT: Approximate Shipping Weight (lb.) without skid / pallet

****Note:** Only if no transformer

Note: Alternate sizes available, consult factory



X P M O T O R S T

Note: See chart on previous page for Std. / Max. Conduit Size



Explosion-Proof Motor Starter Series

FULL VOLTAGE REVERSING MOTOR STARTERS



CATALOG NUMBER INFORMATION

Catalog Number : XRAS0-24 003 *- #

(X) Explosion-Proof Enclosure

(R) Reversing Starter

(AS) Across The Line Starter

(0) NEMA Size

(24) 240 Voltage Rating

(24) = 230/240 (48) = 460/480 (60) = 575/600 (38) = 380 V, 50 Hz

(003) Horsepower Rating

(*) Symbol For Starter Brand - A = ABB, C = Cutler Hammer

Note: Consult factory for other brands

(#) See Modification Page for Additional Items

Note: When enclosure only is ordered, please provide part number & brand of Starter

X
P
M
O
T
O
R
S
T

Explosion-Proof Motor Starter Series

FULL VOLTAGE REVERSING MOTOR STARTERS

230 / 240 VOLT - 60 Hz - 3 Phase

NEMA SIZE	MAX H.P.	CATALOG NO.	CONDUIT STD. SIZE	CONDUIT MAX. SIZE	SHIPPING WT. (EST.)	ENCLOSURE SIZE
0	3	XRAS0-24003*	1	1-1/2	75	A
1	7-1/2	XRAS1-24007*	1	1-1/2	75	A
2	15	XRAS2-24015*	1-1/4	1-1/2	145	B
3	30	XRAS3-24030*	1-1/2	2	265	C
4	50	XRAS4-24050*	3	3	280	D
5	100	XRAS5-24100*	3	3	400	E

460 / 480 VOLT - 60 Hz - 3 Phase

NEMA SIZE	MAX H.P.	CATALOG NO.	CONDUIT STD. SIZE	CONDUIT MAX. SIZE	SHIPPING WT. (EST.)	ENCLOSURE SIZE
0	5	XRAS0-48005*	1	1-1/2	75	A
1	10	XRAS1-48010*	1	1-1/2	75	A
2	25	XRAS2-48025*	1-1/4	1-1/2	145	B
3	50	XRAS3-48050*	1-1/2	2	265	C
4	100	XRAS4-48100*	3	3	280	D
5	200	XRAS5-48200*	3	3	400	E

575 / 600 VOLT - 60 Hz - 3 Phase

NEMA SIZE	MAX H.P.	CATALOG NO.	CONDUIT STD. SIZE	CONDUIT MAX. SIZE	SHIPPING WT. (EST.)	ENCLOSURE SIZE
0	5	XRAS0-60005*	1	1-1/2	75	A
1	10	XRAS1-60010*	1	1-1/2	75	A
2	25	XRAS2-60025*	1-1/4	1-1/2	145	B
3	50	XRAS3-60050*	1-1/2	2	265	C
4	100	XRAS4-60100*	3	3	280	D
5	200	XRAS5-60200*	3	3	400	E



Explosion-Proof Motor Starter Series

FULL VOLTAGE REVERSING MOTOR STARTERS

ENCLOSURE ONLY ORDERING INFORMATION

To Order the Enclosure **ONLY** (Without Starter):

Use the enclosure **Catalog Number** in the chart below and insert a suffix (A=ABB, C=Cutler-Hammer, C/F for others) for the Starter Mfg.

Example: Part Number = **XRAS0-A**
 (Full Voltage Reversing Motor Starter; Size 0; machined for ABB Starter)
 ENCLOSURE ONLY with all standard features

DIMENSIONAL INFORMATION

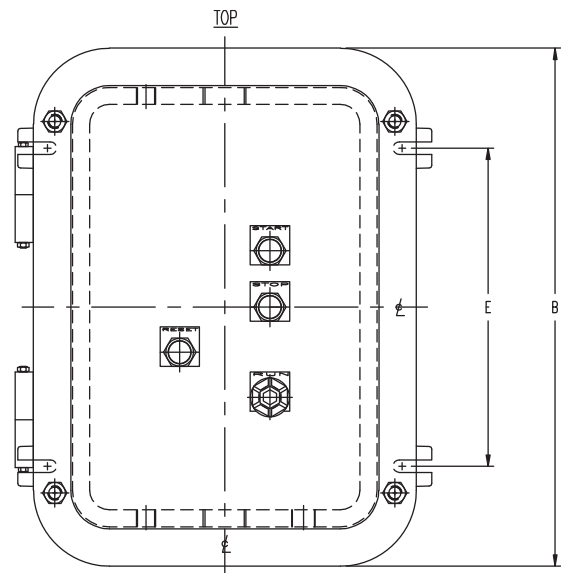
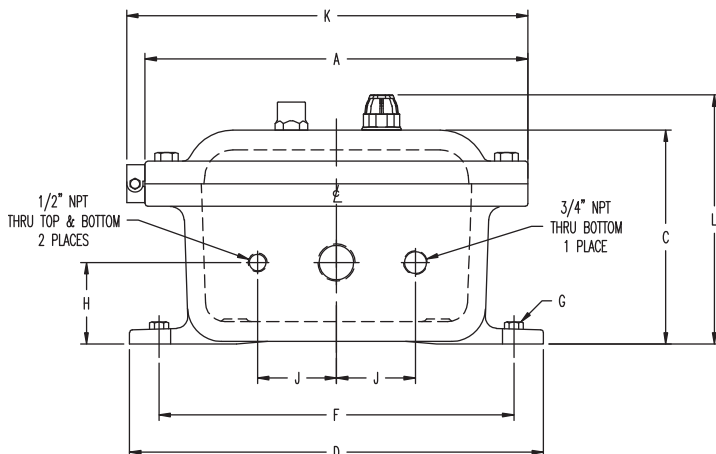
ENCLOSURE CAT NO.	ENCL. DIMS.	INSIDE DIMS.	A	B	C	D	E	F	G	H	J	K	L	WT.
XRAS0-*	A	10 x 14 x 4	14.50	18.50	7.50	14.00	10.63	13.00	3/8	2.63	3.00	14.81	9.25	65
XRAS1-*	A	10 x 14 x 4	14.50	18.50	7.50	14.00	10.63	13.00	3/8	2.63	3.00	14.81	9.25	65
XRAS2-*	B	12 x 18 x 6	17.00	23.00	9.50	18.00	14.13	15.75	1/2	3.63	4.00	17.81	11.25	125
XRAS3-*	C	18 x 24 x 6	23.13	29.13	9.88	25.00	18.38	21.75	5/8	3.75	7.00	23.94	11.63	210
XRAS4-*	D	18 x 24 x 8	23.13	29.13	11.88	25.00	18.38	21.75	5/8	4.75	7.00	23.94	13.63	225
XRAS5-*	E	18 x 30 x 8	23.13	35.13	11.88	25.00	23.00	21.75	5/8	4.75	7.00	23.94	13.63	280

The Enclosure Weight is without transformer

G: Standard Mounting Bolt Diameter

WT: Approximate Shipping Weight (lb.) without skid / pallet

Note: Alternate sizes available, consult factory



Note: See chart on previous page for Std. / Max. Conduit Size

Explosion-Proof Motor Starter Series

COMBINATION FULL VOLTAGE NON-REVERSING MOTOR STARTERS



CATALOG NUMBER INFORMATION

Catalog Number : XNTC0-24 002 015 *- #

(X) Explosion-Proof Enclosure

(N) Non-Reversing Starter

(T) Thermal Magnetic Breaker
Magnetic Only (MCP) (M)

(C) Combination

(0) NEMA Size

(24) 240 Voltage Rating

(24) = 230/240 (48) = 460/480 (60) = 575/600 (38) = 380 V, 50 Hz

(002) Horsepower Rating

(015) Circuit Breaker AMP Rating

(*) Symbol For Starter Brand - A = ABB, C = Cutler Hammer

Note: Consult factory for other brands

(#) See Modification Page for Additional Items

Note: When enclosure only is ordered, please provide part number & brand of Starter

X
P
M
O
T
O
R
S
T



Explosion-Proof Motor Starter Series

COMBINATION FULL VOLTAGE NON-REVERSING MOTOR STARTERS WITH THERMAL-MAGNETIC CIRCUIT BREAKER

230 / 240 VOLT - 60 Hz - 3 Phase

NEMA SIZE	MAX H.P.	BREAKER AMPS	CATALOG NO.	CONDUIT STD. SIZE	CONDUIT MAX. SIZE	SHIPPING WT. (EST.)	ENCLOSURE SIZE
0	2	15	XNTC0-24002015*	1	1-1/2	85	A
0	3	20	XNTC0-24003020*	1	1-1/2	85	A
1	5	40	XNTC1-24005040*	1	1-1/2	85	A
1	7-1/2	50	XNTC1-24007050*	1	1-1/2	85	A
2	10	50	XNTC2-24010050*	1-1/4	1-1/2	147	B
2	15	100	XNTC2-24015100*	1-1/4	1-1/2	147	B
3	20	100	XNTC3-24020100*	1-1/2	2	182	C
3	30	125	XNTC3-24030125*	2	2	182	C
4	40	175	XNTC4-24040175*	2	2	225	D
4	50	200	XNTC4-24050200*	3	3	225	D
5	60	250	XNTC5-24060250*	3	3	465	E
5	75	300	XNTC5-24075300*	3	3	465	E
5	100	400	XNTC5-24100400*	3	3	400	E

380 VOLT - 50 Hz - 3 Phase

NEMA SIZE	MAX H.P.	BREAKER AMPS	CATALOG NO.	CONDUIT STD. SIZE	CONDUIT MAX. SIZE	SHIPPING WT. (EST.)	ENCLOSURE SIZE
0	3	15	XNTC0-38003015*	1	1-1/2	85	A
0	5	20	XNTC0-38005020*	1	1-1/2	85	A
1	10	35	XNTC1-38010035*	1	1-1/2	85	A
2	20	50	XNTC2-38020050*	1-1/4	1-1/2	147	B
2	25	70	XNTC2-38025070*	1-1/4	1-1/2	147	B
3	50	100	XNTC3-38050100*	1-1/2	2	182	C
4	60	125	XNTC4-38060125*	2	2	225	D
4	75	150	XNTC4-38075150*	2	2	225	D
5	125	250	XNTC5-38125250*	3	3	465	E
5	150	300	XNTC5-38150300*	3	3	465	E

X
P
M
O
T
O
R
S
T

Explosion-Proof Motor Starter Series

COMBINATION FULL VOLTAGE NON-REVERSING MOTOR STARTERS WITH THERMAL-MAGNETIC CIRCUIT BREAKER

460 / 480 VOLT - 60 Hz - 3 Phase

NEMA SIZE	MAX H.P.	BREAKER AMPS	CATALOG NO.	CONDUIT STD. SIZE	CONDUIT MAX. SIZE	SHIPPING WT. (EST.)	ENCLOSURE SIZE
0	3	15	XNTC0-48003015*	1	1-1/2	85	A
0	5	20	XNTC0-48005020*	1	1-1/2	85	A
1	7-1/2	30	XNTC1-48007030*	1	1-1/2	85	A
1	10	35	XNTC1-48010035*	1	1-1/2	85	A
2	20	50	XNTC2-48020050*	1-1/4	1-1/2	147	B
2	25	70	XNTC2-48025070*	1-1/4	1-1/2	147	B
3	50	100	XNTC3-48050100*	1-1/2	2	182	C
4	60	125	XNTC4-48060125*	2	2	225	D
4	75	150	XNTC4-48075150*	2	2	225	D
4	100	200	XNTC4-48100200*	3	3	225	D
5	125	250	XNTC5-48125250*	3	3	465	E
5	150	300	XNTC5-48150300*	3	3	465	E
5	200	400	XNTC5-48200400*	3	3	465	E

575 / 600 VOLT - 60 Hz - 3 Phase

NEMA SIZE	MAX H.P.	BREAKER AMPS	CATALOG NO.	CONDUIT STD. SIZE	CONDUIT MAX. SIZE	SHIPPING WT. (EST.)	ENCLOSURE SIZE
0	5	15	XNTC0-60005015*	1	1-1/2	85	A
1	7-1/2	20	XNTC1-60007020*	1	1-1/2	85	A
1	10	30	XNTC1-60010030*	1	1-1/2	85	A
2	15	40	XNTC2-60015040*	1-1/4	1-1/2	147	B
2	25	50	XNTC2-60025050*	1-1/4	1-1/2	147	B
3	30	70	XNTC3-60030070*	1-1/2	2	182	C
3	50	100	XNTC3-60050100*	1-1/2	2	182	C
4	75	125	XNTC4-60075125*	2	2	225	D
4	100	150	XNTC4-60100150*	3	3	225	D
5	150	250	XNTC5-60150250*	3	3	465	E
5	200	300	XNTC5-60200300*	3	3	465	E

X
P
M
O
T
O
R
S
T



Explosion-Proof Motor Starter Series

COMBINATION FULL VOLTAGE NON-REVERSING MOTOR STARTERS WITH MAGNETIC ONLY (MCP) CIRCUIT BREAKER

230 / 240 VOLT - 60 Hz - 3 Phase

NEMA SIZE	MAX H.P.	BREAKER AMPS	CATALOG NO.	CONDUIT STD. SIZE	CONDUIT MAX. SIZE	SHIPPING WT. (EST.)	ENCLOSURE SIZE
0	1	7	XNMC0-24001007*	1	1-1/2	85	A
0	3	15	XNMC0-24003015*	1	1-1/2	85	A
1	7-1/2	30	XNMC1-24007030*	1	1-1/2	85	A
2	15	50	XNMC2-24015050*	1-1/4	1-1/2	147	B
3	30	100	XNMC3-24030100*	1-1/2	2	182	C
4	50	150	XNMC4-24050150*	3	3	225	D
5	100	400	XNMC5-24100400*	3	3	465	E

460 / 480 VOLT - 60 Hz - 3 Phase

NEMA SIZE	MAX H.P.	BREAKER AMPS	CATALOG NO.	CONDUIT STD. SIZE	CONDUIT MAX. SIZE	SHIPPING WT. (EST.)	ENCLOSURE SIZE
0	1	3	XNMC0-48001003*	1	1-1/2	85	A
0	3	7	XNMC0-48003007*	1	1-1/2	85	A
0	5	15	XNMC0-48005015*	1	1-1/2	85	A
1	7-1/2	15	XNMC1-48007015*	1	1-1/2	85	A
1	10	30	XNMC1-48010030*	1	1-1/2	85	A
2	15	30	XNMC2-48015030*	1-1/4	1-1/2	147	B
2	25	50	XNMC2-48025050*	1-1/4	1-1/2	147	B
3	30	50	XNMC3-48030050*	1-1/2	2	182	C
3	50	100	XNMC3-48050100*	1-1/2	2	182	C
4	100	150	XNMC4-48100150*	2	2	225	D
5	200	400	XNMC5-48200400*	3	3	465	E

575 / 600 VOLT - 60 Hz - 3 Phase

NEMA SIZE	MAX H.P.	BREAKER AMPS	CATALOG NO.	CONDUIT STD. SIZE	CONDUIT MAX. SIZE	SHIPPING WT. (EST.)	ENCLOSURE SIZE
0	1	3	XNMC0-60001003*	1	1-1/2	85	A
0	3	7	XNMC0-60003007*	1	1-1/2	85	A
0	5	15	XNMC0-60005015*	1	1-1/2	85	A
1	7-1/2	15	XNMC1-60007015*	1	1-1/2	85	A
1	10	30	XNMC1-60010030*	1	1-1/2	85	A
2	20	30	XNMC2-60020030*	1-1/4	1-1/2	147	B
2	25	50	XNMC2-60025050*	1-1/4	1-1/2	147	B
3	40	50	XNMC3-60040050*	1-1/2	2	182	C
3	50	100	XNMC3-60050100*	1-1/2	2	182	C
4	60	100	XNMC4-60060100*	2	2	225	D
4	100	150	XNMC4-60100150*	3	3	225	D
5	125	400	XNMC5-60125400*	3	3	465	E
5	200	400	XNMC5-60200400*	3	3	465	E

1025 Eagon Street Barberton, Ohio 44203 Ph: 330-745-8891 Fax: 330-745-2504
www.AkronElectric.Com E-Mail: Sales@AkronElectric.Com

Explosion-Proof Motor Starter Series

COMBINATION FULL VOLTAGE NON-REVERSING MOTOR STARTERS

ENCLOSURE ONLY ORDERING INFORMATION

To Order the Enclosure **ONLY** (Without Starter):

Use the enclosure **Catalog Number** in the chart below and insert a suffix (A=ABB, C=Cutler-Hammer, C/F for others) for the Starter Mfg.

Example: Part Number = **XNMC0-A**

(Full Voltage Non-Reversing Combination Motor Starter; Size 0; machined for ABB Starter)

ENCLOSURE ONLY with all standard features

DIMENSIONAL INFORMATION - COMBO FULL VOLTAGE NON-REVERSING STARTERS WITH THERMAL-MAGNETIC CIRCUIT BREAKER

ENCLOSURE CAT NO.	ENCL.	INSIDE DIMS.	A	B	C	D	E	F	G	H	J	K	L	WT.
XNTC0-*	A	10 x 14 x 6	14.50	18.50	9.50	14.00	10.63	13.00	3/8	3.63	3.00	14.81	11.25	72
XNTC1-*	A	10 x 14 x 6	14.50	18.50	9.50	14.00	10.63	13.00	3/8	3.63	3.00	14.81	11.25	72
XNTC2-*	B	12 x 18 x 6	17.00	23.00	9.50	18.00	14.13	15.75	1/2	3.63	4.00	17.81	11.25	125
XNTC3-*	C	12 x 24 x 6	17.13	29.13	9.63	18.00	18.75	15.75	1/2	3.75	4.00	17.94	11.38	152
XNTC4-*	D	12 x 30 x 6	17.00	35.00	9.63	18.00	23.00	15.75	1/2	3.75	4.00	17.81	11.38	185
XNTC5-*	E	16 x 46 x 10	21.13	51.13	13.75	23.00	39.00	19.75	5/8	6.00	5.00	21.94	15.50	385

DIMENSIONAL INFORMATION - COMBO FULL VOLTAGE NON-REVERSING STARTERS WITH MAGNETIC ONLY CIRCUIT BREAKER (MCP)

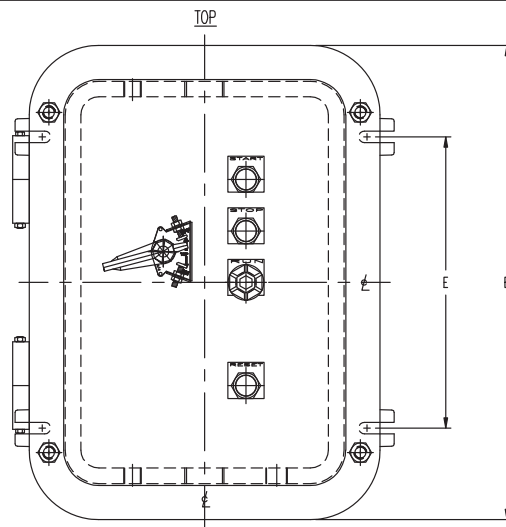
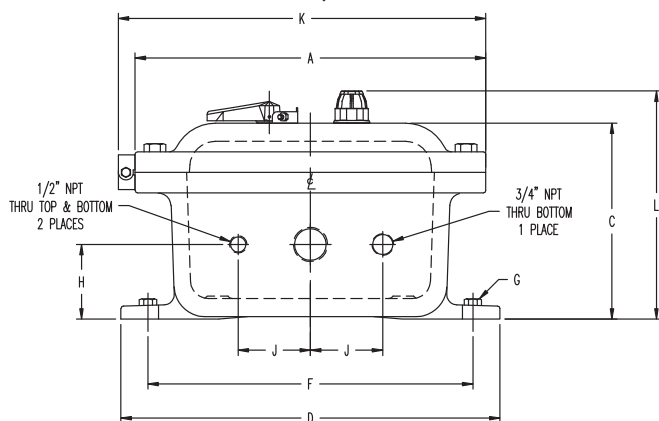
ENCL. CAT NO.	ENCL.	INSIDE DIMS.	A	B	C	D	E	F	G	H	J	K	L	WT.
XNMC0-*	A	10 x 14 x 6	14.50	18.50	9.50	14.00	10.63	13.00	3/8	3.63	3.00	14.81	11.25	72
XNMC1-*	A	10 x 14 x 6	14.50	18.50	9.50	14.00	10.63	13.00	3/8	3.63	3.00	14.81	11.25	72
XNMC2-*	B	12 x 18 x 6	17.00	23.00	9.50	18.00	14.13	15.75	1/2	3.63	4.00	17.81	11.25	125
XNMC3-*	C	12 x 24 x 6	17.13	29.13	9.63	18.00	18.75	15.75	1/2	3.75	4.00	17.94	11.38	152
XNMC4-*	D	12 x 30 x 6	17.00	35.00	9.63	18.00	23.00	15.75	1/2	3.75	4.00	17.81	11.38	185
XNMC5-*	E	16 x 46 x 10	21.13	51.13	13.75	23.00	39.00	19.75	5/8	6.00	5.00	21.94	15.50	385

The Enclosure Weight is without transformer

G: Standard Mounting Bolt Diameter

WT: Approximate Shipping Weight (lb.) without skid / pallet

Note: Alternate sizes available, consult factory



Note: See chart on previous page(s) for Std. / Max. Conduit Size



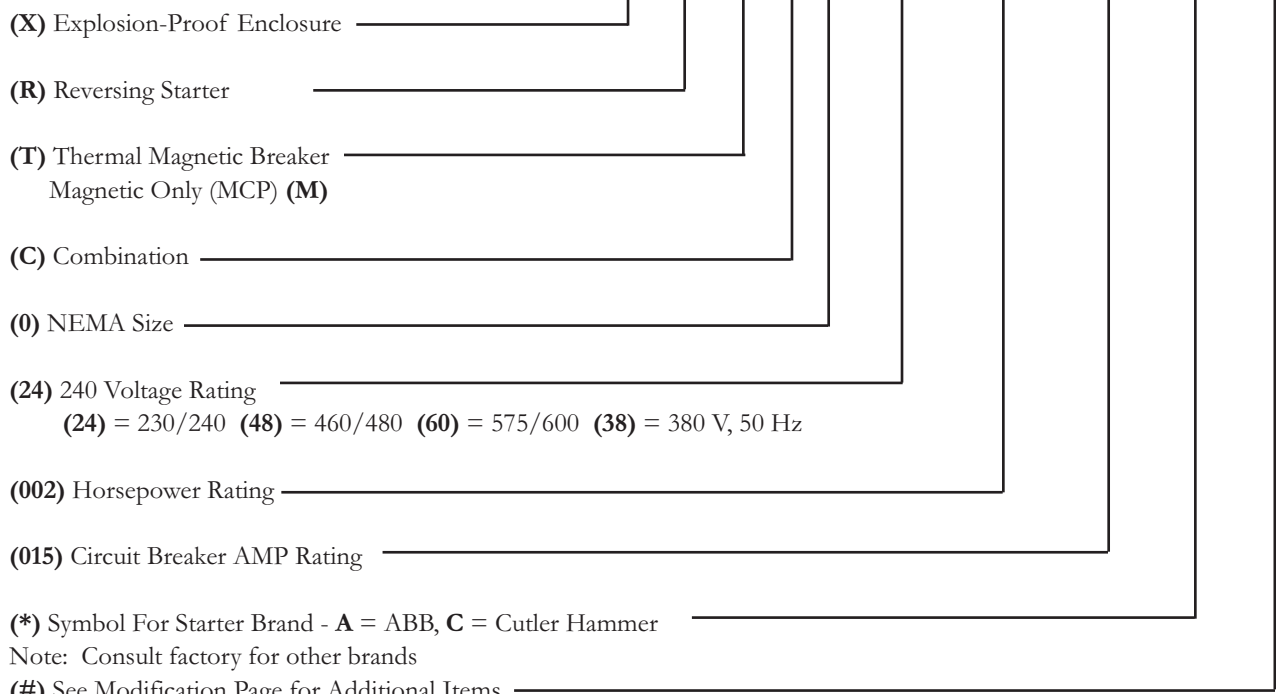
Explosion-Proof Motor Starter Series

COMBINATION FULL VOLTAGE REVERSING MOTOR STARTERS



CATALOG NUMBER INFORMATION

Catalog Number : XRTC0- 24 002 015 *- #



Note: When enclosure only is ordered, please provide part number & brand of Starter

1025 Eagon Street Barberton, Ohio 44203 Ph: 330-745-8891 Fax: 330-745-2504
www.AkronElectric.Com E-Mail: Sales@AkronElectric.Com

X
P
M
O
T
O
R
S
T

Explosion-Proof Motor Starter Series

COMBINATION FULL VOLTAGE REVERSING MOTOR STARTERS WITH THERMAL-MAGNETIC CIRCUIT BREAKER

230 / 240 VOLT - 60 Hz - 3 Phase

NEMA SIZE	MAX H.P.	BREAKER AMPS	CATALOG NO.	CONDUIT STD. SIZE	CONDUIT MAX. SIZE	SHIPPING WT. (EST.)	ENCLOSURE SIZE
0	2	15	XRTC0-24002015*	1	1-1/2	85	A
0	3	20	XRTC0-24003020*	1	1-1/2	85	A
1	5	40	XRTC1-24005040*	1	1-1/2	85	A
1	7-1/2	50	XRTC1-24007050*	1	1-1/2	85	A
2	10	50	XRTC2-24010050*	1-1/4	1-1/2	147	B
2	15	100	XRTC2-24015100*	1-1/4	1-1/2	147	B
3	20	100	XRTC3-24020100*	1-1/2	2	182	C
3	30	125	XRTC3-24030125*	2	2	182	C
4	40	175	XRTC4-24040175*	2	2	225	D
4	50	200	XRTC4-24050200*	3	3	225	D
5	60	250	XRTC5-24060250*	3	3	465	E
5	75	300	XRTC5-24075300*	3	3	465	E
5	100	400	XRTC5-24100400*	3	3	400	E

460 / 480 VOLT - 60 Hz - 3 Phase

NEMA SIZE	MAX H.P.	BREAKER AMPS	CATALOG NO.	CONDUIT STD. SIZE	CONDUIT MAX. SIZE	SHIPPING WT. (EST.)	ENCLOSURE SIZE
0	3	15	XRTC0-48003015*	1	1-1/2	85	A
0	5	20	XRTC0-48005020*	1	1-1/2	85	A
1	7-1/2	30	XRTC1-48007030*	1	1-1/2	85	A
1	10	35	XRTC1-48010035*	1	1-1/2	85	A
2	20	50	XRTC2-48020050*	1-1/4	1-1/2	147	B
2	25	70	XRTC2-48025070*	1-1/4	1-1/2	147	B
3	50	100	XRTC3-48050100*	1-1/2	2	182	C
4	60	125	XRTC4-48060125*	2	2	225	D
4	75	150	XRTC4-48075150*	2	2	225	D
4	100	200	XRTC4-48100200*	3	3	225	D
5	125	250	XRTC5-48125250*	3	3	465	E
5	150	300	XRTC5-48150300*	3	3	465	E
5	200	400	XRTC5-48200400*	3	3	465	E

575 / 600 VOLT - 60 Hz - 3 Phase

NEMA SIZE	MAX H.P.	BREAKER AMPS	CATALOG NO.	CONDUIT STD. SIZE	CONDUIT MAX. SIZE	SHIPPING WT. (EST.)	ENCLOSURE SIZE
0	5	15	XRTC0-60005015*	1	1-1/2	85	A
1	7-1/2	20	XRTC1-60007020*	1	1-1/2	85	A
1	10	30	XRTC1-60010030*	1	1-1/2	85	A
2	15	40	XRTC2-60015040*	1-1/4	1-1/2	147	B
2	25	50	XRTC2-60025050*	1-1/4	1-1/2	147	B
3	30	70	XRTC3-60030070*	1-1/2	2	182	C
3	50	100	XRTC3-60050100*	1-1/2	2	182	C
4	75	125	XRTC4-60075125*	2	2	225	D
4	100	150	XRTC4-60100150*	3	3	225	D
5	150	250	XRTC5-60150250*	3	3	465	E
5	200	300	XRTC5-60200300*	3	3	465	E



Explosion-Proof Motor Starter Series

COMBINATION FULL VOLTAGE REVERSING MOTOR STARTERS WITH MAGNETIC ONLY (MCP) CIRCUIT BREAKER

230 / 240 VOLT - 60 Hz - 3 Phase

NEMA SIZE	MAX H.P.	BREAKER AMPS	CATALOG NO.	CONDUIT STD. SIZE	CONDUIT MAX. SIZE	SHIPPING WT. (EST.)	ENCLOSURE SIZE
0	1	7	XRMC0-24001007*	1	1-1/2	85	A
0	3	15	XRMC0-24003015*	1	1-1/2	85	A
1	7-1/2	30	XRMC1-24007030*	1	1-1/2	85	A
2	15	50	XRMC2-24015050*	1-1/4	1-1/2	147	B
3	30	100	XRMC3-24030100*	1-1/2	2	182	C
4	50	150	XRMC4-24050150*	3	3	225	D
5	100	400	XRMC5-24100400*	3	3	465	E

460 / 480 VOLT - 60 Hz - 3 Phase

NEMA SIZE	MAX H.P.	BREAKER AMPS	CATALOG NO.	CONDUIT STD. SIZE	CONDUIT MAX. SIZE	SHIPPING WT. (EST.)	ENCLOSURE SIZE
0	1	3	XRMC0-48001003*	1	1-1/2	85	A
0	3	7	XRMC0-48003007*	1	1-1/2	85	A
0	5	15	XRMC0-48005015*	1	1-1/2	85	A
1	7-1/2	15	XRMC1-48007015*	1	1-1/2	85	A
1	10	30	XRMC1-48010030*	1	1-1/2	85	A
2	15	30	XRMC2-48015030*	1-1/4	1-1/2	147	B
2	25	50	XRMC2-48025050*	1-1/4	1-1/2	147	B
3	30	50	XRMC3-48030050*	1-1/2	2	182	C
3	50	100	XRMC3-48050100*	1-1/2	2	182	C
4	100	150	XRMC4-48100150*	2	2	225	D
5	200	400	XRMC5-48200400*	3	3	465	E

575 / 600 VOLT - 60 Hz - 3 Phase

NEMA SIZE	MAX H.P.	BREAKER AMPS	CATALOG NO.	CONDUIT STD. SIZE	CONDUIT MAX. SIZE	SHIPPING WT. (EST.)	ENCLOSURE SIZE
0	1	3	XRMC0-60001003*	1	1-1/2	85	A
0	3	7	XRMC0-60003007*	1	1-1/2	85	A
0	5	15	XRMC0-60005015*	1	1-1/2	85	A
1	7-1/2	15	XRMC1-60007015*	1	1-1/2	85	A
1	10	30	XRMC1-60010030*	1	1-1/2	85	A
2	20	30	XRMC2-60020030*	1-1/4	1-1/2	147	B
2	25	50	XRMC2-60025050*	1-1/4	1-1/2	147	B
3	40	50	XRMC3-60040050*	1-1/2	2	182	C
3	50	100	XRMC3-60050100*	1-1/2	2	182	C
4	60	100	XRMC4-60060100*	2	2	225	D
4	100	150	XRMC4-60100150*	3	3	225	D
5	125	400	XRMC5-60125400*	3	3	465	E
5	200	400	XRMC5-60200400*	3	3	465	E

Explosion-Proof Motor Starter Series

COMBINATION FULL VOLTAGE REVERSING MOTOR STARTERS

ENCLOSURE ONLY ORDERING INFORMATION

To Order the Enclosure **ONLY** (Without Starter):

Use the enclosure **Catalog Number** in the chart below and insert a suffix (A=ABB, C=Cutler-Hammer, C/F for others) for the Starter Mfg.

Example: Part Number = **XRMC0-A**
(Full Voltage Reversing Combination Motor Starter; Size 0; machined for ABB Starter)
ENCLOSURE ONLY with all standard features

DIMENSIONAL INFORMATION - COMBO FULL VOLTAGE REVERSING STARTERS WITH THERMAL-MAGNETIC CIRCUIT BREAKER

ENCLOSURE CAT NO.	ENCL.	INSIDE DIMS.	A	B	C	D	E	F	G	H	J	K	L	WT.
XRTC0-*	A	12 x 18 x 4	17.00	23.00	7.50	18.00	14.13	15.75	1/2	2.63	4.00	17.81	9.25	110
XRTC1-*	A	12 x 18 x 4	17.00	23.00	7.50	18.00	14.13	15.75	1/2	2.63	4.00	17.81	9.25	110
XRTC2-*	B	12 x 18 x 6	17.00	23.00	9.50	18.00	14.13	15.75	1/2	3.63	4.00	17.81	11.25	125
XRTC3-*	C	16 x 24 x 8	21.13	29.13	11.88	23.00	18.38	19.75	5/8	4.63	6.00	21.94	13.63	210
XRTC4-*	D	18 x 30 x 8	23.13	35.13	11.88	25.00	23.00	21.75	5/8	4.75	7.00	23.94	13.63	285
XRTC5-*	E	24 x 36 x 8	30.00	42.00	12.56	31.00	29.00	28.00	5/8	5.50	10.00	31.13	14.31	490

DIMENSIONAL INFORMATION - COMBO FULL VOLTAGE REVERSING STARTERS WITH MAGNETIC ONLY CIRCUIT BREAKER (MCP)

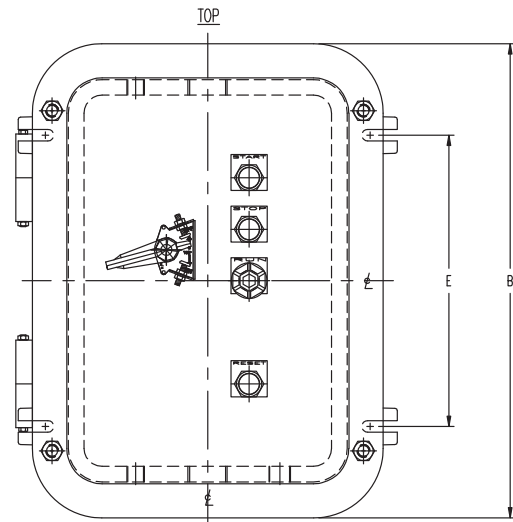
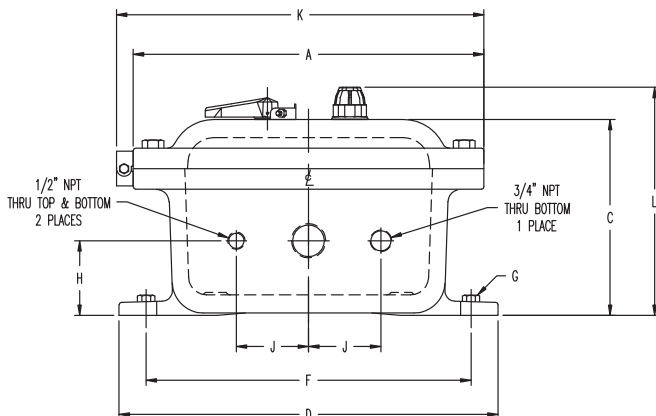
ENCL. CAT NO.	ENCL.	INSIDE DIMS.	A	B	C	D	E	F	G	H	J	K	L	WT.
XRMC0-*	A	12 x 18 x 4	17.00	23.00	7.50	18.00	14.13	15.75	1/2	2.63	4.00	17.81	9.25	110
XRMC1-*	A	12 x 18 x 4	17.00	23.00	7.50	18.00	14.13	15.75	1/2	2.63	4.00	17.81	9.25	110
XRMC2-*	B	12 x 18 x 6	17.00	23.00	9.50	18.00	14.13	15.75	1/2	3.63	4.00	17.81	11.25	125
XRMC3-*	C	16 x 24 x 8	21.13	29.13	11.88	23.00	18.38	19.75	5/8	4.63	6.00	21.94	13.63	210
XRMC4-*	D	18 x 30 x 8	23.13	35.13	11.88	25.00	23.00	21.75	5/8	4.75	7.00	23.94	13.63	285
XRMC5-*	E	24 x 36 x 8	30.00	42.00	12.56	31.00	29.00	28.00	5/8	5.50	10.00	31.13	14.31	490

The Enclosure Weight is without transformer

G: Standard Mounting Bolt Diameter

WT: Approximate Shipping Weight (lb.) without skid / pallet

Note: Alternate sizes available, consult factory



Note: See chart on previous page(s) for Std. / Max. Conduit Size



Explosion-Proof Manual Motor Starter Series



CXI* Series.....pg. 148-149
Manual Motor Starters

X
P
M
O
T
O
R
S
T

Explosion-Proof Manual Motor Starter Series

“Call Akron Electric for all of your Motor Starter needs. You can trust us to provide a great product with a lead time that challenges the entire industry.”

Features:

- All Enclosures are available with NEMA 4 O-Ring
- Suitable for surface mounting
- Light weight corrosion-resistant copper-free aluminum
- Attractive wheelabraste finish
- Durable Mounting Feet and easily accessible ground screw
- ABB & Sprecher + Schuh Starters (Optional)
(with C8 - Custom Circuit Breaker Handle)
- Mini Push Button Manual Motor Starters available with Cutler Hammer starter
- Available to use with Mini Pilot Device Series (1" center to center)

Materials:

- Enclosures: Copper-free Aluminum (less than 0.25% copper)
- Cover Bolts: Cad-Plated or Stainless Steel (Please Specify)
- Mounting Pan (Opt.): Aluminum, Galvanized Steel, or Phenolic Materials (Please Specify)
- Din-Rail: Aluminum

*Note: Aluminum Mounting Pan will be provided if mounting pan is requested, unless otherwise noted.



Certificate
Number
03.059.1

ISO
9001 With Design

Approvals:

- UL CLASSIFIED - Standard 886 - E94590
- cUL (CXI 4 Series) - Standard C22.2 No. 30-M1986 and No. 25-1966
- CSA Certified (CXI 3 Series) - Standard C22.2 No. LR64264

Compliances:

- N.E.C. - Class. I, Div. 1 & 2 Groups B*, C & D
- Class. II, Div. 1 & 2 Groups E, F & G
- Class. III
- NEMA 7 & 9 (Optional 3, 4X)

*Note - CXI484 only

Applications:

Designed for environments where explosion-proof equipment is required

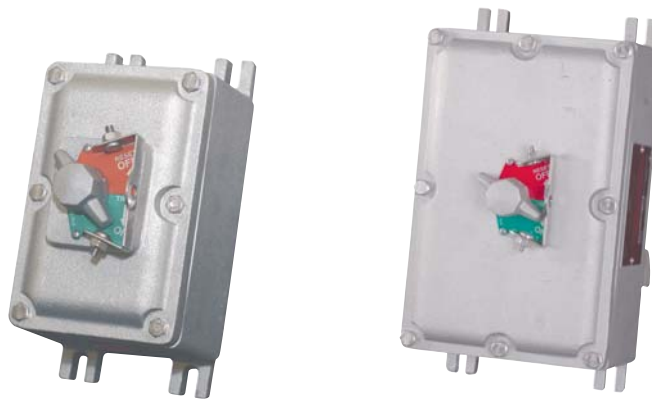
Manual Motor Starter is required / requested

When space constraints exist

X
P
M
O
T
O
R
S
T



Explosion-Proof Manual Motor Starter Series



CXI-Manual Motor Starter Dimensions

Catalog Number	Nominal Inside Dimensions			Dimensions In Inches					Est. Lbs.	Std. Conduit Size	Mtg. Bolt Size
	W	L	D	A	B	C	F	E			
CXI 363-MOD	3-1/2	6	3	7-1/16	4-9/16	4-1/2	8	3-1/4	6	3/4"	1/4"
CXI 484	4-1/4	8	4	10-29/64	6-45/64	5-5/8	11-1/2	5-1/4	19	3/4"	1/4"

** - CXI484 does not have "cast pad" on cover. This enclosure is designed for:
Cutler Hammer: p/n XTPR-B & Allen Bradley: B 140M-C2 series
Also suitable for ABB & Sprecher + Schuh starters; C/F for other manufacturers

Add the suffix "-C8" for custom c.b. handle (then "-(mfg. suffix)" for the specified mfg. of starter)

Mfg. Suffixes For Motor Starter Mfg:

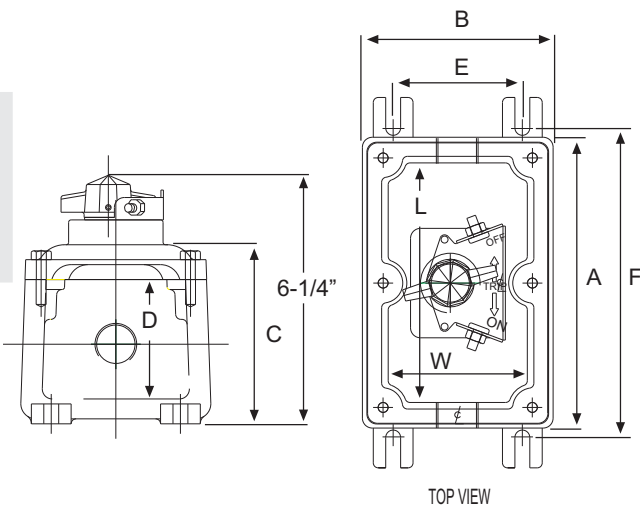
A = ABB

AB = Allen Bradley

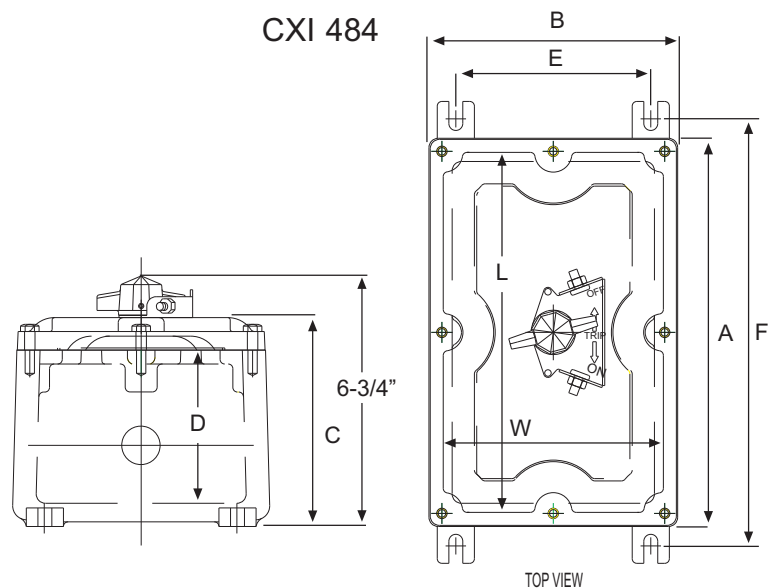
C = Cutler Hammer (To use mini push button Manual Motor Starter)

S = Sprecher + Schuh

CXI 363-MOD



CXI 484



Explosion-Proof Manual Motor Starter Series

MODIFICATIONS FOR BREAKERS, STARTERS & COMBO STARTERS

SUFFIX	OPERATION	CATALOG NUMBER	DESCRIPTION
2BD	Breather and Drain	2BD	(1) Breather & (1) Drain (Unless otherwise noted)
XPBS-FGA	Start	XPBS-FGA	Green Momentary Push Button (N.O.)
XPBS-ERB	Stop	XPBS-ERB	Red Momentary Push Button (N.C.)
XPDBS-FGERC	Start - Stop	XPDBS-FGERC	Dual Momentary Push Button (N.O. - N.C.)
XPMHS-RB	E-Stop	XPMHS-RB	Red Mushroom Momentary Push Button (N.C.)
XPPPS-2RE	E-Stop	XPPPS-2RE	Red Mushroom Maintained Push Button (N.C.L.B.)
XPBS-FBA	Blank (Specify)	XPBS-FBA	Black Momentary Push Button (N.O.)
XPBS-FBB	Blank (Specify)	XPBS-FBB	Black Momentary Push Button (N.C.)
E1		E1	Corrosion-Resistant Epoxy Paint (Outside only)
E2		E2	Corrosion-Resistant Epoxy Paint (Inside & Outside)
E3		E3	Stainless Steel (316) Captive Quick Thread cover bolts
K			Terminal Block, 600 V, 30 AMP Std. (Specify Qty.)
N1		N1	Aluminum Mounting Pan
N2		N2	Galvanized Mounting Pan
N3		N3	Phenolic Mounting Pan
N4		N4	NEMA 4 O-ring Gasket
N6		N6	Metallic Legend Plate
N7		N7	Phenolic Legend Plate
N8		N8	Custom Legend Plate (Anodized, Stainless Steel)
OL			Over-Load Relay Heaters (Set of 3). Specify FLC
XPL*B- * (Voltage) (Color)		See Pgs. 87-91	Pilot Lights : Full Voltage - Pigtail Style, Saddle Clamp, Transformer Type, Illuminated Push Button
R2		XPPMS-*	Potentiometer - Single Turn (Specify Ohms)
R3			3/4" NPSM Close-up Plug
R4			Industrial Relay
R5			Under Voltage Relay
R6			Time Delay Relay
R7			Space Heater (Includes N.C. Auxiliary Contact)
XPLSB-TT(Voltage)G		XPLSB-TT(Voltage)G	Green Stop Light (Includes N.C. Auxiliary Contact)
XP2-SSC	Off-On	XP2-SSC	2-Position Selector Switch, Maintained
XP2-RSC	Blank (Specify)	XP2-RSC	2-Position Selector Switch, Spring Returned From Left
XP2-LSC	Blank (Specify)	XP2-LSC	2-Position Selector Switch, Spring Returned From Right
XP3-SSC	Hand-Off-Auto	XP3-SSC	3-Position Selector Switch, Maintained
XP3-RSC	Blank (Specify)	XP3-RSC	3-Position Selector Switch, Spring Returned From Left
XP3-LSC	Blank (Specify)	XP3-LSC	3-Position Selector Switch, Spring Returned From Right
XP3-CSC	Blank (Specify)	XP3-CSC	3-Position Selector Switch, Spring Returned From Both
XPK2-SSLC	Blank (Specify)	XPK2-SSLC	2-Position Selector Switch, Key Operated
XPK3-SSLC	Blank (Specify)	XPK3-SSLC	3-Position Selector Switch, Key Operated
T+			C.P.T., (480/240 to 120) Including (2) Primary & (1) Secondary Fuses (NEC)
T0			50 VA Transformer
T1			75 VA Transformer
T2			100 VA Transformer
T3			150 VA Transformer
T4			200 VA Transformer
T5			250 VA Transformer
T6			300 VA Transformer
T7			500 VA Transformer
T8			750 VA Transformer
X1		2003ABB	Auxiliary Contact (N.O.)
X2		2003AAB	Auxiliary Contact (N.C.)
X3		2003ACB	Auxiliary Contact (N.O. - N.C.)
X4		2003ABB	Auxiliary Contact For Alarm (N.O.)



Explosion-Proof Fittings Series



● **AXC Series.....pgs. 152-153**
Conduit Outlet Boxes

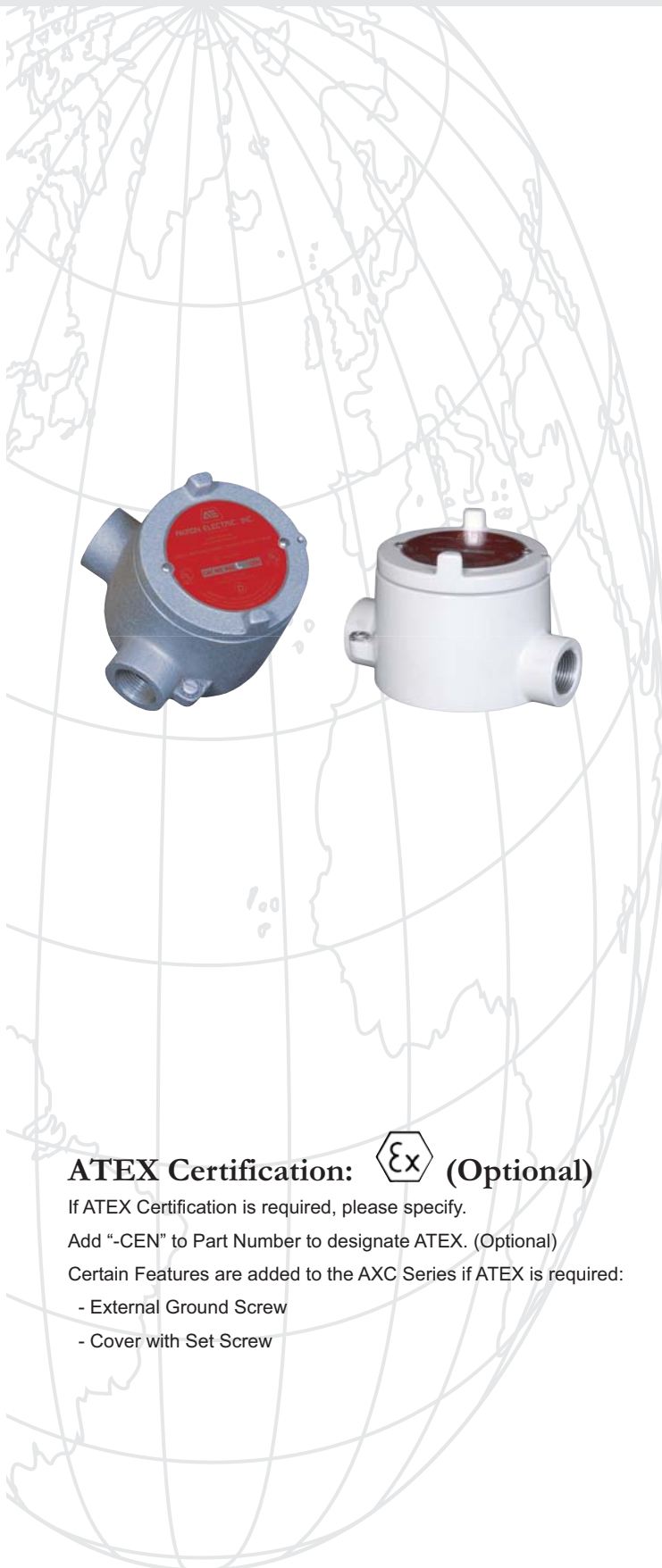
● **GR Series.....pgs. 154-155**
Conduit Outlet Bodies

● **EYS Series.....pgs. 156-157**
Sealing Fittings

● **TU Series.....pg. 158**
Conduit Unions

● **XBD-50 Series.....pg. 159**
Breather / Drain

Explosion-Proof Conduit Outlet Boxes “AXC Series”



“Akron Conduit Fittings are your best source for a high-quality product at a great price.”

Features:

- Eight different Hub Arrangements available
- Tapered threaded hubs to provide ground continuity
- Smooth integral hub bushing to protect conductor insulation when pulling
- Threaded cover openings
- Surface covers furnished with boxes
- Neoprene O-Ring gasket and ground screw standard
- Light Weight corrosion resistant copper-free aluminum
- Attractive sandblast finish

Applications:

- Provide protection against explosion in Hazardous Areas
- Provide access for maintenance
- Change conduit direction
- Connect Lengths of conduit
- Use for pulling or splicing of wire



Certificate
Number
03.059.1

**ISO
9001 With Design**

Approvals:

- UL & cUL - File No. 94590
- ATEX - File No. 97D.122602U, ExdIIC, IP66

Compliances:

- Class I, Div. 1 & 2, Groups A, B, C & D
- Class II, Div 1 & 2, Groups E, F & G
- Class III
- NEMA 4, 7 & 9

ATEX Certification: (Optional)

If ATEX Certification is required, please specify.

Add “-CEN” to Part Number to designate ATEX. (Optional)

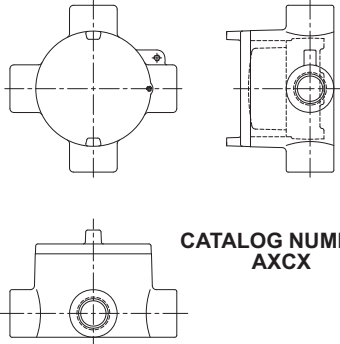
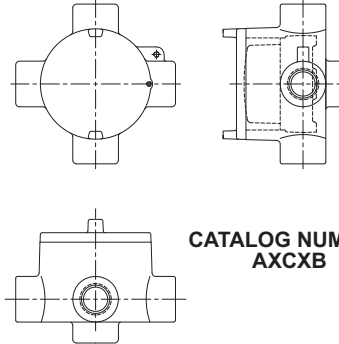
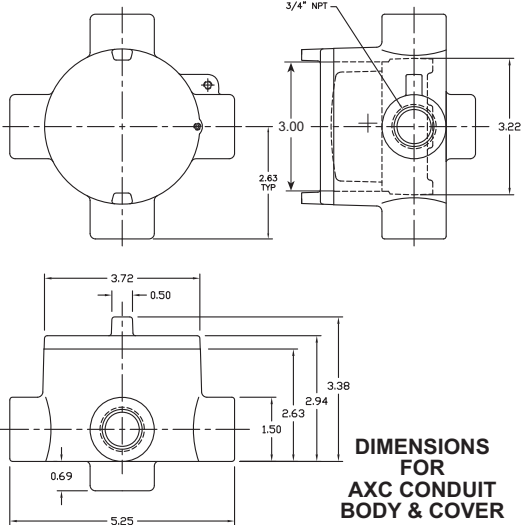
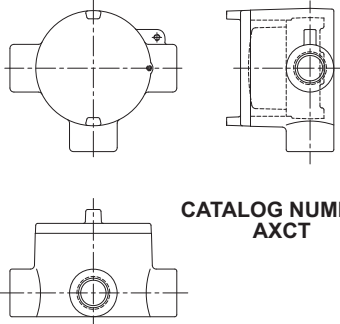
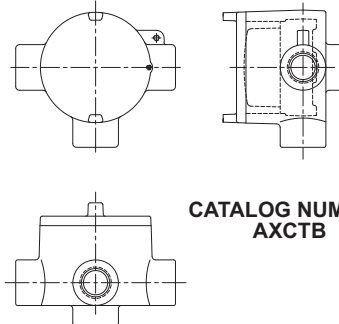
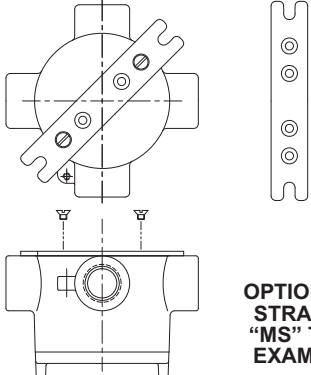
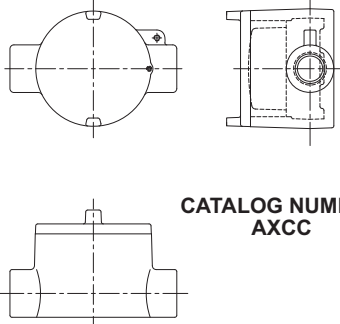
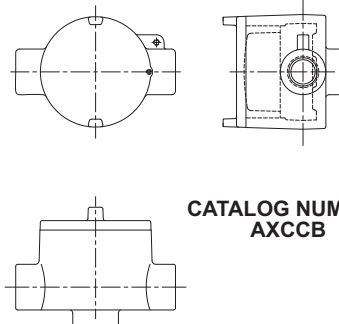
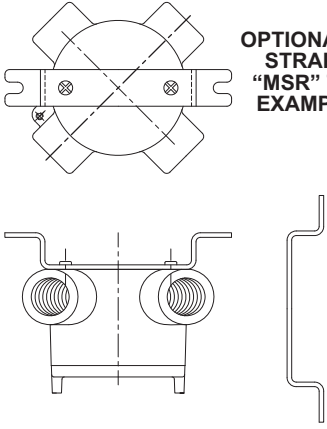
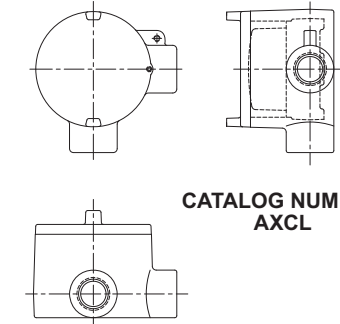
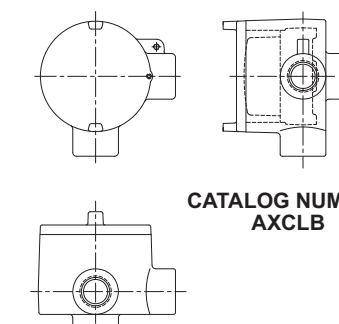
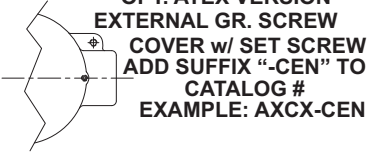
Certain Features are added to the AXC Series if ATEX is required:

- External Ground Screw
- Cover with Set Screw





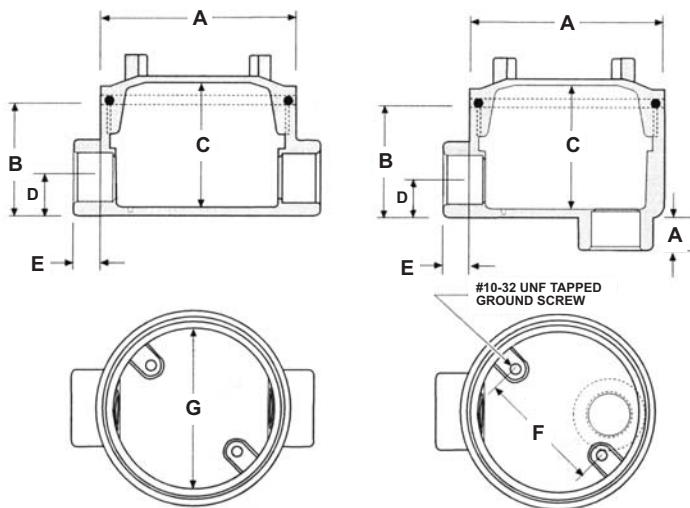
Explosion-Proof Conduit Outlet Boxes "AXC Series"

 <p>CATALOG NUMBER AXCX</p>	 <p>CATALOG NUMBER AXCXB</p>	 <p>DIMENSIONS FOR AXC CONDUIT BODY & COVER</p>
 <p>CATALOG NUMBER AXCT</p>	 <p>CATALOG NUMBER AXCTB</p>	 <p>OPTIONAL FLAT MTG. STRAP ADD SUFFIX "MS" TO CATALOG # EXAMPLE: AXCXMS</p>
 <p>CATALOG NUMBER AXCC</p>	 <p>CATALOG NUMBER AXCCB</p>	 <p>OPTIONAL RAISED MTG. STRAP ADD SUFFIX "MSR" TO CATALOG # EXAMPLE: AXCXMSR</p>
 <p>CATALOG NUMBER AXCL</p>	 <p>CATALOG NUMBER AXCLB</p>	 <p>OPT. ATEX VERSION EXTERNAL GR. SCREW COVER w/ SET SCREW ADD SUFFIX "-CEN" TO CATALOG # EXAMPLE: AXCX-CEN</p>

X P F I T T I N G S

Explosion-Proof Conduit Outlet Bodies "GR Series"

"Akron Conduit Fittings are your best source for a high-quality product at a great price - Manufactured under International Standards."



Features:

- Diecast Aluminum produced at high pressure in permanent molds
- Compressed Aluminum with porosity control
- 11 models with 1, 2, 3, 4 and 5 hubs
- Explosion-Proof of ethyl ether, ethylene, hydrogen*, butane, propane, methane, gasoline, etc.
- Provide access to conductors for maintenance and future system changes
- Acts as a pull and splice box
- Provides for change in conduit direction
- Electrostatic powder coating to reinforce the natural endurance against corrosion
- Smooth conduit stop in each hub to protect conductor insulation
- Ground Screw included
- O-Ring included to prevent humidity - Meets NEMA 4 requirements
- Threaded joint in body and cover are precision machined to allow internal gas to be dissipated and cooled
- Two mounting means for electrical fixtures
- Copper-free aluminum
- "NPT" threads for rigid conduit
- Mounting Strap available (optional)



Certificate Number 03.059.1

ISO 9001 With Design

Approvals:

- UL CLASSIFIED - Standard 886 - E94590
- CSA Certified (Canada) - Standard C22.2 No. 30-M1984 - LR64264

Compliances:

- N.E.C. - Class. I, Div. 1 & 2 Groups B*, C & D
- Class. II, Div. 1 & 2 Groups E, F & G
- Class. III
- NEMA 3, 4, 7 & 9
- * = Group B authorized only by CSA

Dimensions

TRADE SIZE	DIMENSIONS (INCHES)						
	A	B	C	D	E	F	G
1/2" (12.7mm)	3.64	2.10	2.21	.70	.45	2.28	3.27
3/4" (19.0mm)	3.64	2.10	2.21	.70	.45	2.28	3.27
1" (25.4mm)	3.64	2.5	2.61	.94	.58	2.28	3.27
1-1/4" (31.8mm)	5.76	3.81	3.85	1.22	.77	3.97	5.00
1-1/2" (38.1mm)	5.76	3.81	3.85	1.22	.77	3.97	5.00
2" (50.8mm)	5.76	4.25	4.24	1.51	.80	3.97	5.00



Explosion-Proof Conduit Outlet Bodies

1 HUB



HUB SIZE	PART NUMBER
1/2"	GRE-0447
3/4"	GRE-0448
1"	GRE-0582
1 1/4"	GRE-0587
1 1/2"	GRE-0598
2"	GRE-0603

2 HUB



HUB SIZE	PART NUMBER
1/2"	GREZ-0466
3/4"	GREZ-0467
1"	GREZ-0583
1 1/4"	GREZ-0588
1 1/2"	GREZ-0599
2"	GREZ-0604

2 HUB



HUB SIZE	PART NUMBER
1/2"	GRC-0443
3/4"	GRC-0444
1"	GRC-0556
1 1/4"	GRC-0589
1 1/2"	GRC-0561
2"	GRC-0580

3 HUB



HUB SIZE	PART NUMBER
1/2"	GRCZ-0464
3/4"	GRCZ-0465
1"	GRCZ-0557
1 1/4"	GRCZ-0590
1 1/2"	GRCZ-0563
2"	GRCZ-0581

2 HUB



HUB SIZE	PART NUMBER
1/2"	GRL-0439
3/4"	GRL-0440
1"	GRL-0546
1 1/4"	GRL-0591
1 1/2"	GRL-0558
2"	GRL-0576

3 HUB



HUB SIZE	PART NUMBER
1/2"	GRLZ-0460
3/4"	GRLZ-0461
1"	GRLZ-0573
1 1/4"	GRLZ-0592
1 1/2"	GRLZ-0574
2"	GRLZ-0577

3 HUB



HUB SIZE	PART NUMBER
1/2"	GRT-0441
3/4"	GRT-0442
1"	GRT-0547
1 1/4"	GRT-0593
1 1/2"	GRT-0559
2"	GRT-0578

4 HUB



HUB SIZE	PART NUMBER
1/2"	GRTZ-0462
3/4"	GRTZ-0463
1"	GRTZ-0555
1 1/4"	GRTZ-0594
1 1/2"	GRTZ-0560
2"	GRTZ-0579

4 HUB



HUB SIZE	PART NUMBER
1/2"	GRX-0449
3/4"	GRX-0450
1"	GRX-0585
1 1/4"	GRX-0595
1 1/2"	GRX-0601
2"	GRX-0606

5 HUB



HUB SIZE	PART NUMBER
1/2"	GRXZ-0468
3/4"	GRXZ-0469
1"	GRXZ-0586
1 1/4"	GRXZ-0596
1 1/2"	GRXZ-0602
2"	GRXZ-0607

2 HUB



HUB SIZE	PART NUMBER
1/2"	GRB-0445
3/4"	GRB-0446
1"	GRB-0584
1 1/4"	GRB-0597
1 1/2"	GRB-0600
2"	GRB-0605

Explosion-Proof Sealing Fittings “EYS Series”

“Akron Conduit Fittings are your best source for a high-quality product at a great price.”

Features:

Restricts the passage of gases, vapors, liquids, dust and flames from one portion of the electric installation to another at atmospheric pressure and normal ambient temperatures.

For use with rigid and IMC conduit

NPT threads for correct adjustment and sealed to insure ground continuity

Electrostatic powder coating to reinforce the natural endurance against corrosion

“DIE CAST” copper-free aluminum with porosity control produced at high pressure in permanent molds.

Required where cables (which exceed rate of gas or vapor transmission permitted for seals) are used in Class I, Division 2 locations

Required in Class I, Division 1 & 2 locations at the boundary where conduit leaves classified location.

Rain-tight construction



Certificate
Number
03.059.1

ISO
9001 With Design

Approvals:

UL CLASSIFIED - Standard 886 - E208115

CSA Certified (Canada) - Standard C22.2 No. 30-M1984 - LR64264

Compliances:

N.E.C. - Class. I, Div. 1 & 2 Groups A*, B*, C & D;

Class. II, Div. 1 & 2 Groups E, F & G

Class. III, Div. 1 & 2

* = Group A & B authorized only by CSA

Versatile Option:

Removable NIPPLE that turns seal into male thread



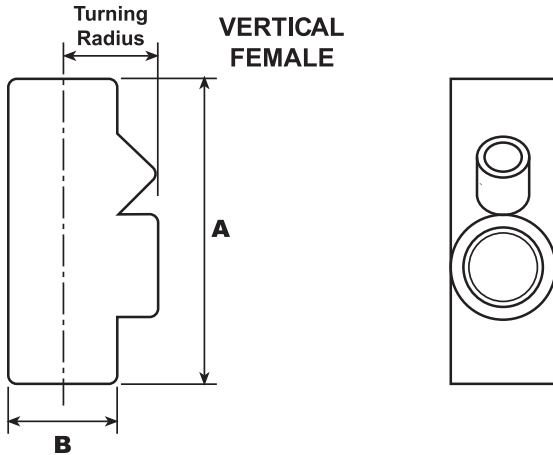
**Vertical Female
or
Horizontal Female**

Hub Sizes Available
1/2", 3/4", 1", 1-1/4", 1-1/2" & 2"

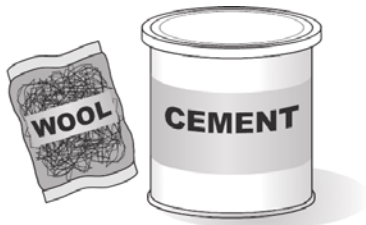
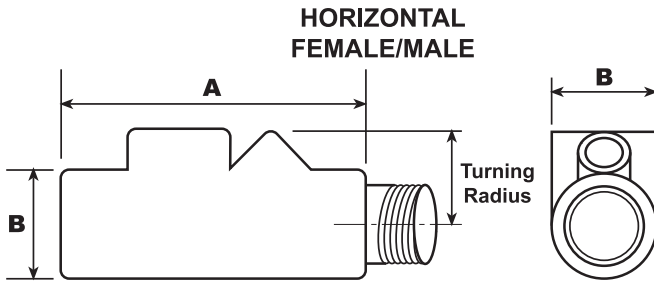




Explosion-Proof Sealing Fittings



Hub Size - NPT	Inches		
	A	B	Turning Radius
1/2"	3.82"	1.33"	1.26"
3/4"	3.82"	1.33"	1.26"
1"	4.25"	2.09"	1.46"
1-1/2"	5.51"	2.28"	2.12"
2"	5.98"	2.91"	2.32"



Sealing Cement

Features:

Akron Electric Sealing Cement is used to avoid the passage of gases, vapors or flames from one electrical installation to another at normal atmospheric pressure and temperature. It expands slightly to form a hermetic seal. It is also resistant to solvents, acids, water and oil.

The mineral wool is used to form a dam that prevents drainage into the conduit when cement is poured into the seal.

Sealing Cement & Packing Fiber shipped standard with fittings; if extra is needed - consult factory (P/N: CE-2571 2 lb. Can)

Instructions:

Fittings are to be installed within 6" of a device that produces sparks, arcs or high temperature.

The thickness of the sealing compound shall not be less than the trade size of a conduit and in no case less than 5/8".

Specifications are subject to change.

EQUIVALENCE TABLE

Figure	Hub Size	Akron Electric catalog	OZ Gedney catalog	Appleton catalog	Crouse Hinds catalog	Killark catalog	Adalet catalog
	1/2" NPT	EYS-0452	EYA-50	EYF-50 AL	EYS-11	ENY-1	XYB-2
		EYS-0452-N	EYAM-50	EYM-50 AL	EYS-116	ENY-1-T	EYBM-2
	3/4" NPT	EYS-0453	EYA-75	EYF-75 AL	EYS-21	ENY-2	XYB-3
		EYS-0453-N	EYAM-75	EYM-75 AL	EYS-216	ENY-2-T	XYBM-3
	1" NPT	EYS-0550	EYA-100	EYF-100 AL	EYS-31	ENY-3	XYB-4
		EYS-0550-N	EYAM-100	EYM-100 AL	EYS-316	ENY-3-T	XYBM-4
	1-1/4" NPT	EYS-2633	EYA-125	EYF-125 AL	EYS-41	ENY-4	XYB-5
		EYS-2633-N	EYAM-125	EYF-125 AL	EYS-416	ENY-4-T	XYBM-5
	1-1/2" NPT	EYS-2634	EYA-150	EYF-150 AL	EYS-51	ENY-5	XYB-6
		EYS-2634-N	EYAM-150	EYM-150 AL	EYS-516	ENY-5-T	XYBM-6
	2" NPT	EYS-2635	EYA-200	EYF-200 AL	EYS-61	ENY-6	XYB-8
		EYS-2635-N	EYAM-200	EYM-200 AL	EYS-616	ENY-6-T	XYBM-8

Explosion-Proof Conduit Unions

“Akron Conduit Unions are your best complement for seals & fittings manufactured with high-quality and the best lead times in the industry.”

Features:

Conduit Unions are best used to connect conduit to conduit fittings to allow disassembly without turning the conduit.

Diecast copper-free aluminum

Matching grooves to have a perfect seal

NPT threaded for use with RIGID conduit

Precision threads assure ground continuity

Electrostatic powder epoxy/polyester coating

Hex design



Certificate
Number
03.059.1

**ISO
9001 With Design**

Approvals:

UL CLASSIFIED - Standard 886 - E208115

CSA Certified (Canada) - Standard C22.2 No. 30-M1984 - LR64264

Compliances:

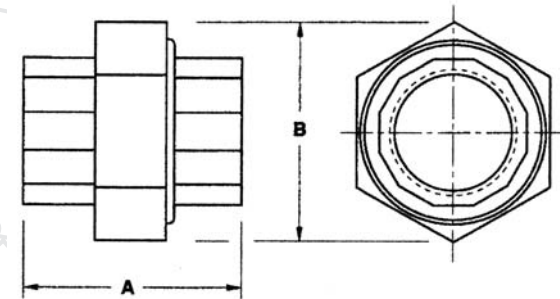
Class. I, Div. 1 & 2 Groups C & D

Class. II, Div. 1, Groups E, F & G

Class. II, Div. 2, Groups F & G

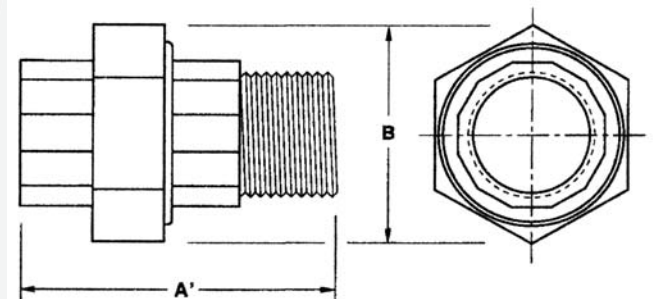
Class. III

NEMA 7 - C & D, 9 - E, F & G



FEMALE CONDUIT UNION

CATALOG NO.	NOMINAL SIZE	LENGTH A	OUTSIDE B
	inches	inches	inches
TU-2992	1/2	1.73	2.00
TU-2993	3/4	1.73	2.20
TU-2994	1	2.04	2.44
TU-2995	1-1/4	2.20	3.03
TU-2996	1-1/2	2.38	3.27
TU-2997	2	2.77	4.06



MALE CONDUIT UNION

CATALOG NO.	NOMINAL SIZE	LENGTH A	OUTSIDE B
	inches	inches	inches
TU-2992-N	1/2	3.03	2.00
TU-2993-N	3/4	3.03	2.20
TU-2994-N	1	3.58	2.44
TU-2995-N	1-1/4	3.90	3.03
TU-2996-N	1-1/2	4.17	3.27
TU-2997-N	2	4.65	4.06



Explosion-Proof Breather / Drain Series

XBD-50 BREATHER/DRAIN CONDUIT FITTING

Conduit Fitting for Hazardous Location 35BN



BREATHER



DRAIN

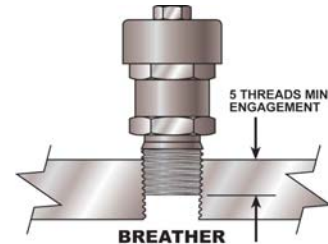


LR64624



35BN

FILE NO. E208115



FEATURES:

- The **XBD-50** is a thread-in-thread design for a conduit hole size of 1/2" NPT and is for use in Class I, Division 1 & 2, Groups A, B, C & D; Class II, Division 1 & 2, Groups E, F & G; Class III areas; as well as NEMA 3R for out door use. The capability of the XBD-50 is to pass 0.02 cubic feet of air per minute and 0.7cc of water per minute. Criteria measured at atmospheric pressure (14.7 lbs.)
- Made of stainless steel for corrosive applications.

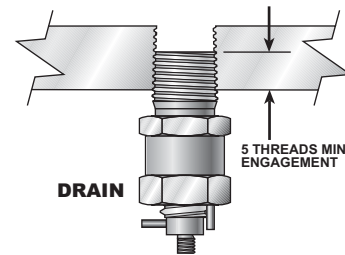
APPLICATION:

- **XBD-50** breather and drains are installed in enclosures or conduit systems to:
 - Provide ventilation to minimize condensation.
 - Drain accumulated condensation.
- At least one breather should be installed with each drain.
- Breathers (vents), are installed in the top of enclosures to provide ventilation to minimize condensation in enclosures.
- Drains are installed in bottom's of enclosures or conduit systems. Drains are used in environments of humid atmospheres or wet locations where it is likely or possible that water can gain entrance to the interiors of enclosures. The conduit entryways should be positioned so that no water may collect in enclosures or seals, but may exit out through the XBD-50 through a low point within the enclosure.

INSTALLATION:

Breather

- Insert the threaded end of the **XBD-50** into the 1/2" NPT thru hole located on the top/front back/side of enclosure.
- Securely tighten in place.
- Frequently, twist cap counter-clockwise 180 and then clockwise 180 several times to break-up possible clogging and build-up of dust particles on breather threads. For normal applications, this procedure is a service recommended monthly for maintenance purposes.



Drain

- Remove nut by, using 7/16" wrench or socket, located above cap.
- Remove cap and fiber washer from XBD-50 insert.
- Insert the threaded end of the XBD-50 into the 1/2" NPT thru hole located on the bottom of enclosure only.
- Securely tighten in place.
- Frequently, twist insert counter-clockwise 180 and then clockwise 180 several times to break up possible clogging and build up of dust particles on drain threads. For normal applications, this procedure is a service recommended monthly for maintenance purposes.

Quality Aluminum Castings Akron Foundry Company



Akron Foundry Company
2728 Wingate Ave.
Akron, OH 44314
330-745-3101, 330-745-7999 - fax
www.akronfoundry.com

*Servicing the Aluminum Foundry Industry
Since 1950*



Akron Foundry - Plant 1
2728 Wingate Ave.



Akron Foundry - Pattern Shop - Plant 2
2705 Wingate Ave.



Akron Electric - Plant 3
1025 Eagon St.



Akron Foundry - Plant 4
1434 Waterloo Rd.

Akron Foundry Company is a fully self-contained aluminum foundry that produces aluminum products in permanent mold, low-pressure permanent mold, squeezer-mold and sand castings. The company also includes its own production assembly, core making process, pattern making process, mold shops, heat treating and quality control. Quality control includes X-Ray, spectograph, 3-Axis Layout, and destructive testing procedures.

Akron Foundry is the parent company to Akron Electric, Inc. and provides quality aluminum enclosures to Akron Electric to service the Explosion-Proof industry. The company was built on many generations of family-oriented employees. All of the companies in the Akron Foundry Co. portfolio pride themselves on being extremely customer oriented, safety oriented and driven by the quality of the products that we manufacture.

The core product line for Akron Foundry Co. includes the Breakaway Transformer Bases that are used across the U.S. for highway lighting. The main advantage of these bases include the ability to create a safe environment for drivers by allowing the light poles to "Break Away" when hit. This feature increases passenger safety and extends pole life.

In addition to the Breakaway Transformer Bases, the foundry also produces many other products including different types of highway lighting bases, a multitude of aluminum parts for the trucking industry, a support structure for the PET scan and CAT scan industries, enclosures for the explosion-proof industry and other various aluminum parts and products.

We appreciate your interest in our company and we give thanks to the many customers that have supported us throughout the years of our company's existence; and most of all to our dedicated employees who make our products and company so successful in the market place.

*Sincerely,
The Akron Foundry Co.
Management & Employees*



X
P
F
I
T
T
I
N
G
S



AKRON ELECTRIC, INC. EXPLOSION-PROOF ENCLOSURES

A Division of the Akron Foundry Company - Quality Aluminum Castings since 1950
Sand, Permanent Mold & Low Pressure Permanent Mold

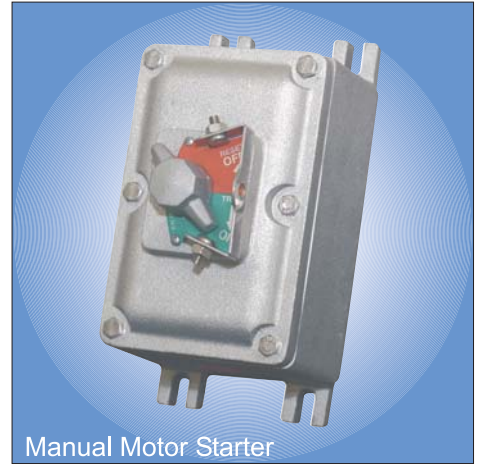
Customized Products for Specialized Needs



CXJ 34x68x10



CXJ Series Control Station



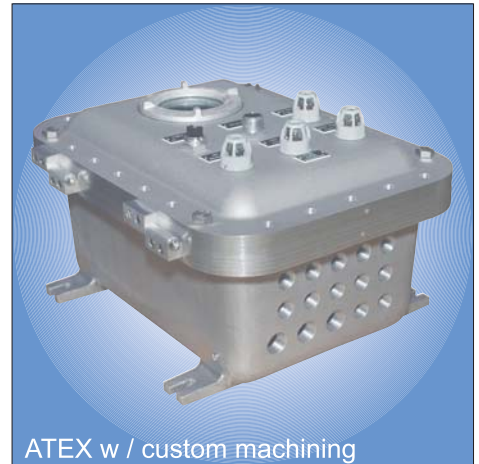
Manual Motor Starter



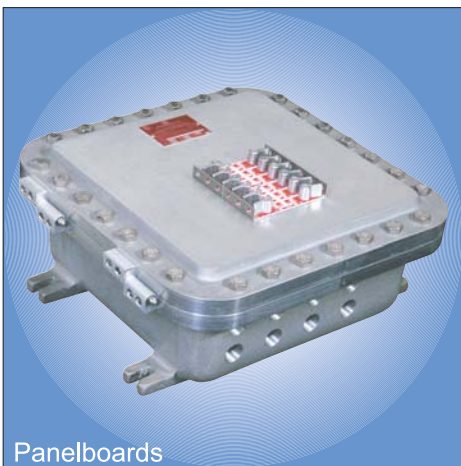
Combination Motor Starter



Fused / Non-Fused Disconnects



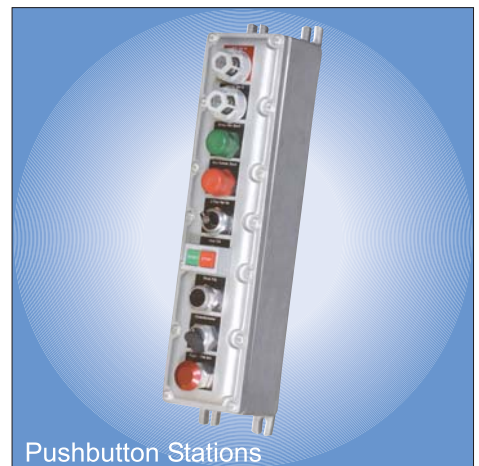
ATEX w / custom machining



Panelboards



Custom Windows



Pushbutton Stations

Note: The information in this catalog is subject to change at any time. All dimensions and drawings are for reference only. AKRON ELECTRIC is not responsible for any errors within this catalog. All data, images, drawings, dimensions, etc. were provided with the best information available at the time of the creation of this piece of literature and is being provided to the market in good faith.

Akron Electric, Inc.

1025 Eagon Street Barberton, Ohio 44203 Ph: 330-745-8891 Fax: 330-745-2504
www.akronelectric.com e-mail: sales@akronelectric.com